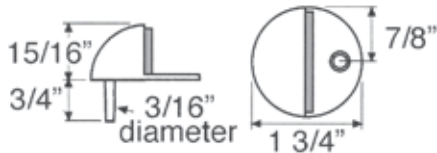


Floor Stops

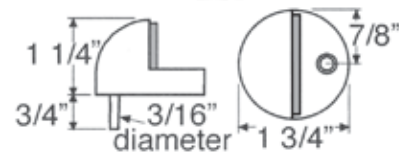
SH436

Low Dome Stop



SH438

High Dome Stop



Features:

- SH436 -1/4" Rise x 1" Low Dome Stop.
- SH438 -1/2" Rise x 1-1/4" High Dome Stop.
- All Floor Stops are Cast Brass
- Stops Individually wrapped with Mounting Screws.
- Polybagged with: 1 Plastic Anchor
1 Sheet Metal Screw
1 Lead Anchor

Stocked Product

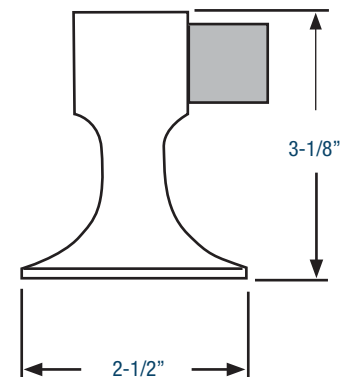
Item	Finish
SH436	US3, 10B, 15, 26, 26D
SH438	US3, 10B, 15, 26, 26D

Features:

- SH444 -3-1/8" High Floor Stop.
- Solid Cast Brass.
- Stops Individually wrapped with Mounting Screws.
- Polybagged with: 1 Plastic Anchor
1 Sheet Metal Screw
1 Lead Anchor

SH444

Floor Mount Stop



Specifications:

Stops -Stops shall be by Doormerica model number SH444 and made from solid cast brass. All stops to be provided with steel Phillips sheet metal screws plated to match finish. Each Stop shall be individually wrapped with mounting screws.

Stocked Product

Item	Finish
SH444	US3, 10B, 26, 26D