

Doormerica

Door Holders



SH1135

Drop Down Door Holder

Stocked Product

Item	Finish
SH1135	Duro

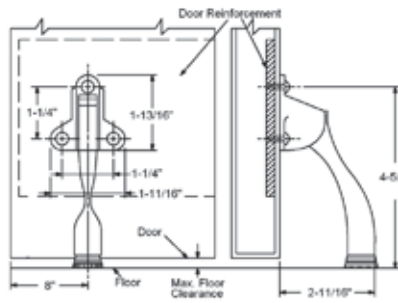
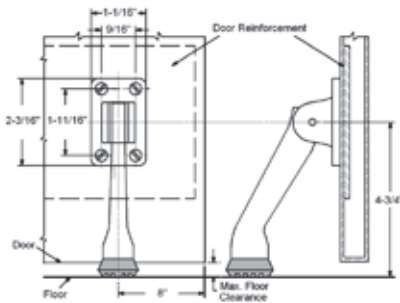


SH1235BR

Drop Down Door Holder

Stocked Product

Item	Finish
SH1235BR	US3, 10B, 26D



Features:

- SH1135 - 5" Cast Alloy Holder.
- SH1235BR - 5" Cast Brass Holder.
- Stops individually wrapped with mounting screws.
- Polybagged with 3 or 4 sheet metal screws.

Wall Stops

SH401

Concave Wall Stop



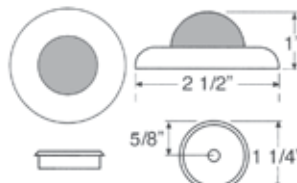
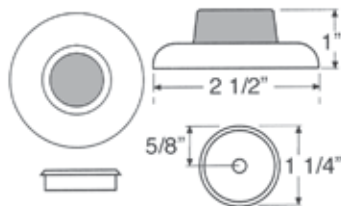
SH406

Convex Wall Stop



Features:

- SH401 - Concave Wall Stop.
- SH406 - Convex Wall Stop.
- All Wall Stops Are Wrought Steel.
- Stops Individually Wrapped With Mounting Screws.
- Polybagged With: 1 Plastic Anchor
1 Sheet Metal Screw



Stocked Product

Item	Finish
SH401	US3, 10B, 15, 26, 26D
SH406	10B, 15, 26D