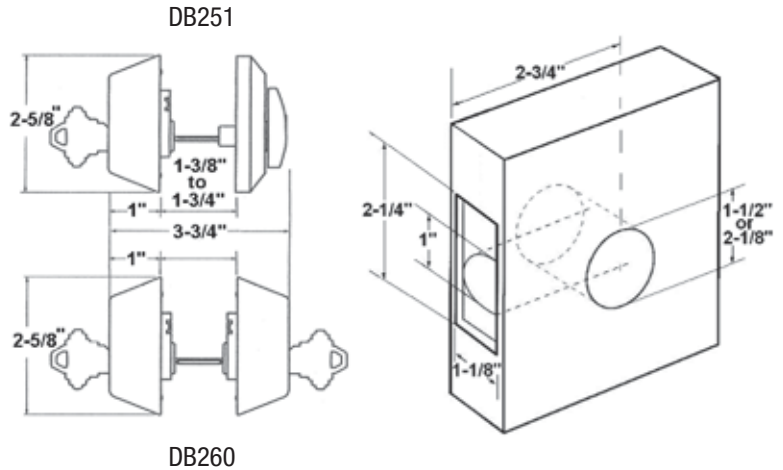


## Doormerica

### Solid Brass Standard Duty Deadbolts - Grade 2



#### Features:

- Deadbolt has Hardened Steel Inserts to Prevent Sawing Through.
- Full 1" Throw Deadbolt.
- Adjustable Backset 2-3/8" or 2-3/4" Steel Bolt.
- PDB-S -2-3/4" x 1-1/8" Deadbolt Strike
- Schlage "C" 6 Pin Keyway Standard.
- Door thickness 1-3/8" -1-3/4"
- 1/4" Heavy Duty Gauge Thru Bolts.

#### Options:

- IC -Small format Interchangeable Core available. Core NOT included.
- NDBADJ Adjustable Deadbolt only.

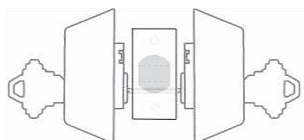
#### Functions:

##### DB251 - Single Cylinder



- Deadbolt thrown or retracted by key from outside or by turning inside turn.
- Bolt automatically deadlocks when fully thrown.

##### DB260 - Double Cylinder



- Deadbolt thrown or retracted by key from either side.
- Bolt automatically deadlocks when fully thrown.

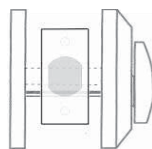
#### Functions:

##### DB280 - Door Bolt



- Deadbolt thrown or retracted by turn only.
- No through holes in door. Designed for half door preparation.
- Half bore is 1-5/8" (Do not bore through)

##### DB290 - Bolt & Plate



- Deadbolt thrown or retracted by turn only.
- Outside plate covers and mounts over standard deadbolt door Preparation.

#### 1 YEAR LIMITED WARRANTY

#### Stocked Product

Item	Finish
DB251	US3,10B,26D,32D
DB251 IC less core	26D,32D
DB260 (DBL CYL)	32D
DB280	US3,10B,26,32D
DB290	US3,10B,32D
DBADJ (ADJ. BOLT ONLY)	10B, 26D