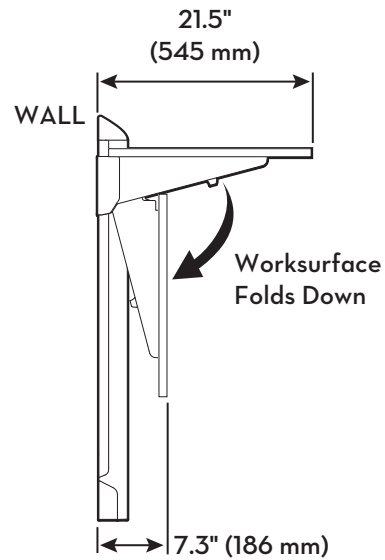
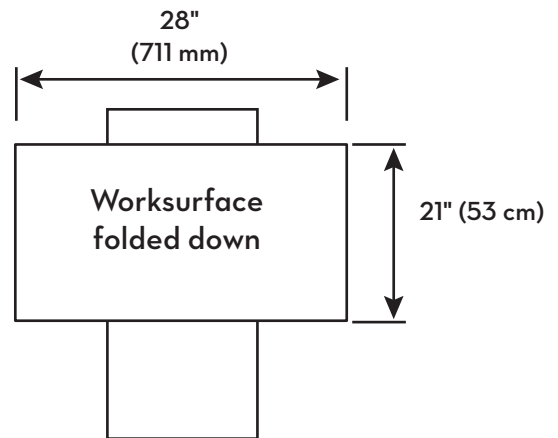
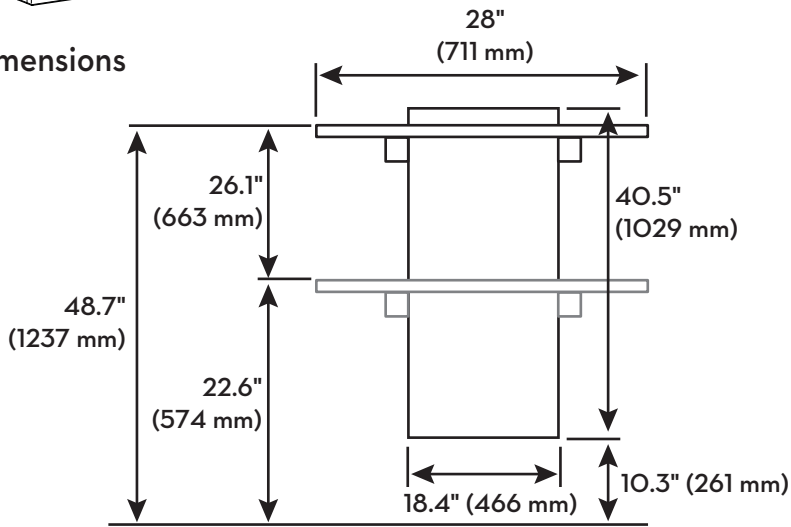
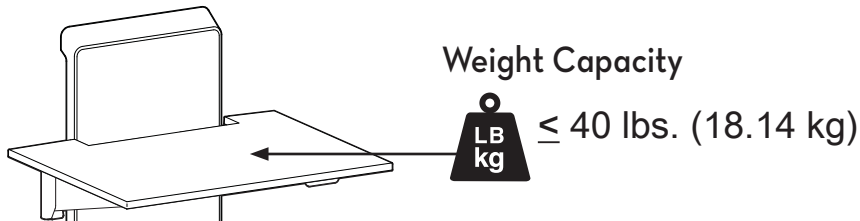


### Dimensions

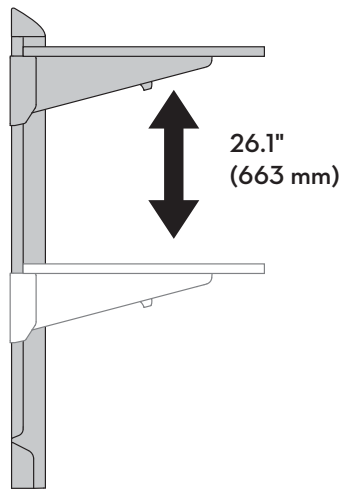


© 2019 Ergotron, Inc. rev. 06/10/2019 DIM-WFElevate **Content is subject to change without notification**

| Americas Sales and Corporate Headquarter  | EMEA Sales  | APAC Sales   | Worldwide OEM Sales                       |
|---|---|--|---|
| St. Paul, MN USA<br>(800) 888-8458<br>+1-651-681-7600<br>www.ergotron.com<br>sales@ergotron.com | Amersfoort, The Netherlands<br>+31 33 45 45 600<br>www.ergotron.com<br>info.eu@ergotron.com | Tokyo, Japan<br>www.ergotron.com<br>apaccustomerservice@ergotron.com | www.ergotron.com<br>info.oem@ergotron.com |



**Range of Motion**



**Spacing Dimensions for Multiple Units**

