

# Glider

## Furniture for the Curious



## Glider

Designed to offer increased workspace and comfort.

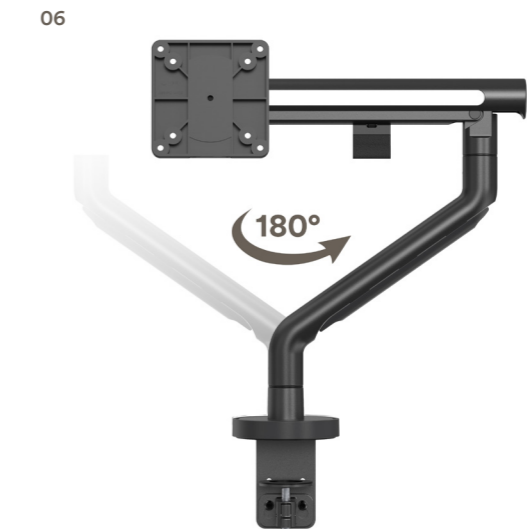
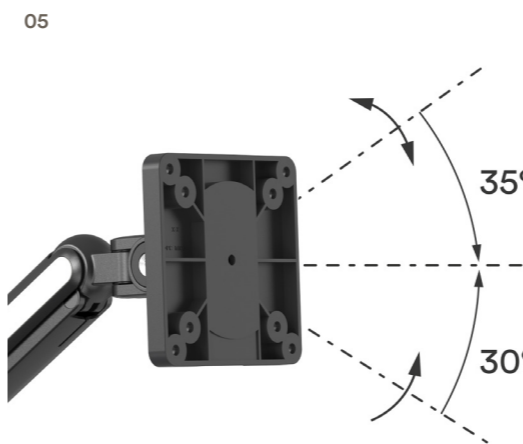
The design-led Glider Monitor Arm provides optimum ergonomic viewing position with perfect screen alignment, while an advanced Mechanical Spring mechanism provides fluid movement.



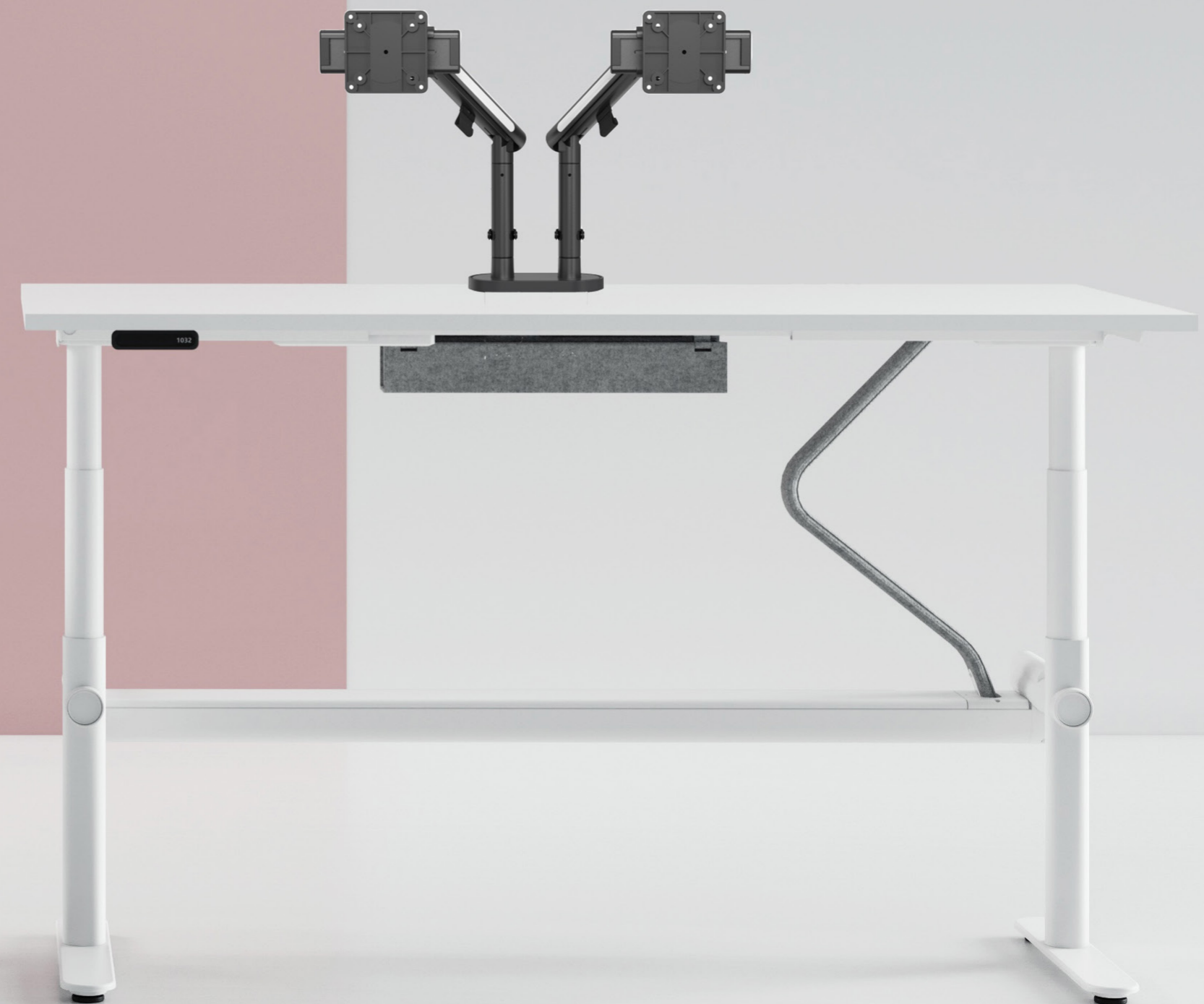
Glider brings advanced technology and ergonomic design into one monitor arm. The double arm features two stage gliding runner technology allowing for perfect side by side positioning, regardless of monitors, while also providing a generous viewing distance for better ergonomic comfort.



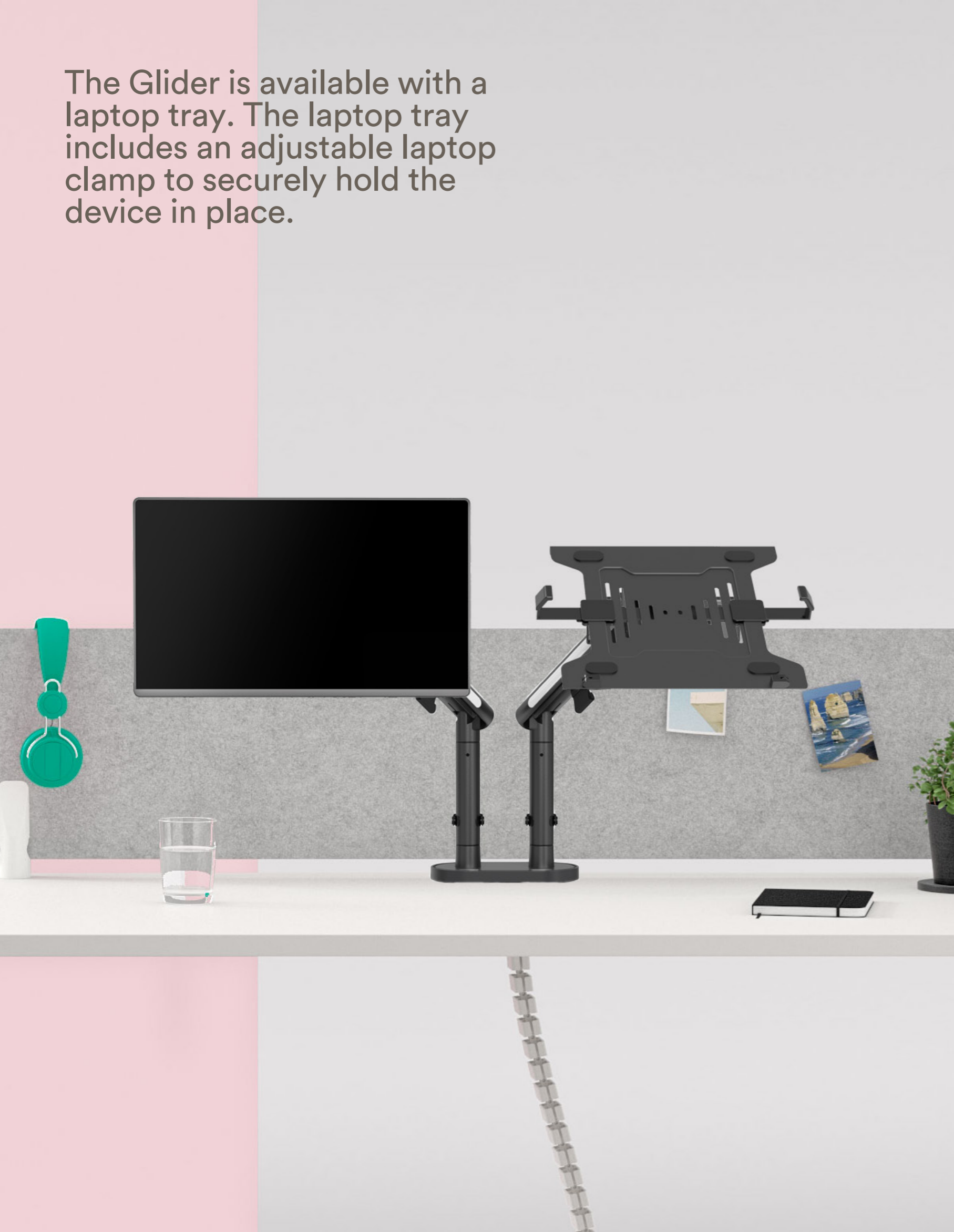
- 01 Glider monitor arm comes in a Satin Black finish and is available in single and double arms
- 02 Detachable VESA plate design enables easy installation
- 03 Built-in cable management for a clutter free appearance
- 04 Gas spring tension for perfect weight adjustment
- 05 Free-tilting design for adjustable viewing angles
- 06 180 degree rotatable arm to allow for ergonomic positioning
- 07 Double arm gas spring monitor with a gliding VESA plate, giving flexibility to adjust monitor positioning



Glider is available in a single arm gas spring with 180 degree rotation or a double arm gas spring with a flexible VESA plate, designed to glide any sized monitor into the most optimal position.



The Glider is available with a laptop tray. The laptop tray includes an adjustable laptop clamp to securely hold the device in place.



#### Glider

Designed to offer increased workspace and comfort.

The design-led Glider Monitor Arm provides optimum ergonomic viewing position with perfect screen alignment, while an advanced Mechanical Spring mechanism provides fluid movement.

#### Sustainability Policy

We realise the importance of responsible business practices and have in place numerous product and company sustainability certifications. We would encourage you to download our annual Sustainability Report from the Thinking Works website to get a full overview of our sustainability program.

#### Thinking Works

© Copyright 2023  
All Rights Reserved

#### Head Office

15 - 23 Helles Avenue, Moorebank  
New South Wales 2170, Australia

P: +61 (0)2 9726 7177

F: +61 (0)2 9726 7188

#### Sydney Showroom

120 Bourke Street, Woolloomooloo  
New South Wales 2011, Australia

P: +61 (0)2 9002 0250

F: +61 (0)2 9726 7188

sales@thinkingw.com

[www.thinkingw.com](http://www.thinkingw.com)

# Furniture for the Curious