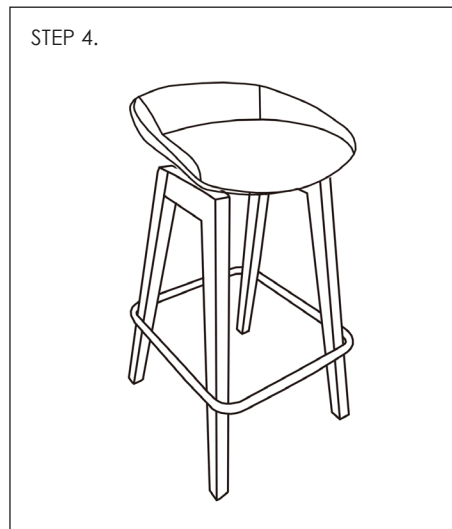
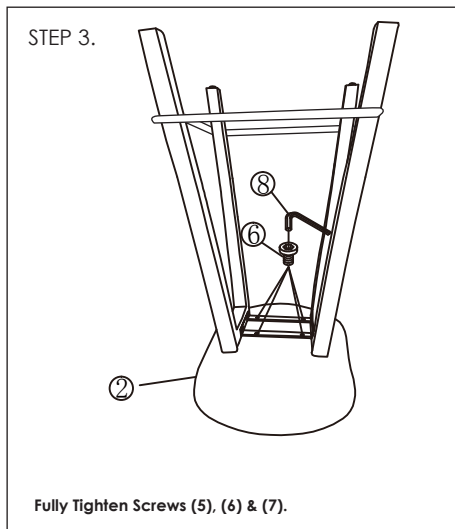
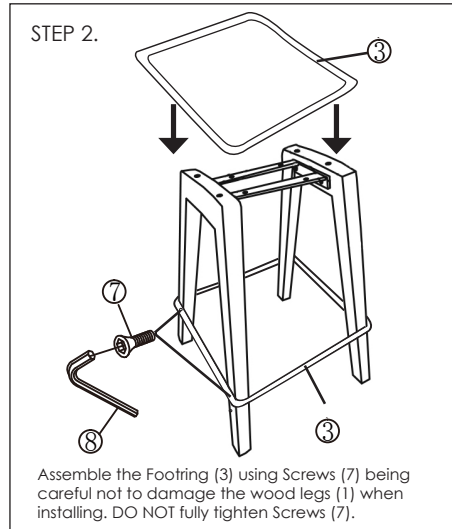
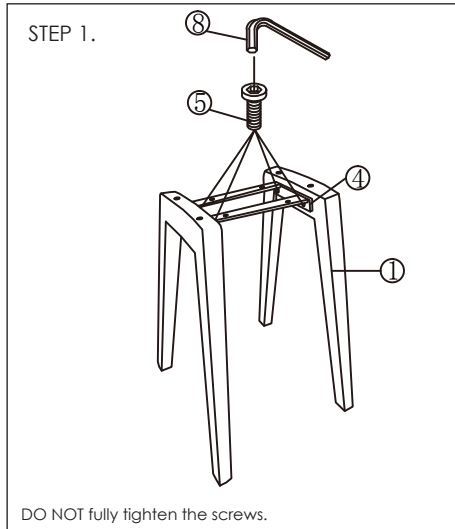


# Assembly, Operating & Maintenance Instructions

## KONFURB PALA BARSTOOL - FABRIC SEAT / POLYPROPYLENE SEAT

Remove all items from the carton. Verify all pieces before assembly.



## PART LIST

	QTY	DESCRIPTION
1	2	Wood legs
2	1	Seat
3	1	Footring
4	1	Metal Bracket
5	4	Screws (M6*30)
6	4	Screws (M6*14)
7	4	Screws (M6*30)
8	1	Allen Wrench

## CARE & MAINTENANCE

### GENERAL CARE

To maintain the appearance of non-upholstered parts wipe the surface with a clean cloth dampened with a mild detergent solution. Do not remove any parts for separate cleaning. Do not saturate the fabric or interior with water or other cleaning liquids. Do not shampoo clean. Do not clean with hot water extraction machine. Do not clean with onsite drycleaning machine. Protect from direct sunlight, heat and weather.

### FABRIC UPHOLSTERY CARE

Wipe with a clean cloth dampened with a mild upholstery detergent solution. A soft bristle brush may be used to remove ingrained soil. Spot clean as above. Treat spills and stains as soon as possible. Persistent stains may require treatment by a professional cleaner. May be cleaned with dry powder cleaners. Allow to dry thoroughly before reuse.

### POLYPROPYLENE CARE

Warning: Polypropylene parts have been treated with a water repellent.  
Warning: Exposure to direct sunlight may cause fading.  
Warning: Do not use solvents such as acetone, contact cleaners, thinners or Methyl Ethyl Ketone (MEK) to clean Polypropylene surfaces. These solvents will soften and/or dissolve the polypropylene & water printed surface, diminishing its shine and durability or removing the finish altogether.

**Please Note:** Wood is a natural product and may include variations in colour, grain and texture. Wood finishes therefore are not guaranteed to be a perfect match due to various styles of grain in the frame.

## UPHOLSTERY & FOAM SPECS\*

### FOAM

Flame Resistant: Ca117 Section A Part I & Section D Part II

### UPHOLSTERY: FABRIC

Flame Resistance: Ca117 Section E Class I

\*This applies only to standard Konfurb stock. Any customer specified upholstery may not meet these specifications.

## PREVENTATIVE MAINTENANCE & WARNING!

- Use this product only for seating one person at a time.
- Do not use this chair as a step stool/ladder.
- Do not sit on any part of the chair except the seat.
- Do not use this chair on uneven floor surfaces.
- Do not interfere with the operating of the gas lift.
- Do not use chair unless all bolts, screws and knobs are tight. At least every six months check all bolts, screws and knobs to ensure they are tight.
- If any parts are missing, broken, damaged or worn do not use the product until repairs are made using factory authorised parts.
- Dispose of packaging properly.
- Plastic bag is not a toy.
- Do not use plastic bag as a head covering as it may cause suffocation.
- Failure to follow these warnings could result in serious injury.