

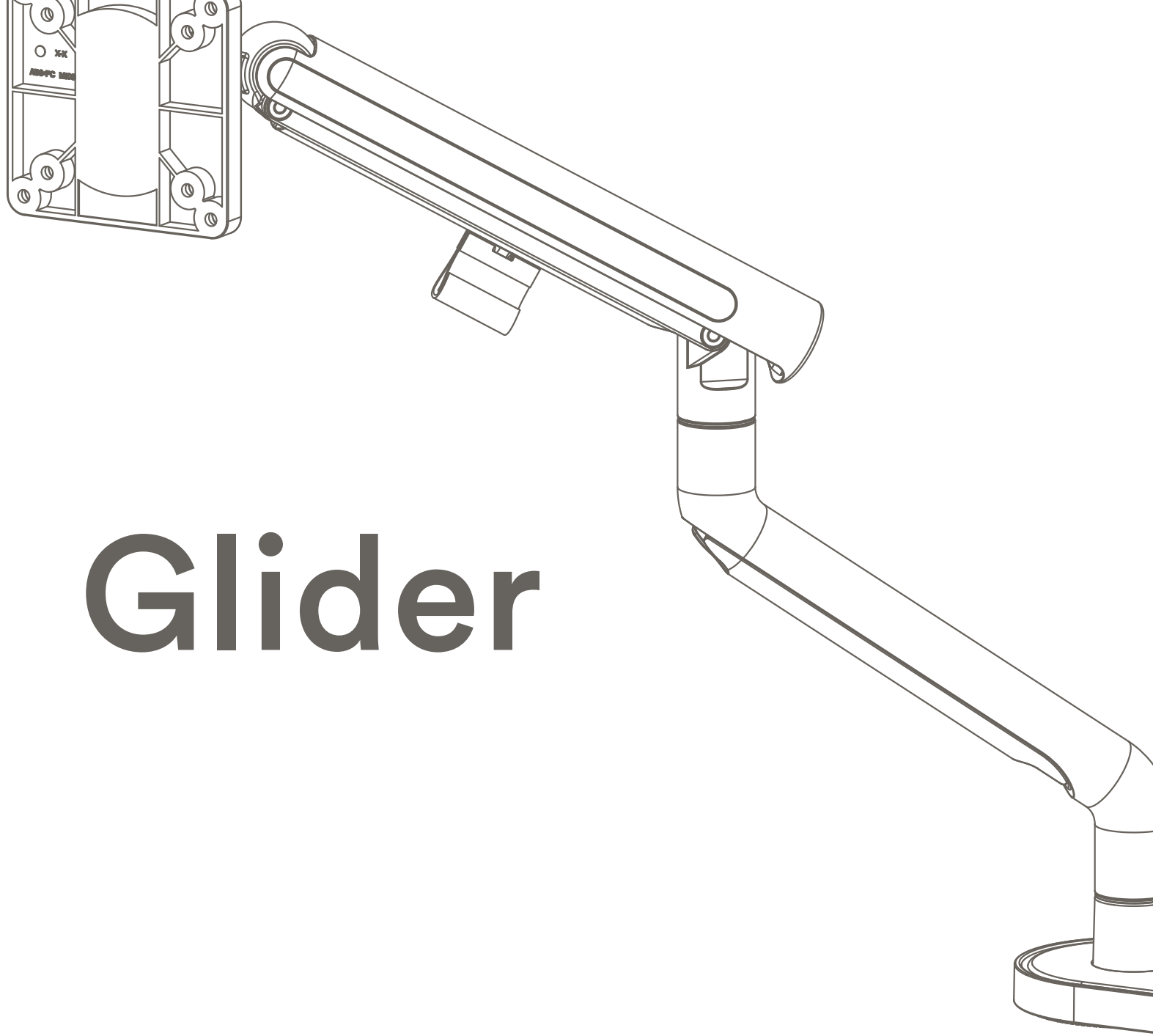


# Glider

Specification Guide

## **Glider**

**Designed to offer increased workspace and comfort. The design-led Glider Monitor Arm provides optimum ergonomic viewing position with perfect screen alignment, while an advanced Mechanical Spring mechanism provides fluid movement. Available in single arm or dual arm version.**

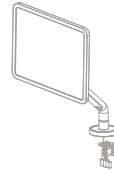


# Glider

# Glider

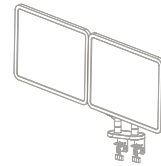
Single Arm

6



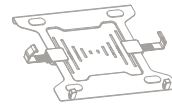
Dual Arm

7



Laptop Tray

8

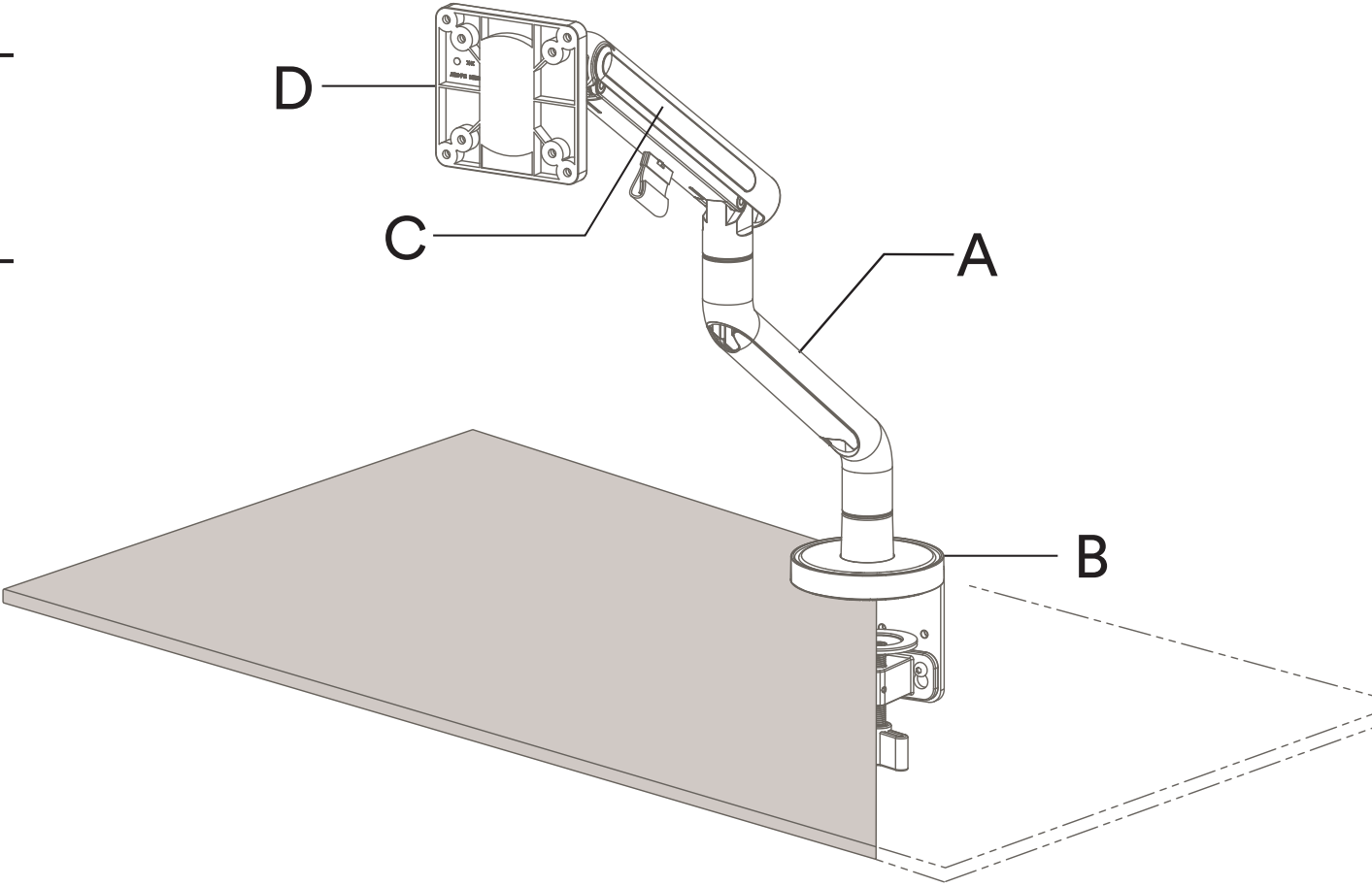


# Glider Finishes

---

## Black

- a. Satin Black Arm
  - b. Satin Black Base
  - c. White Contrast Trim
  - d. Satin Black VESA Plate
- 



# Glider Single Arm

## Materials Information

### Arm

Aluminium

Satin Black

### Base

Aluminium

Satin Black

### Trim Detailing

ABS

White Contrast Trim

## Vesa Mounting Bracket

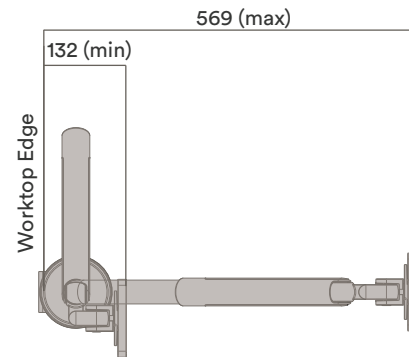
Steel

Satin Black

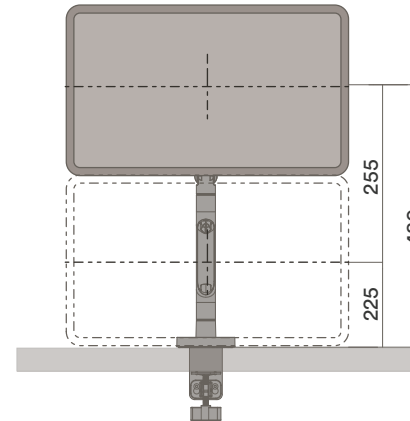
Weight Capacity	3~9kg per Arm
Fit Screen Size	17"-32"
Height Adjustment	255mm
Monitor Mounting	Vesa Compliant Monitors (75 or 100mm square)
Worktop Thickness	Desk Clamp - 10~60mm

GL-MA-1100

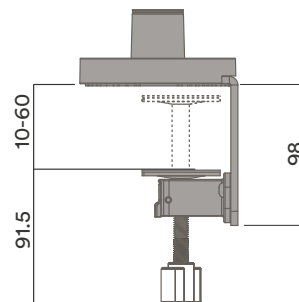
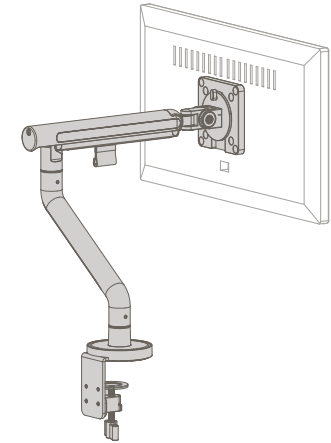
Single Gaslift Monitor Arm



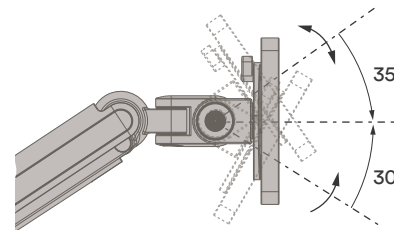
Arm Extension



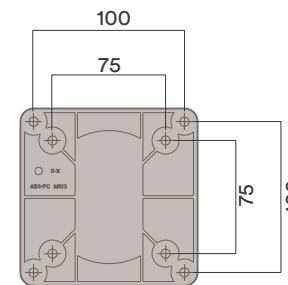
Height Range



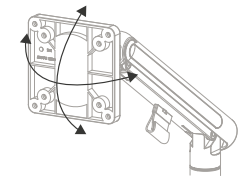
Desk Clamp



Monitor Pivot



VESA Mount Compatible  
(Centre Mounted Only)



\*Range is dependant on number and size of monitors.  
Lowest position shown has been calculated with 17" monitor.

# Glider Dual Arm

## Materials Information

### Arm

Aluminium

Satin Black

### Base

Aluminium

Satin Black

### Trim Detailing

ABS

White Contrast Trim

## Vesa Mounting Bracket

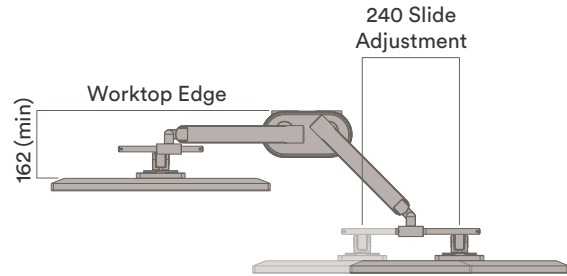
Steel

Satin Black

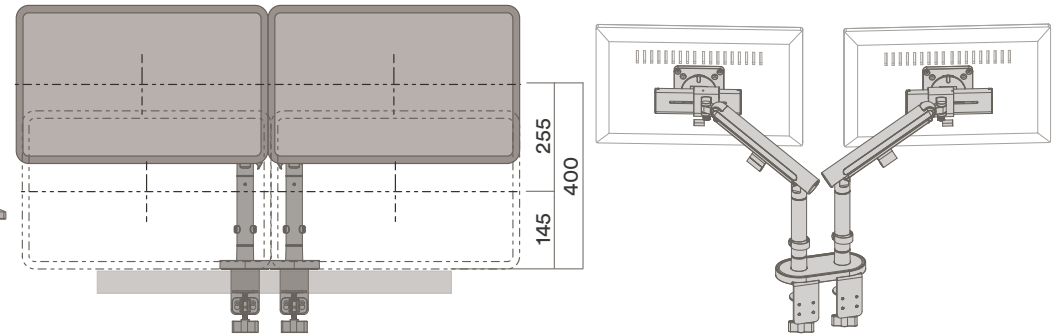
Weight Capacity	3~9kg per Arm
Fit Screen Size	17"-32"
Height Adjustment	255mm
Monitor Mounting	Vesa Compliant Monitors (75 or 100mm square)
Worktop Thickness	Desk Clamp - 10~60mm

GL-MA-1200

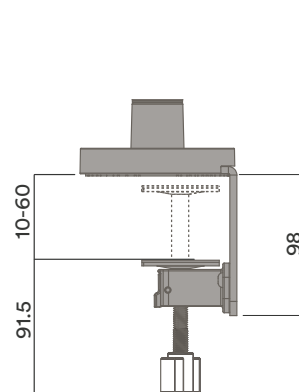
Dual Gaslift Monitor Arm



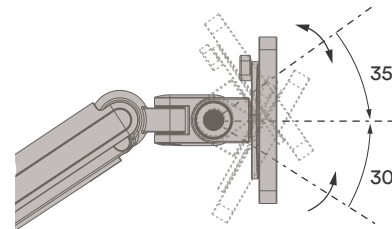
Arm Extension



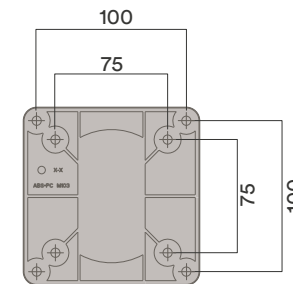
Height Range



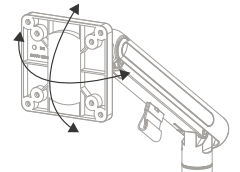
Desk Clamp



Monitor Pivot



VESA Mount Compatible  
(Centre Mounted Only)



\*Range is dependant on number and size of monitors.  
Lowest position shown has been calculated with 17" monitor.

# Glider Laptop Tray

## Materials Information

### Tray

Steel & Silicone

Matte Black

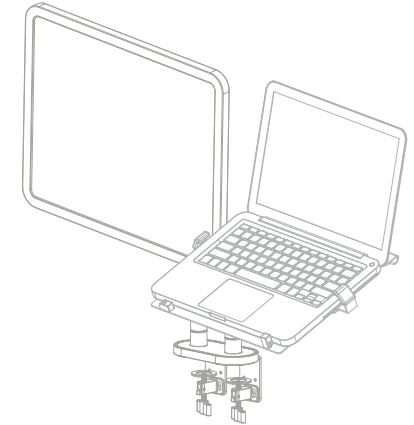
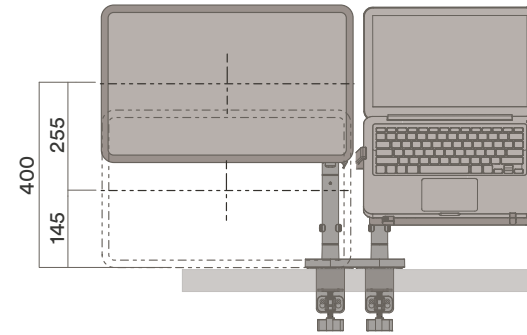
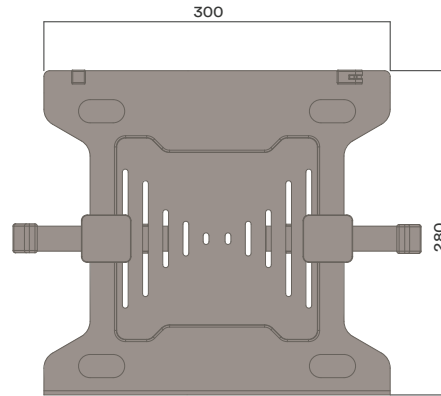
### Laptop Clamp

Steel & Nylon

Matte Black

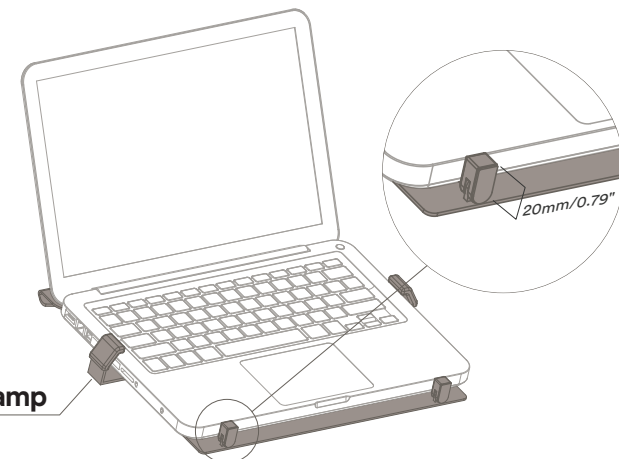
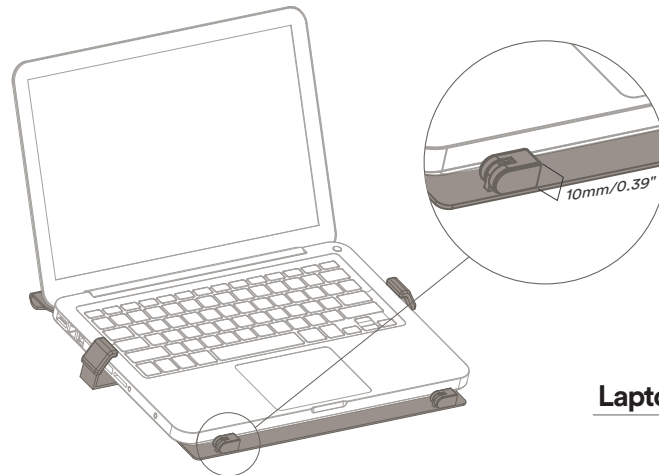
VA-MA-1500

Add-On Laptop Tray



For Thin Laptops

For Thick Laptops



Laptop Clamp

Weight Capacity 4.5kg  
Fit Screen Size 10"-15.6"





## Specification

If you would like a sample set of any of our finishes, please call us on 61 (0)2 9726 7177 or e-mail at [sales@thinkingw.com](mailto:sales@thinkingw.com).

Due to our policy of continuous product development, specifications and finishes may change without prior notice.

## Sustainability Policy

We realise the importance of responsible business practices and have in place numerous product and company sustainability certifications. We would encourage you to download our annual Sustainability Report from the Thinking Works website to get a full overview of our sustainability program.

Thinking Works  
© Copyright 2023  
All right reserved

Thinking Works  
15-23 Helles Avenue  
Moorebank  
New South Wales 2170

[www.thinkingw.com](http://www.thinkingw.com)  
61 (0)2 9726 7177  
[sales@thinkingw.com](mailto:sales@thinkingw.com)