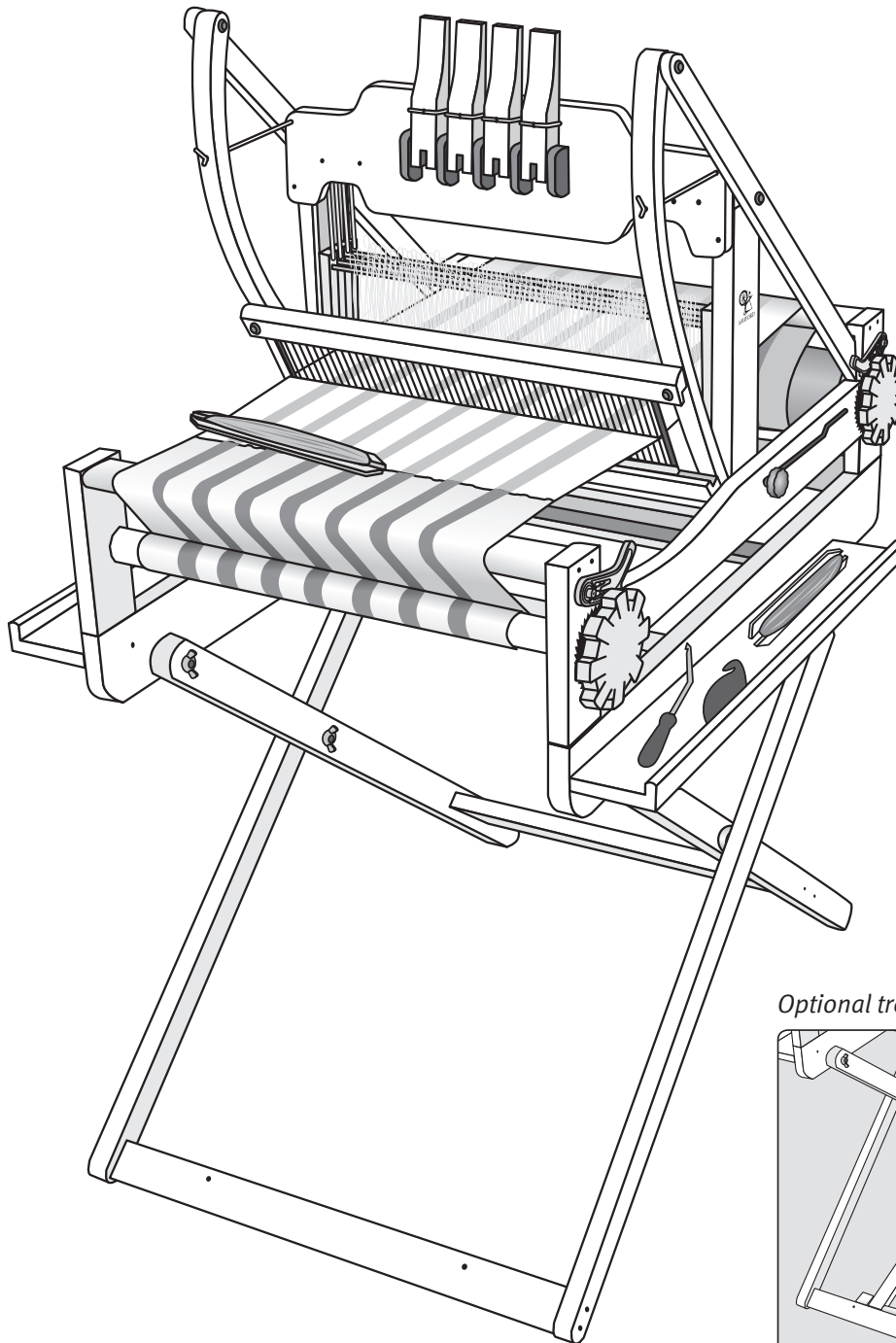
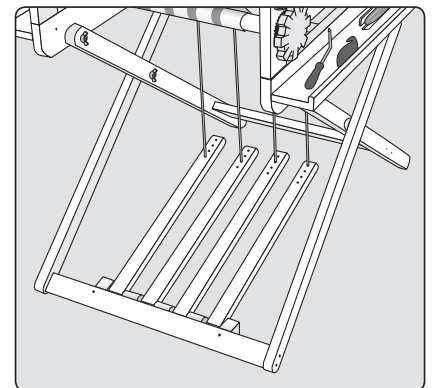


TABLE LOOM STAND

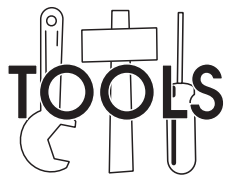
400mm (16ins) 600mm (24ins) and 800mm (32ins)



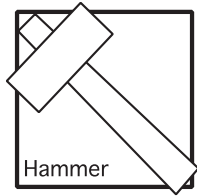
Optional treadle kit available



TLS030518V2



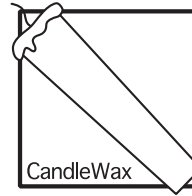
TOOLS



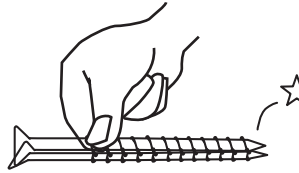
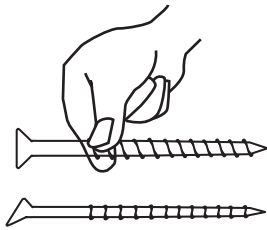
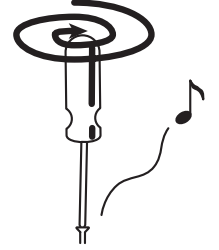
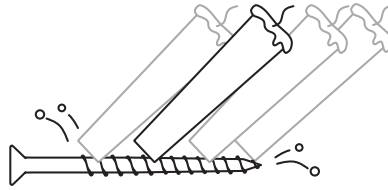
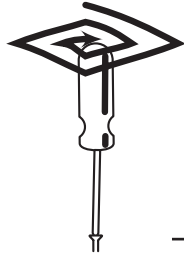
Hammer



Screwdriver

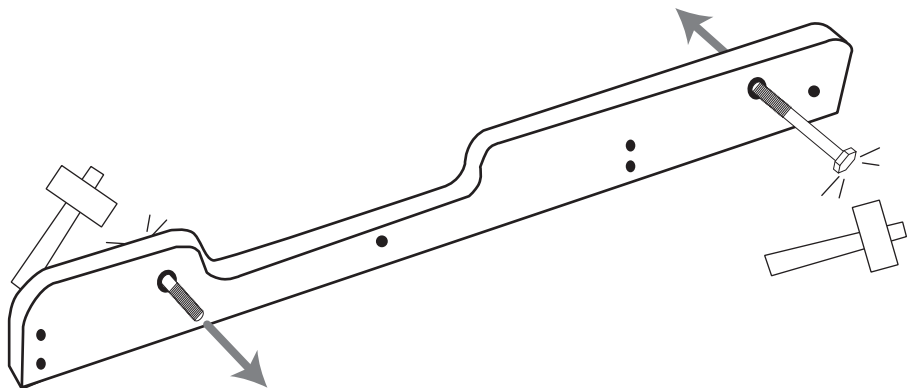
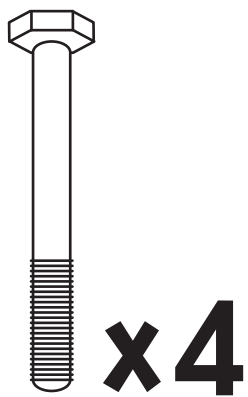
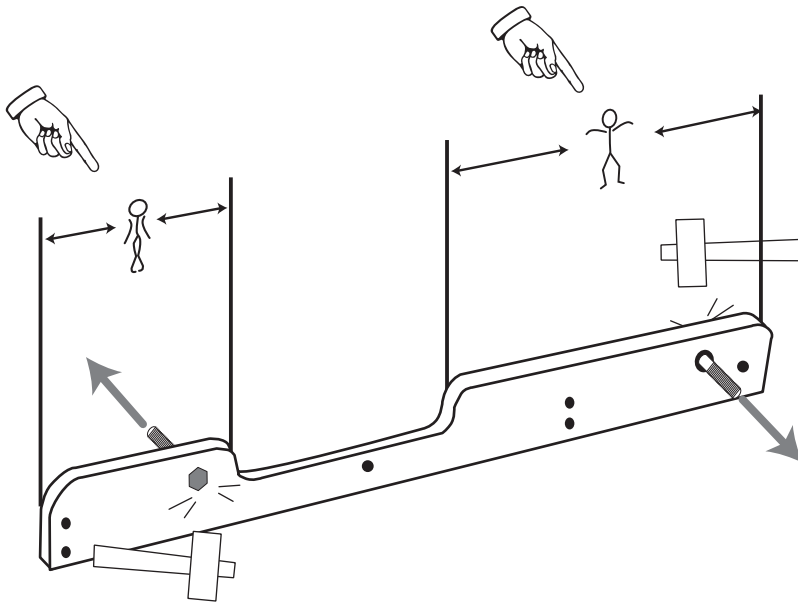


CandleWax



1

!Check

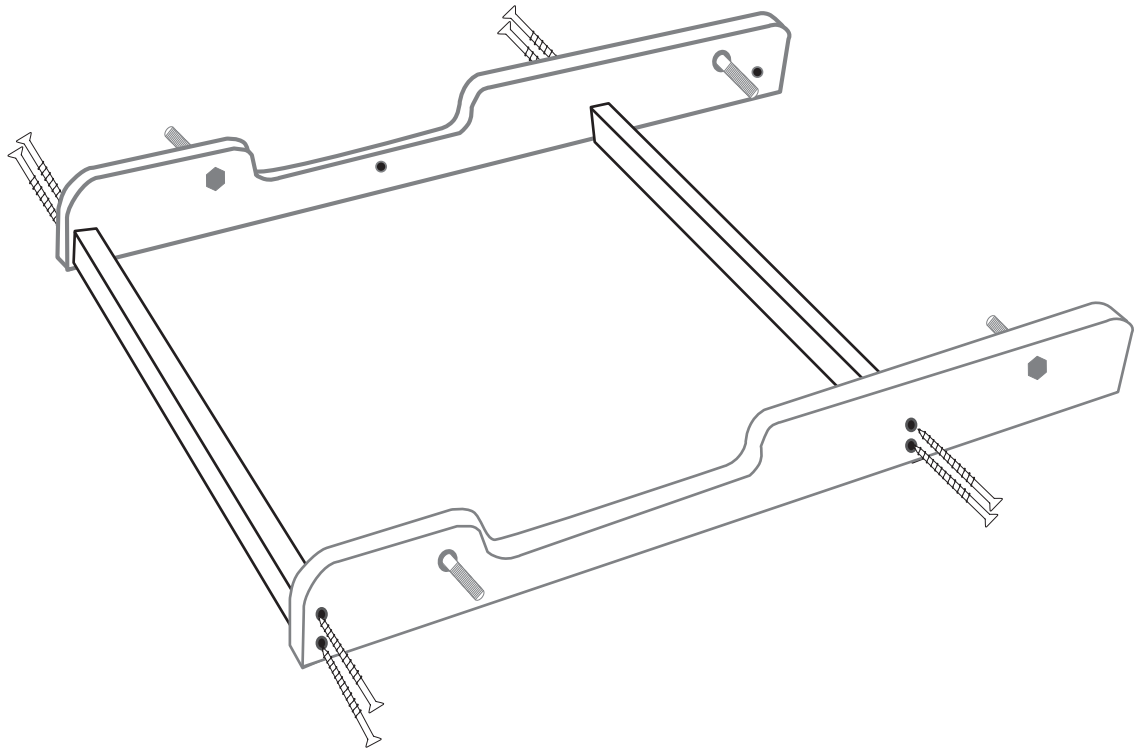


2

!Check



x8

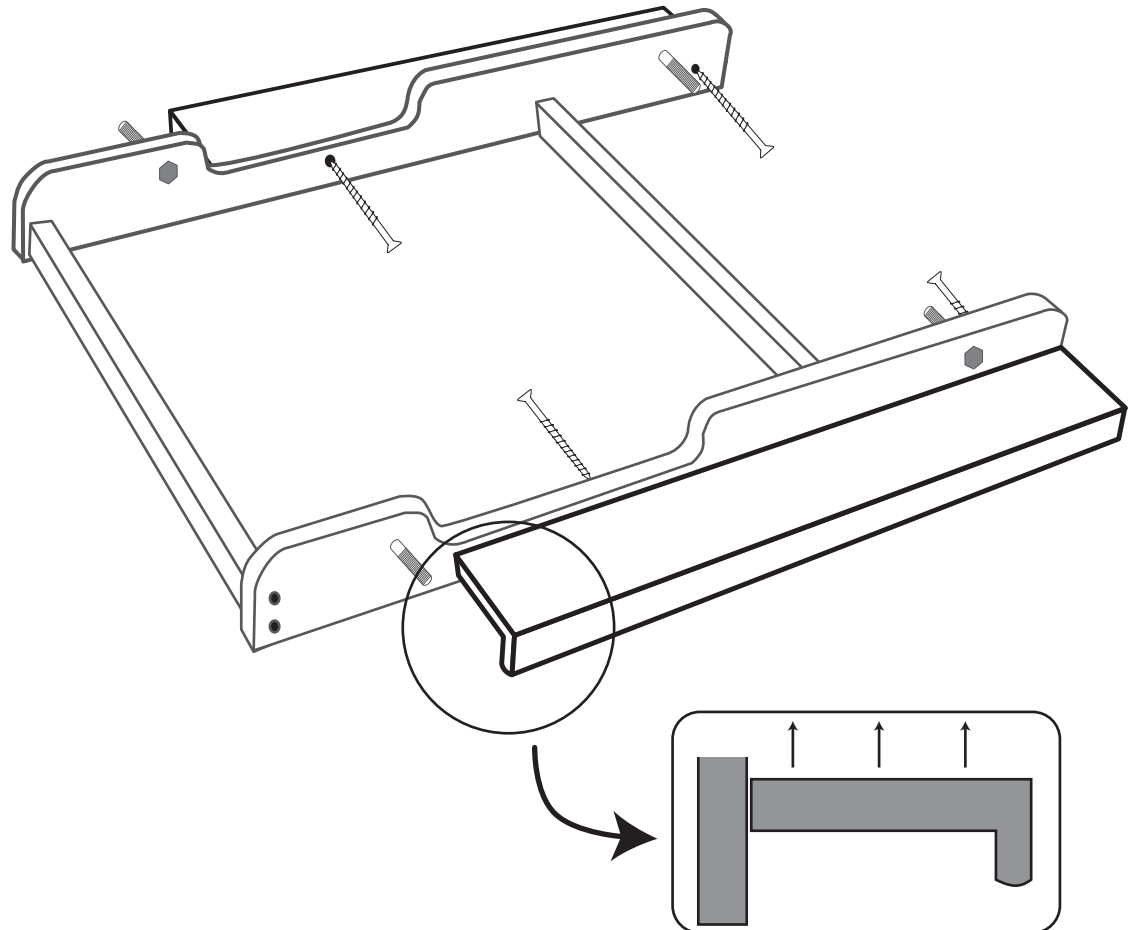


3

!Check



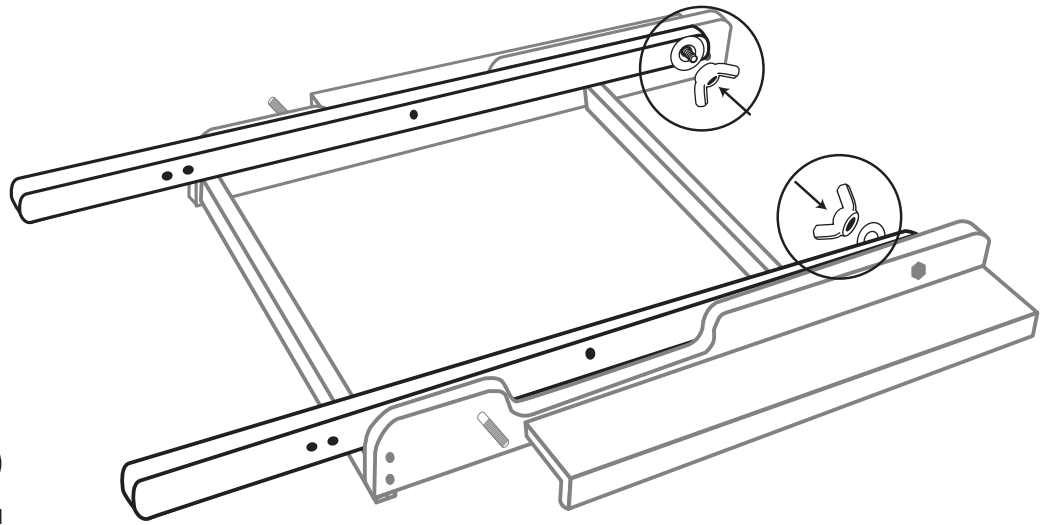
x4



④

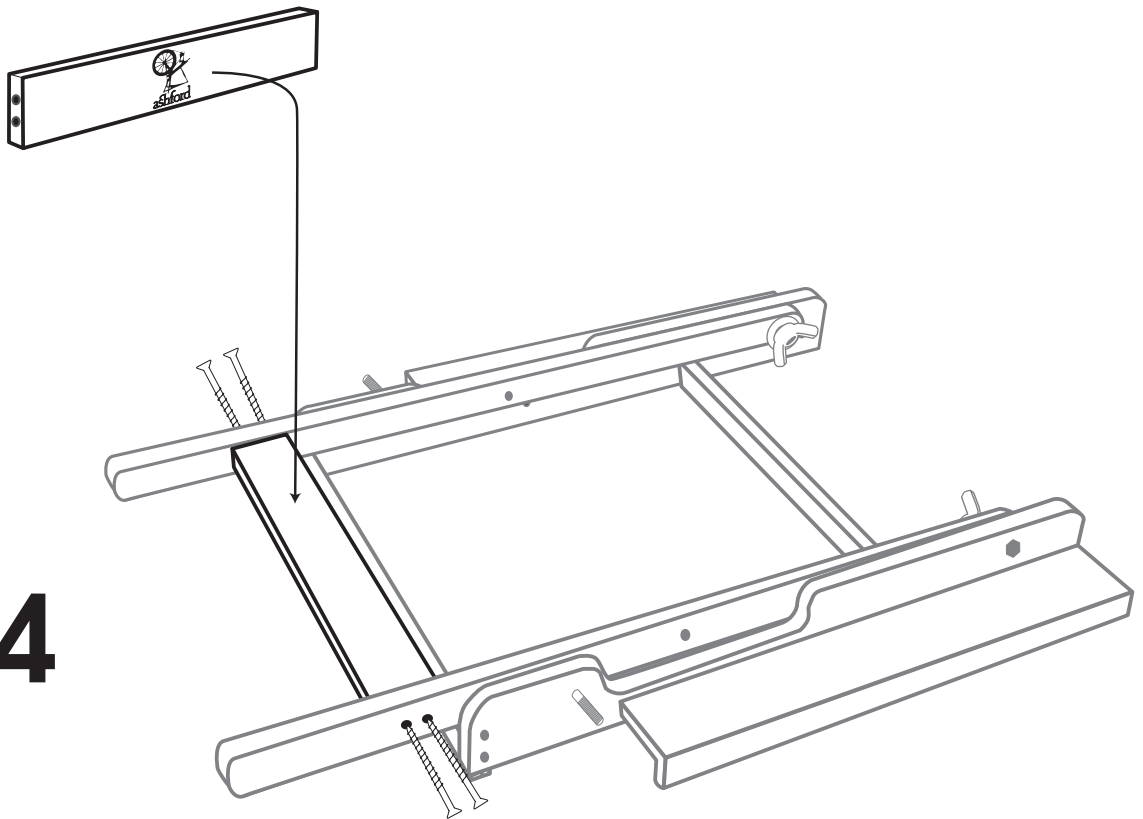
○ x 2

∩ x 2

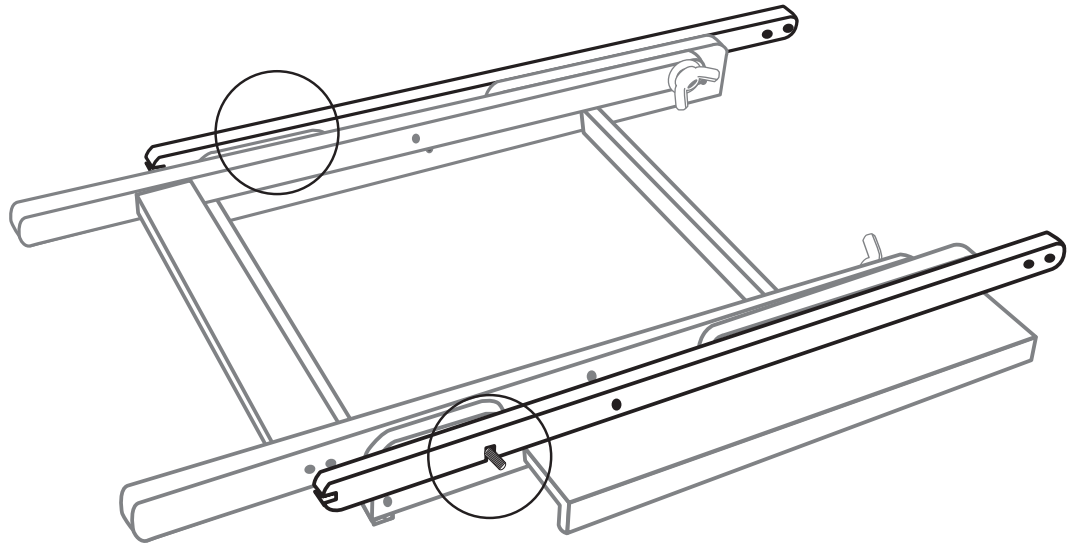


⑤

⌘ x 4



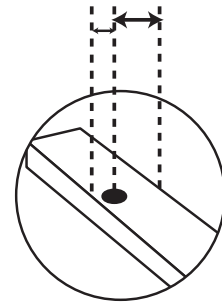
6



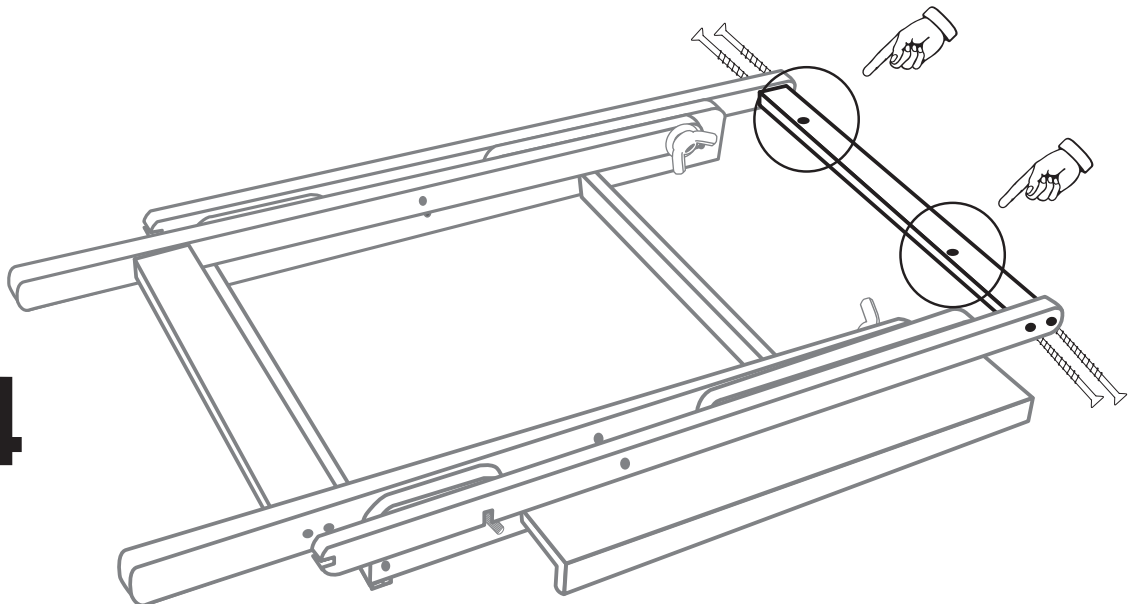
7

Note: The countersunk is underneath

!Check

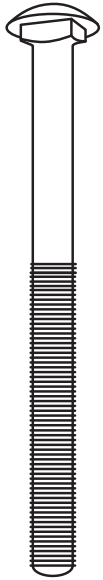
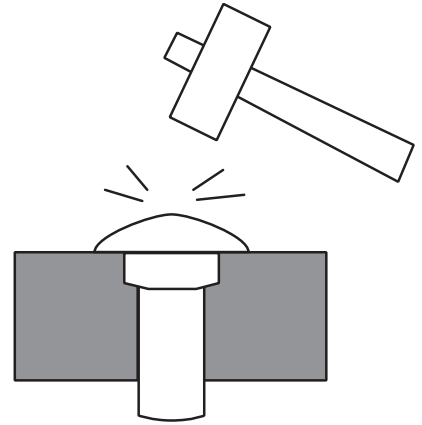
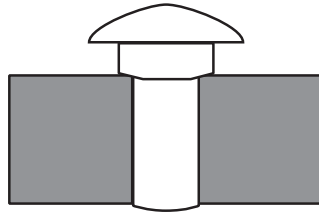


x 4

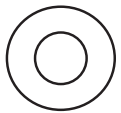


8

!Check



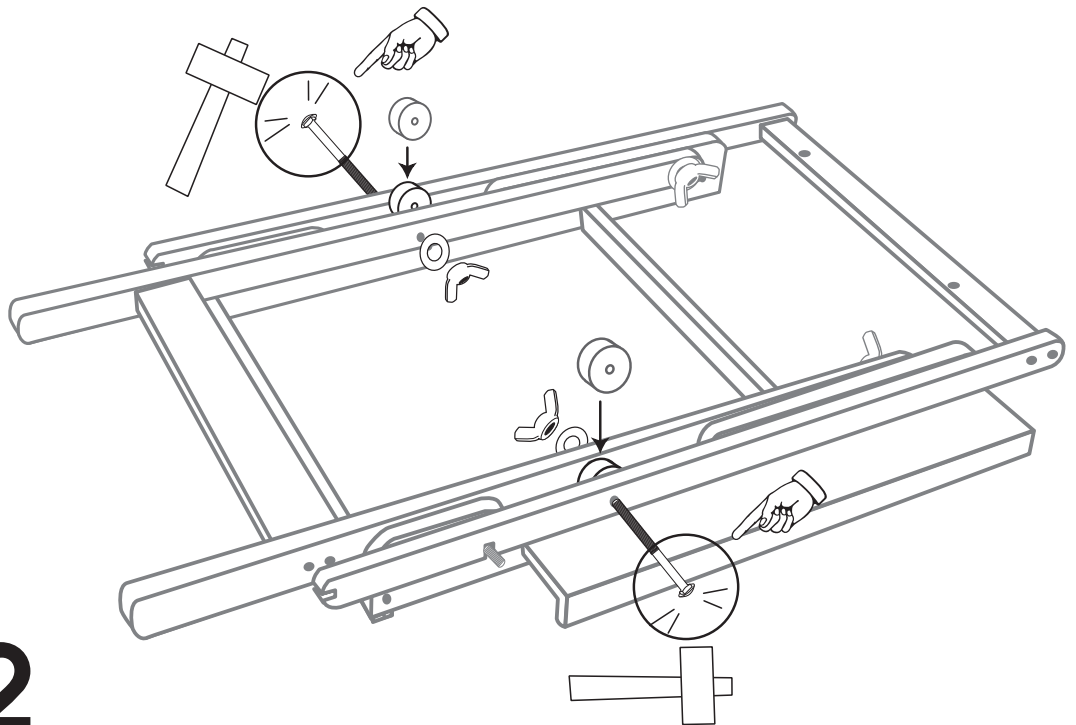
x 2



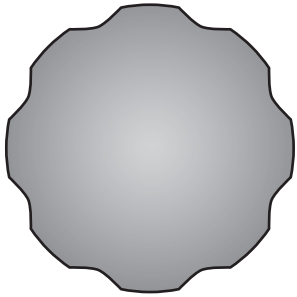
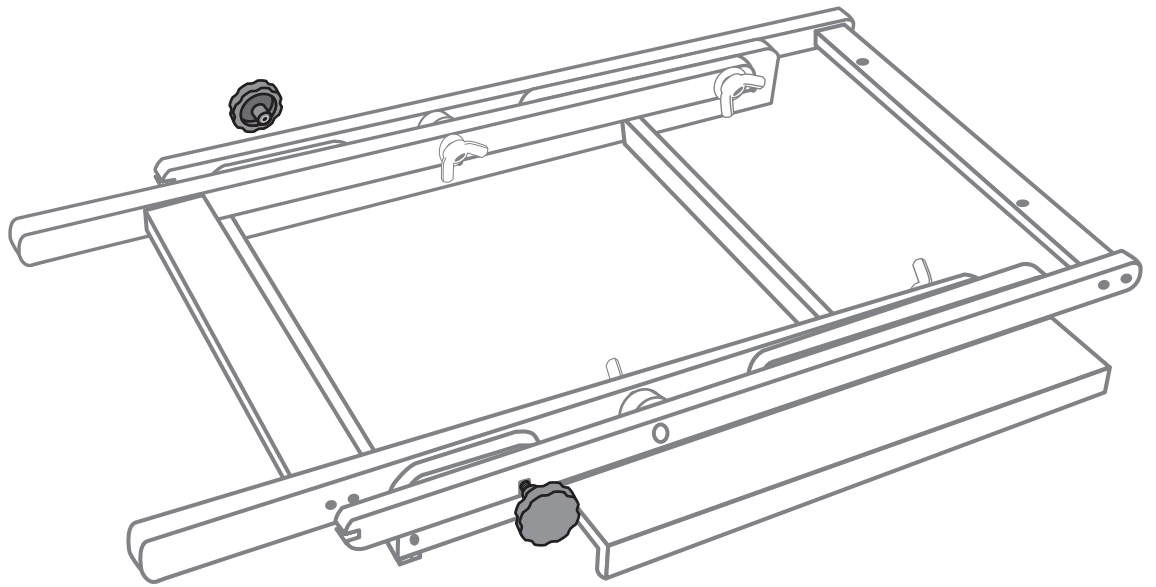
x 2



x 2

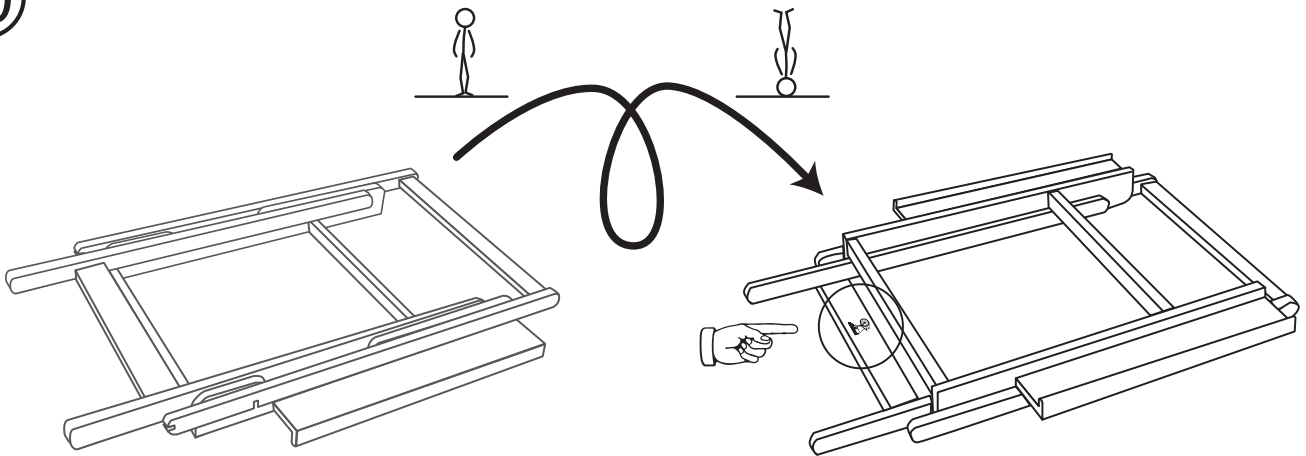


9



x 2

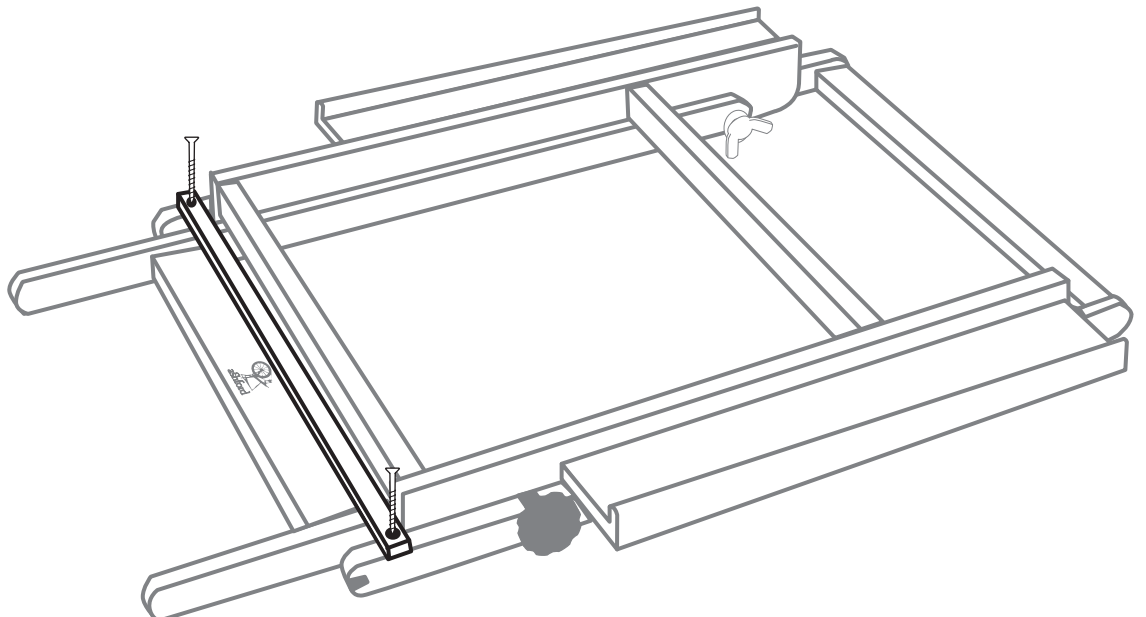
10



11

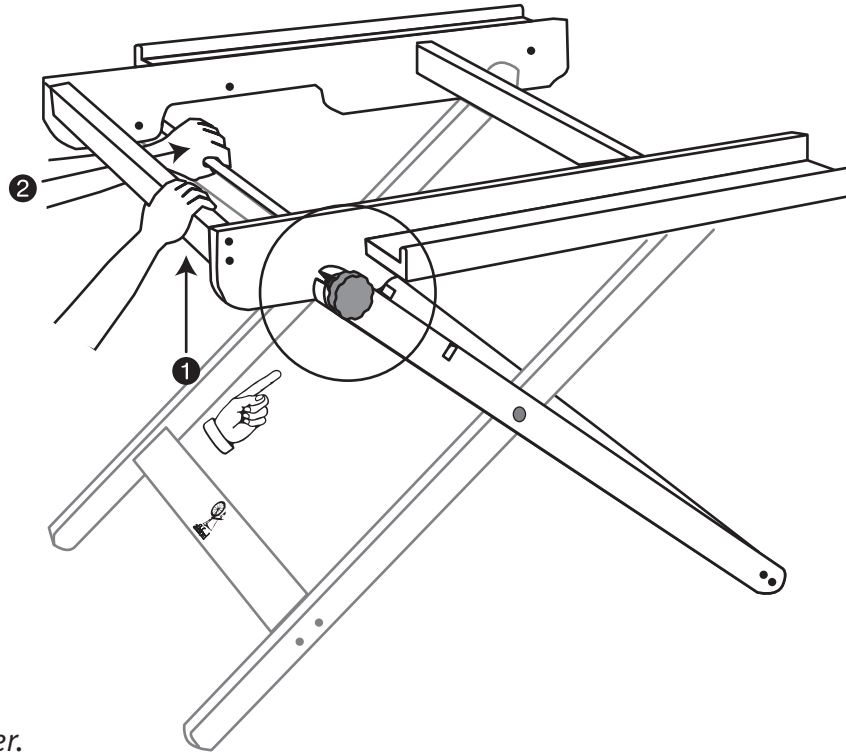
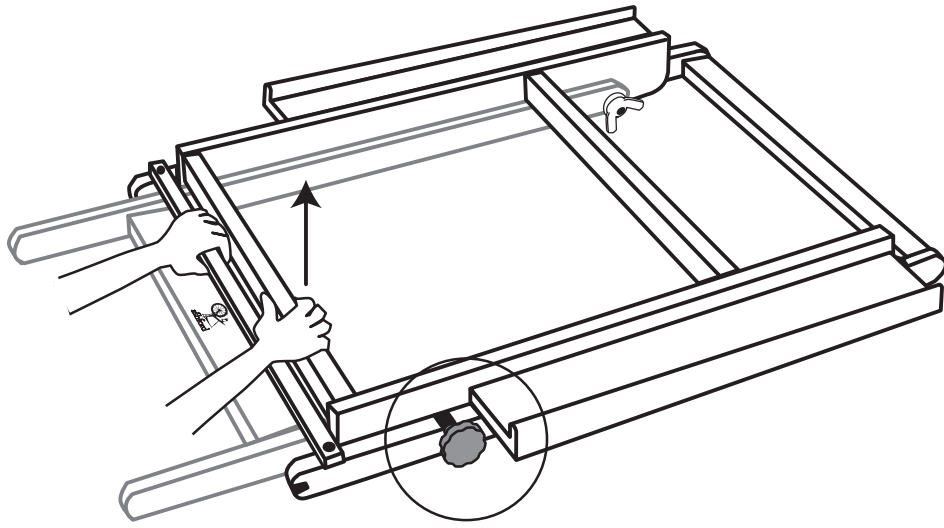


x 2



12

!Check



Please note: The optional treadle kit may be fitted later.

Full size hardware for Table Loom Stand

