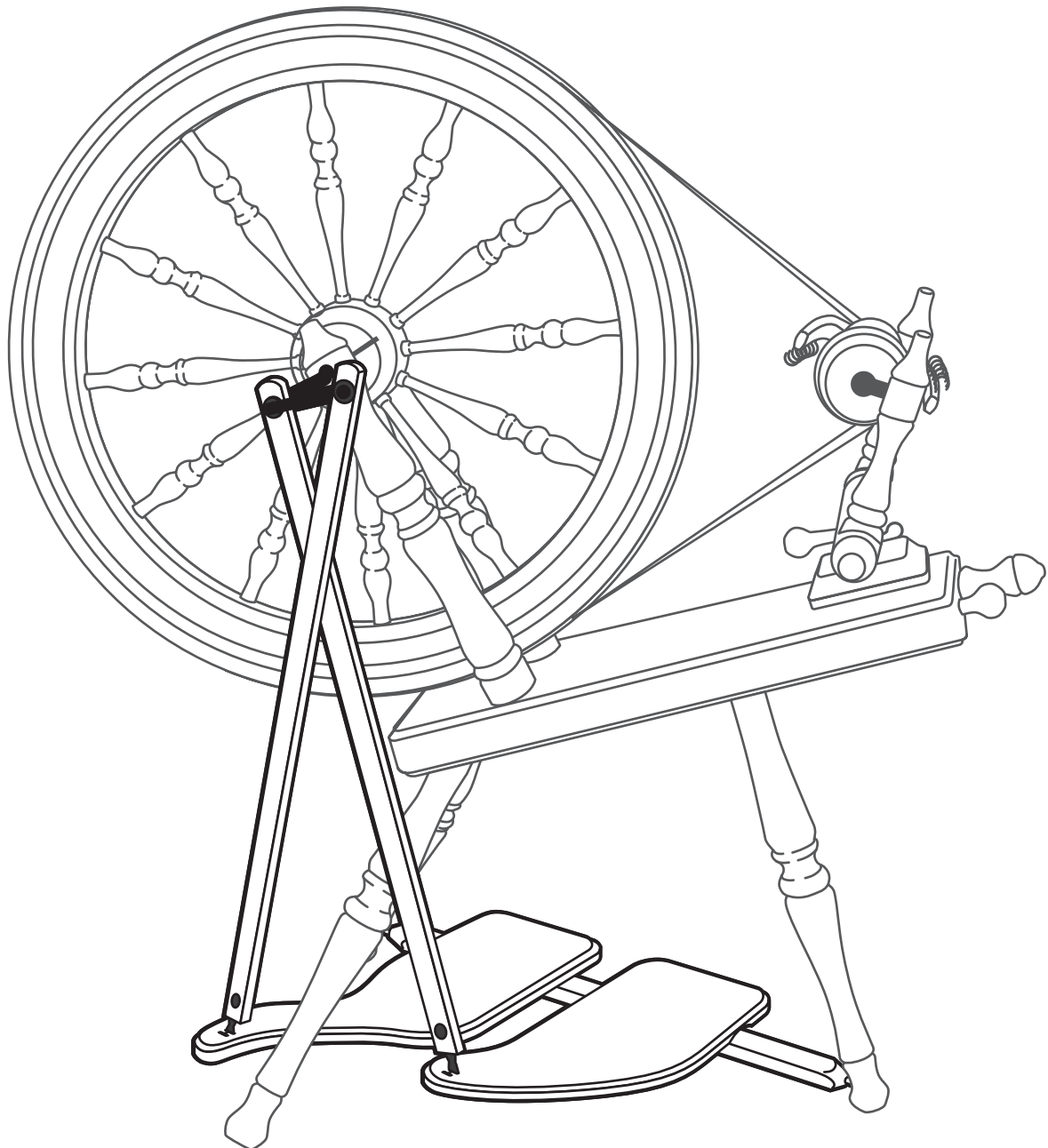


DOUBLE TREADLE KIT

for Elizabeth spinning wheel



DTKESW01052015V3

ASSEMBLY INSTRUCTIONS FOR DOUBLE TREADLE KIT FOR ASHFORD ELIZABETH SPINNING WHEEL

Assembly Sequence

Please read these instructions right through before commencing.

Finishing the Wood

We recommend the wood surfaces be sealed before assembly. This protects the kiln dried wood from climatic changes and enhances its beauty. Use either the Ashford Wax Finish or the same finish as the rest of your wheel.

Special Features

Easy to start - no need to use your hands. Just start treading. Enjoy comfortable heel and toe action.
New treading action - the cranks are off set 10 degrees so you can start the wheel in either direction.

Good posture - when you use both feet to treadle your body is naturally in balance.

Less muscle fatigue - the Double Treadle Kit reduces ankle, leg and hip fatigue.

Update kit - your spinning wheel has now been updated with the new crank and con rod joints for smooth silent spinning.

Tools Required



Screwdriver



Hammer



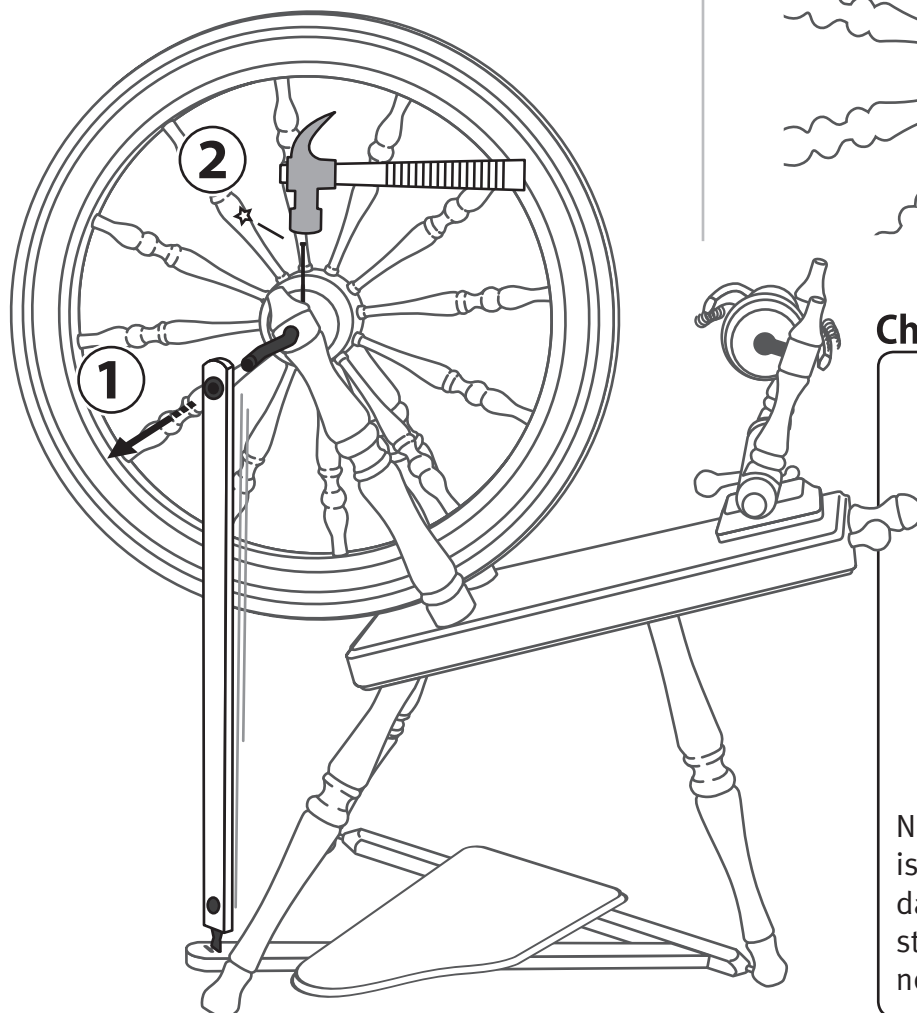
CANDLE WAX



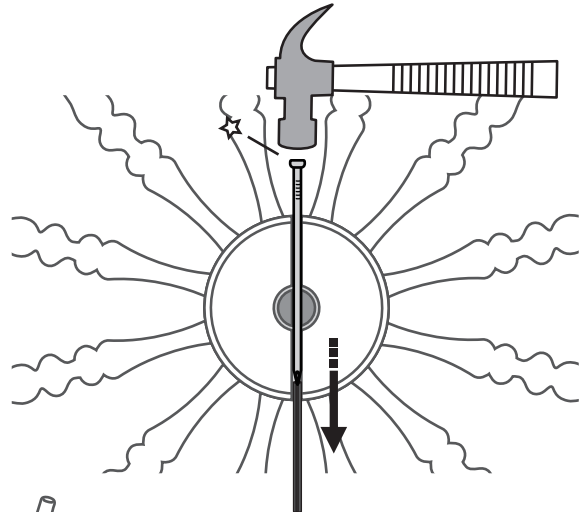
OIL

➔ slot or ➕ philips (poz)

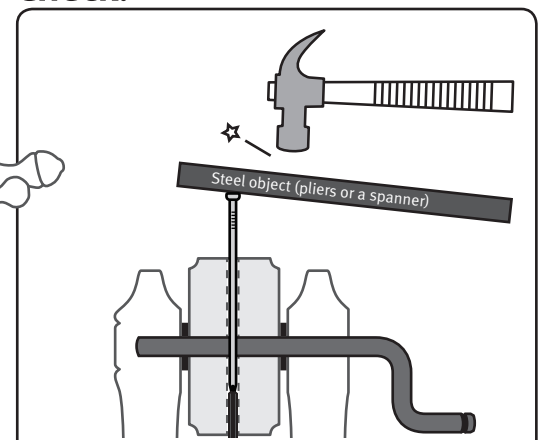
- ➊ Remove from the crank
- the split pin with a pair of pliers.
 - the O-ring with a pin or needle
 - the E-clip with a small screwdriver.
- Take off old conrod from the crank.



- ➋ Remove the hub pin. Use the nail provided and a hammer.



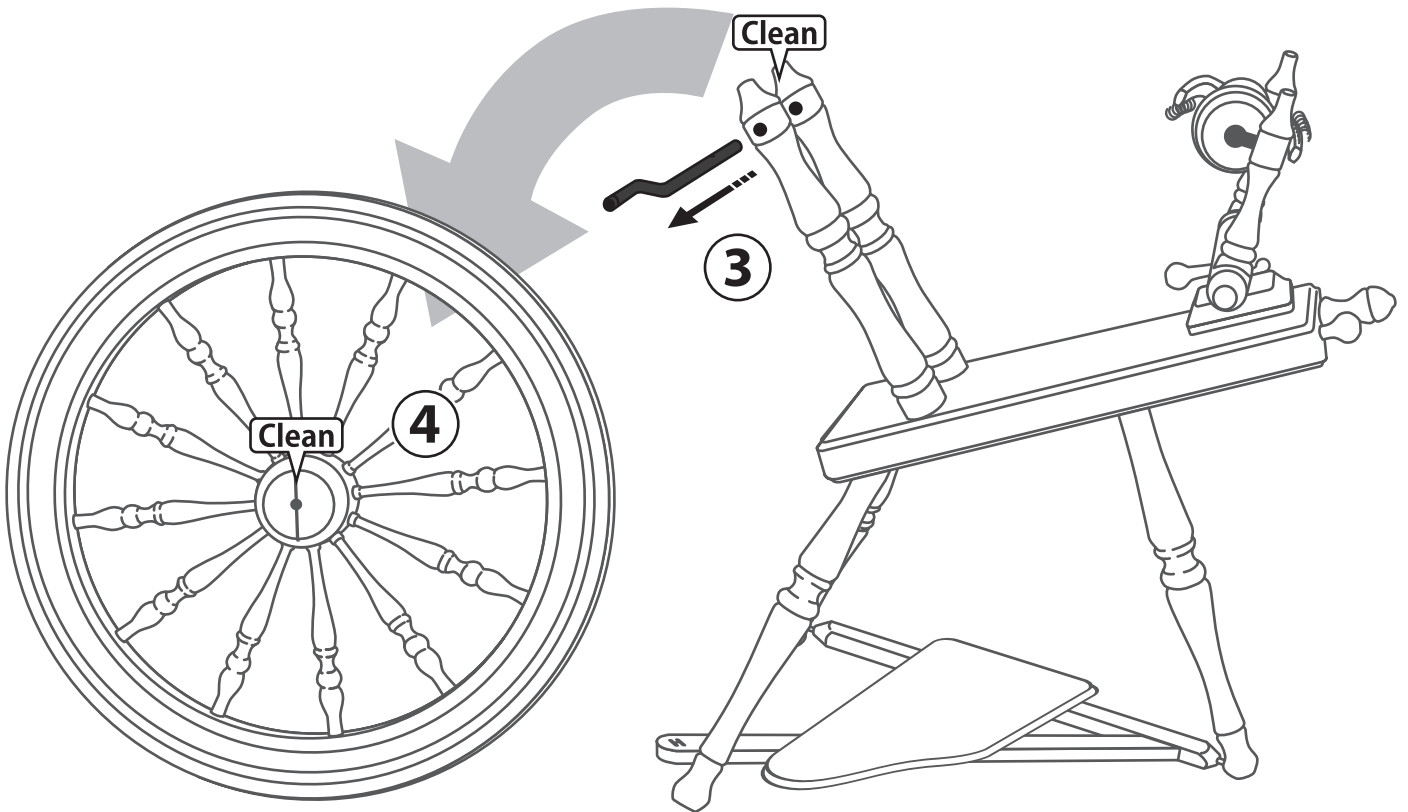
Check!



Note: on earlier models the hub pin is in the middle of the hub. Avoid damaging the spokes. Place a flat steel object such as pliers or a spanner over the nail and hammer it.

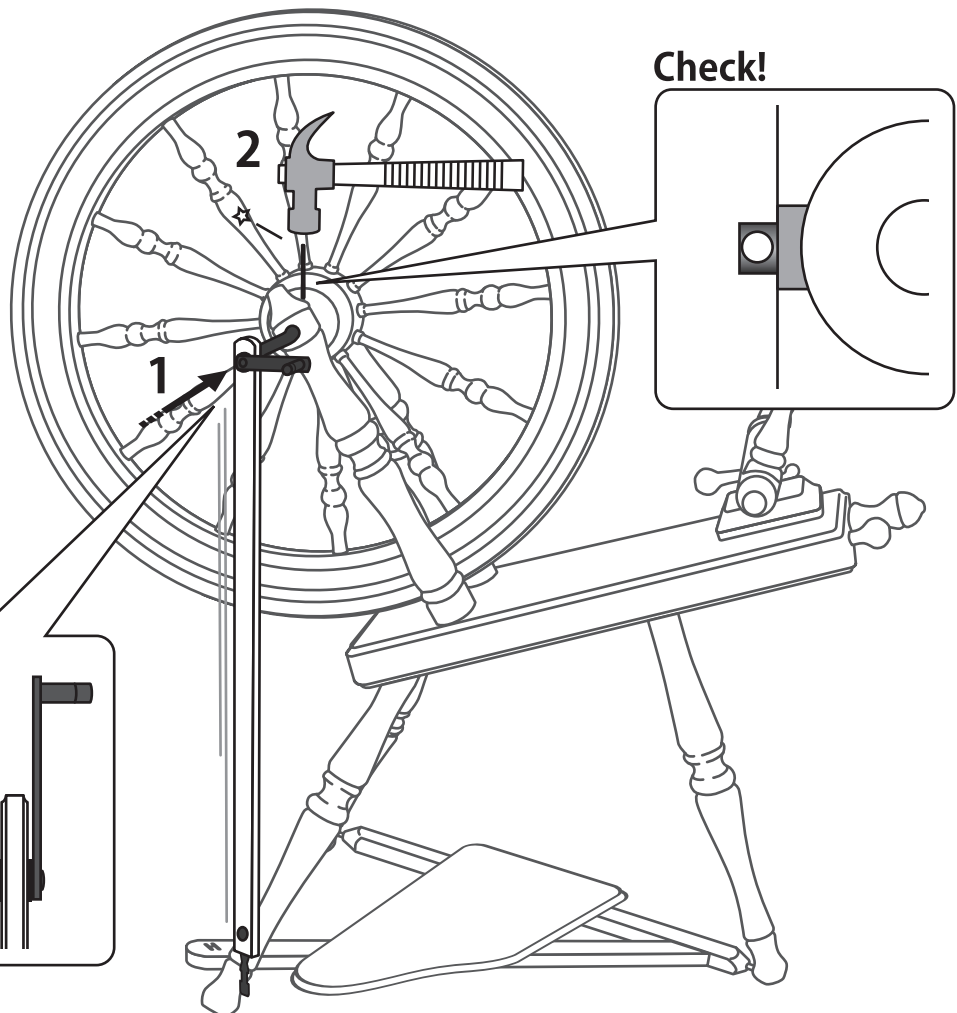
3 Remove the crank from the wheel.

4 Remove the wheel from the frame. Clean the bearings and wheel. Remove any fibres that may have collected around the crank.



5 

Replace the wheel in position.
Once the hole in the crank aligns with the slot in the hub, carefully tap the 62mm (2 1/2") hub pin through the hub and hole in the new crank.

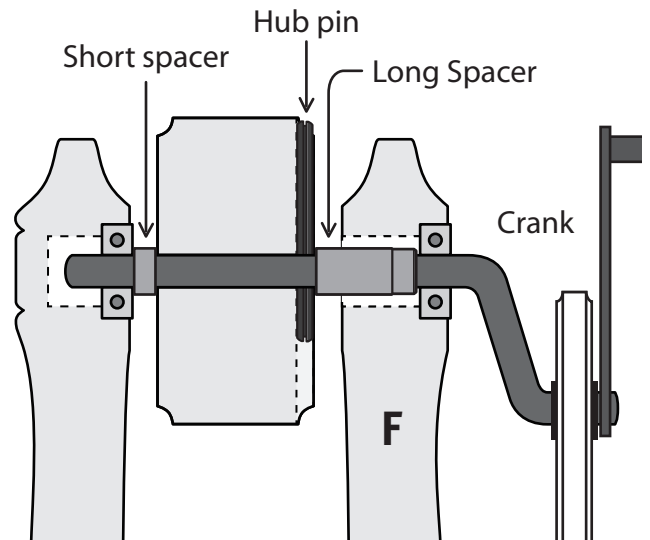


If your wheel has ball bearing, reassemble as follows.

Insert the crank through the bearing in wheel support F. Slide the long crank spacer onto the crank as shown.

Then place the wheel into position with the groove for the hub pin away from the spinner and push the crank through the hub. Turning the wheel as you push will make this easier. Stop when the crank protrudes about 3mm (1/8") through the hub.

Then slide the short crank spacer onto the crank. It is easier if you hold the spacer with a pair of fine pliers or scissors. Then push the crank through the hub and into the ball bearing until the hole for the hub pin aligns with the slot in the hub.



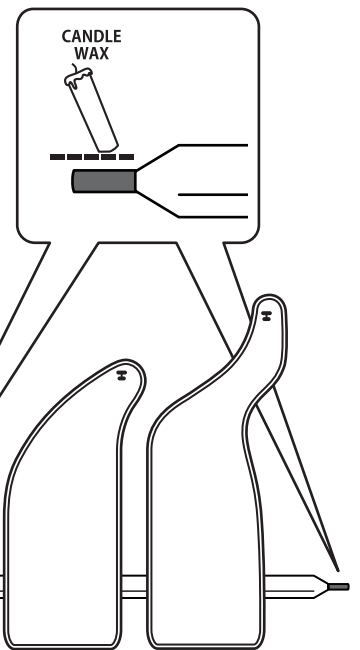
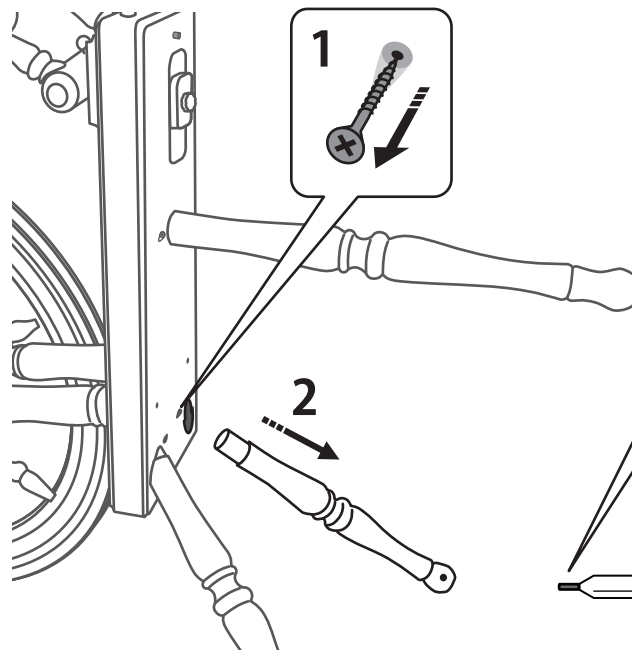
6



Loosen the screw holding the rear leg to the base. Remove the leg and old treadle rail.

Rub candle wax onto the steel pins projecting from the new treadle rail.

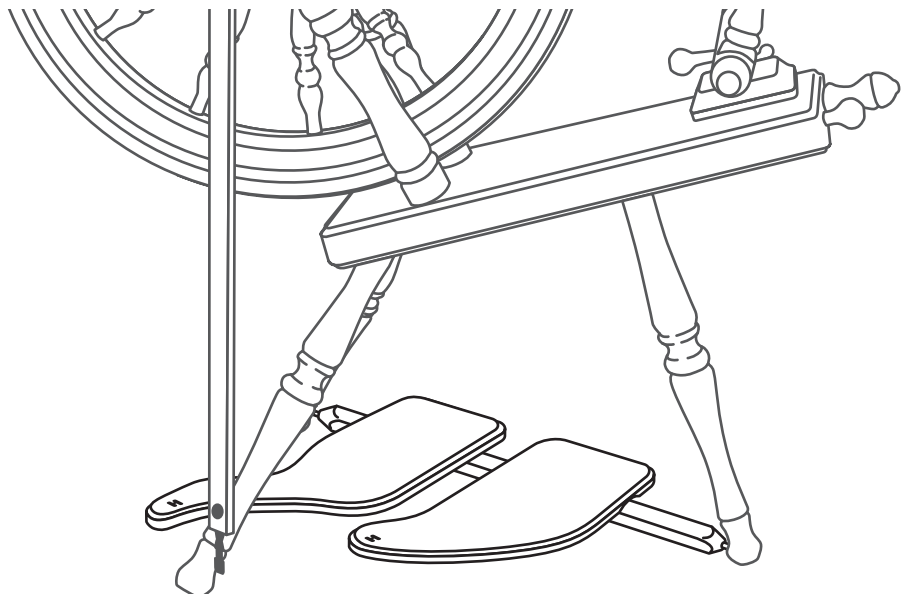
Place the Double Treadle Assembly into position between the two legs.



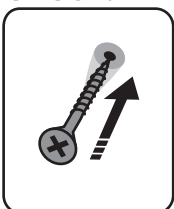
7



Push the rear leg back into the base and retighten the screw. Then sit the wheel back on its feet.



Check!



8

Set the treadle assembly on the edge of a table. Insert the conrod joint on the inside conrod into the shorter treadle board.

Then the conrod joint in the outside conrod into the large slot in the longer treadle board.

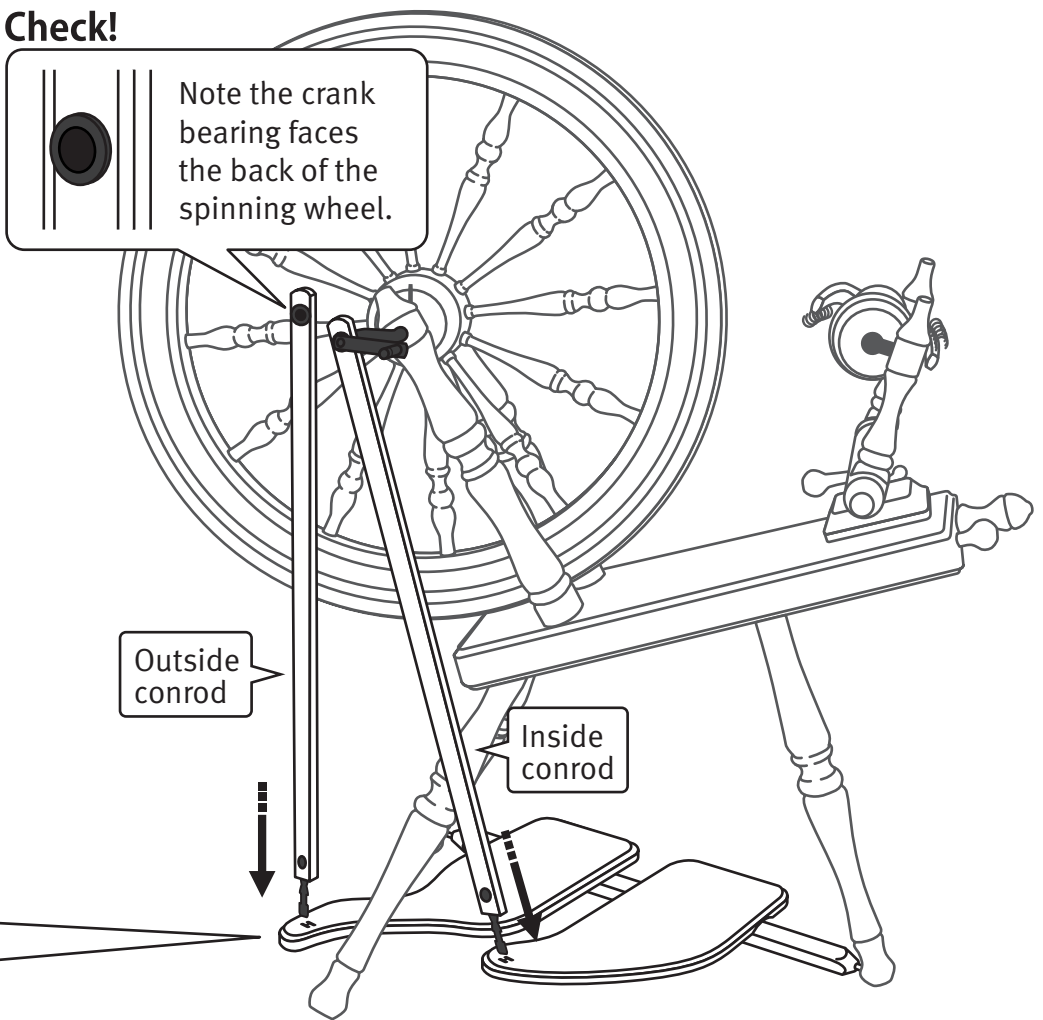
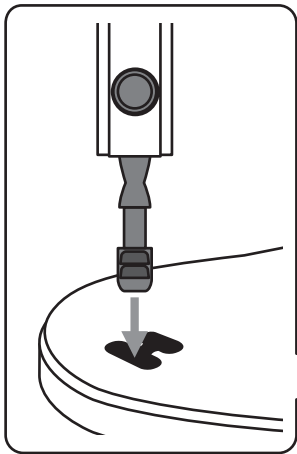
Check!

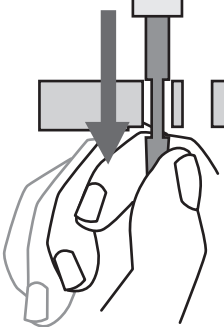

Note the crank bearing faces the back of the spinning wheel.

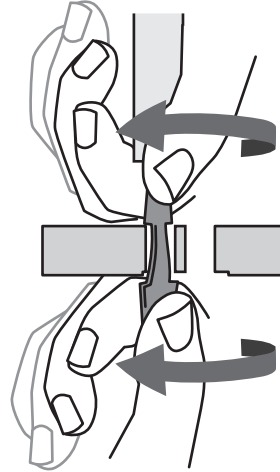



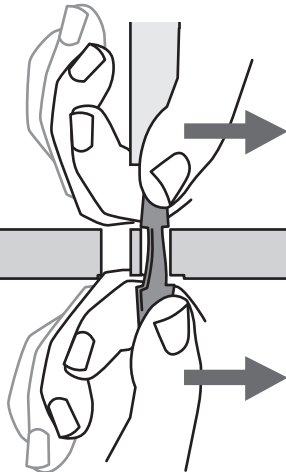

Outside conrod

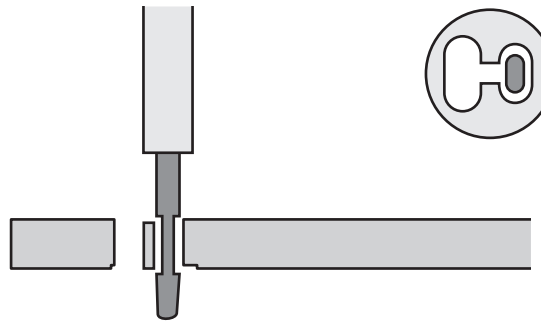

Inside conrod



1  
Hold the conrod joint with one hand on either side of the treadle rail.

2  
With both hands, turn the conrod joint a 1/4 turn,

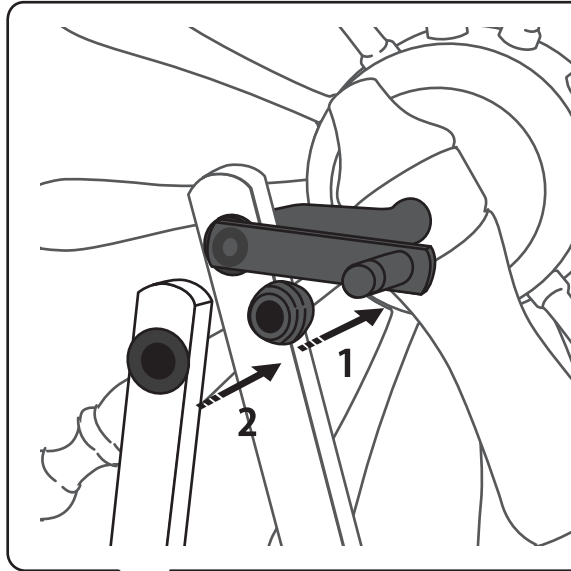
3  
stretch and slide it into the small slot and turn it back a 1/4 turn until it clicks into place.

4  

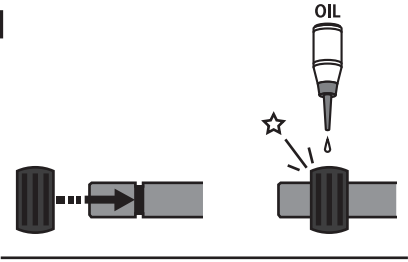
9



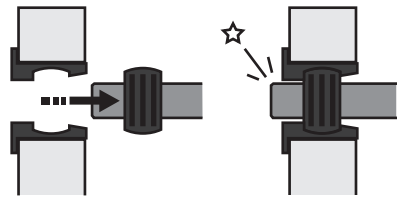
Slide the inner shell of the conrod universal joint onto the crank until it clicks into the groove. Then click the outside conrod onto the universal joint on the crank.



1



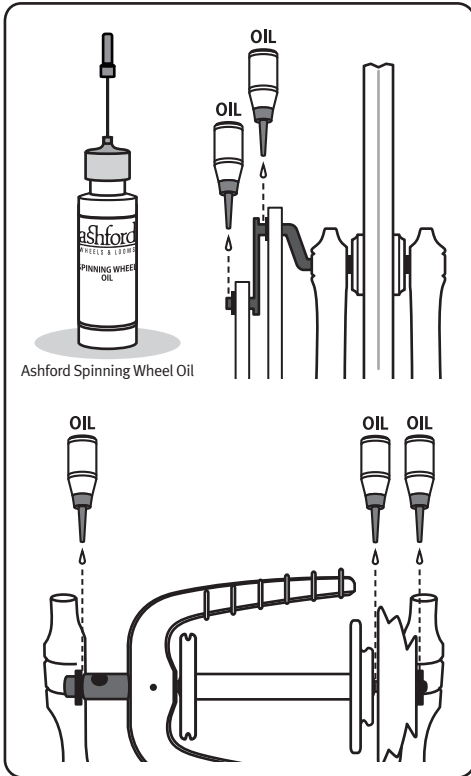
2



10

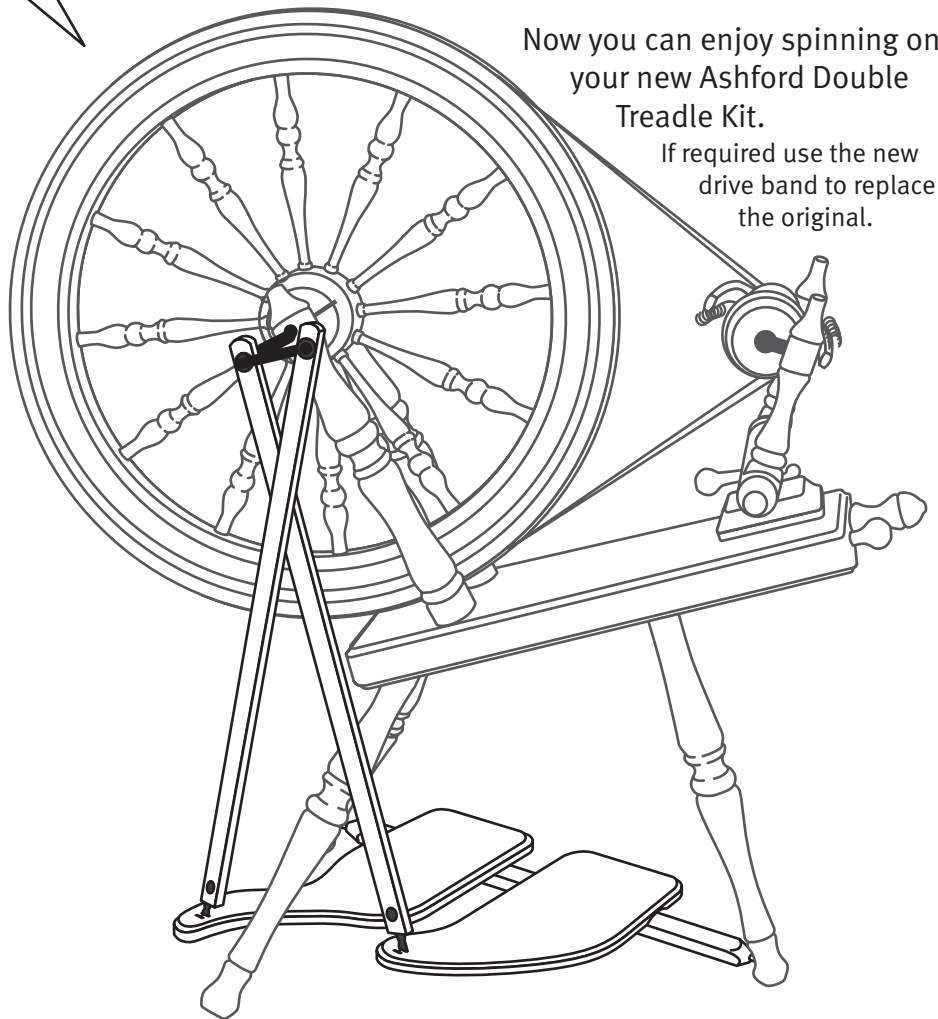


Lubricate all moving parts with Ashford Spinning Wheel Oil.



Now you can enjoy spinning on your new Ashford Double Treadle Kit.

If required use the new drive band to replace the original.

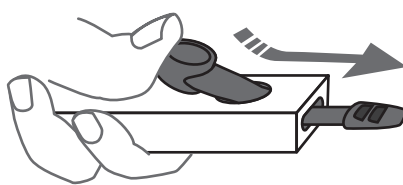


Memo

How to insert the polyurethane conrod joints into the conrod.

*This has been pre-assembled in the factory.

1



2

