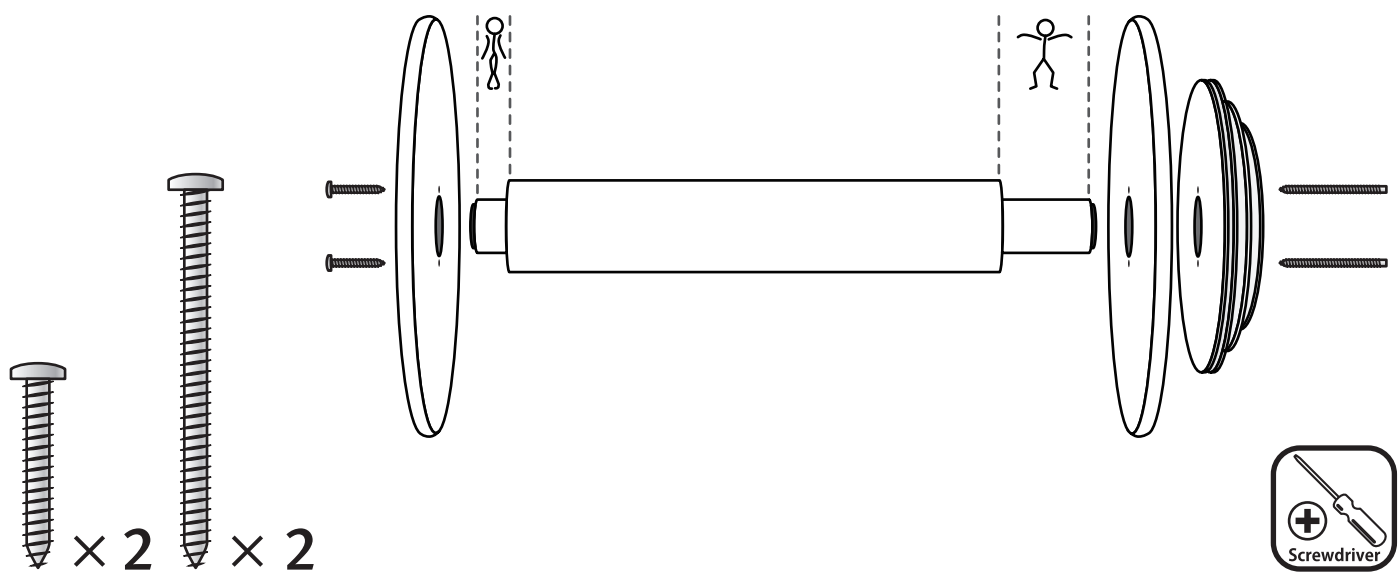


ASHFORD COUNTRY SPINNER BOBBIN



Assemble the bobbin by aligning the screw holes in the bobbin end, whorl and long end of the bobbin centre. Then push the bobbin end and whorl onto the bobbin centre keeping the holes aligned and secure with 50mm (2") round head screws. Align the screw holes in the other bobbin end and short end of the bobbin centre. Push the bobbin end onto the bobbin centre keeping the holes aligned and secure with 25mm (1") round head screws.

CSB240717V4