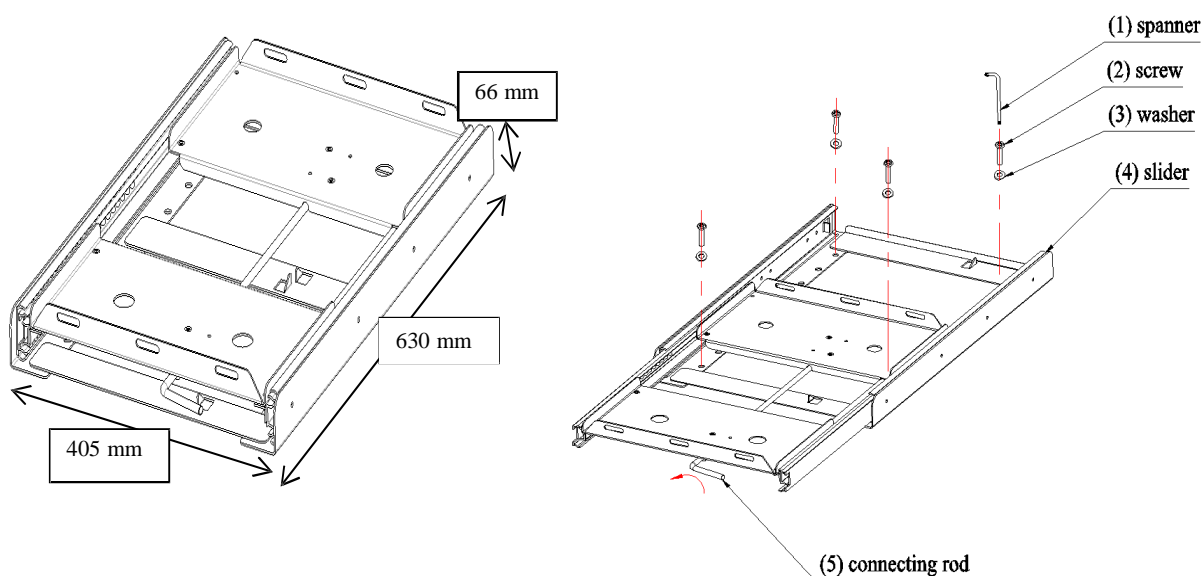


USER MANUAL - FRIDGE SLIDE



1- INSTALLATION INSTRUCTIONS

The slide has to be secured at a minimum of 6 equally spaced points across the base frame. Depending on the surface that the slide is being attached to, it can be secured using self-tapping screws or nuts and bolts through the predrilled holes located along the base frame.

Install the fridge only once the slide is secured in position. Steps:

- Place the slide in position where you want to install it with the release handle facing in the direction that the slide is to pull out from.
- Extend the slide slowly by rotating the release handle in an anti-clockwise direction until fridge tray is released.
- Commence installing the fasteners starting from the rear and moving forward using the pre drilled holes.
- If the slide is not moving smoothly, loosen the fasteners slightly (it may happen especially if the mounting surface is covered in a carpet material).
- When all fasteners are in place, slide installation is completed.

2- OPERATION

Put the slider on the trunk, rotate the connecting rod and pull it to the middle kit. Use the spanner tighten to screws to the trunk.

3- WARNING

Tie up the refrigerator fixed in the slider and make sure the slider using the trunk is fixed; the slider load most 100 Kg. Fasten the belts tight.