



200 SERIES

LandCruiser



Installation Instructions



LC200 Emuwing Installation Instructions

Due to the intrusion of the hinge this product is not suitable for vehicles that passengers in the seats adjacent to the Emuwing. The Emuwing is designed as an addition to a storage system and should be removed if the seats adjacent to the Emuwing are ever reinstated.

Parts List

 <p>Frame 1 per side</p>	 <p>Wing Panel x 1 per side</p>	 <p>Glue and Nozzle x 1 per kit</p>
 <p>Support Brackets x 2 per side</p>	 <p>Hinge & Faceplate – One front & One rear per side (Pre-Assembled)</p>	 <p>Weather Seal, 1 per side cut to length</p>
 <p>Gas Struts – two per side</p>	 <p>Panhead bolts x 4 per side</p>	 <p>Emuwing Flyer x 1 per kit</p>
 <p>M4 Nyloc Nut x 8 per side</p>	 <p>M4 Nyloc Washer x 8 per side</p>	 <p>M4 Hex Bolts x 8 per side</p>
 <p>Chalk Pen x 1 per kit</p>	 <p>Keyring x 1 per kit Keys x 2 per side</p>	 <p>Installation Instructions</p>  <p>Model specific installation instructions x 1 per kit</p>

Other items and Tools Required:

- Allen Key 3mm
- Medium size Phillips's head screwdriver
- Eight to Twelve Clamps per side
- Spanners and or sockets (7mm, 8mm, 10mm, *27mm)
- Caulking/Glue gun
- Wax and Grease remover or other solvent that leaves no residue
- Clean rags or kitchen paper
- Masking tape
- Heat Gun

*Glass models only

LC200 Emuwing Installation Instructions

Due to the intrusion of the hinge this product is not suitable for vehicles that passengers in the seats adjacent to the Emuwing. The Emuwing is designed as an addition to a storage system and should be removed if the seats adjacent to the Emuwing are ever reinstated.

Contents

1: Remove the existing rear window and mark the interior trim for cutting.	3
- Remove interior trim, glass and rubber	3
- Marking interior trim for cutting.	3
2: Installing the frame.	4
- Positioning the frame.	4
- Gluing the frame into place.	4
- Cutting interior trims.	5
2: Attaching the door panel.	6
- Tighten the support brackets	6
Figure 4	6
- Attach the hinges.	6
- Placing the door panel.	6
- Securing the door panel	6
- Attach the gas struts	7
3: Adjusting the door panel depth and fitting the weather-strip.	7
- Adjustments – left/right and up and down.	7
- Applying the weather-strip.	7
- Primer	7
- Adjustments – Depth.	7
- Thread locking compound – handle/cam screws.	8
- Plastic grommets.	8
4: Glass supplement.	8

The following instructions detail the installation of your new EmuWing kit; allow a total of three to four hours fitting time for each panel excluding curing time. Read the instructions thoroughly before starting. Allow any additional time that may be required for rust repairs.

LC200 Emuwing Installation Instructions

Due to the intrusion of the hinge this product is not suitable for vehicles that passengers in the seats adjacent to the Emuwing. The Emuwing is designed as an addition to a storage system and should be removed if the seats adjacent to the Emuwing are ever reinstated.

We have installations on our YouTube channel which may be worth looking at before beginning.

Note: The radio antenna is embedded in these windows and will need to be replaced.

1: Remove the existing rear window and mark the interior trim for cutting.

- Remove interior trim, glass and rubber.

We recommend contacting a glazier to have the window removed as the panel is glued in place, however if you do decide to cut this out yourself there are some great guides available via our YouTube channel which may help. Something worth investing in for this job would be a windscreen removal tool. Beware as there are plastic clips within the existing glue that are difficult to cut through.

The interior trim on the 200 series is in multiple sections and simply clips into place, after removing any handles and seatbelt mounts carefully pull the panels off being careful not to lose or break any of the plastic clips, they may become brittle with age.

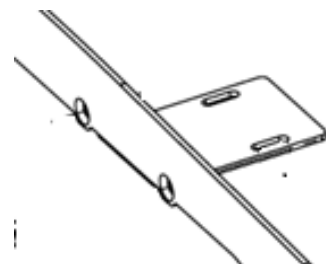
The upper interior trim is held in place with plastic connectors that are designed to allow the airbag to deploy, these are difficult to remove and may need to be cut.

After removing the rear window, wash off any dirt and carefully remove as much residual glue from around the seam as you can. The previous glue does not have to be completely removed but you should ensure the Emuwing frame can be mounted as close to the car body as possible by removing any excess glue.

- Marking interior trim for cutting.

Once the windows have been removed, reinstall all the interior trims temporarily, once they are all mounted in the original position, they will overhang the outside of the car. The frame of the EmuWing will sit flush against the body so any excess material needs to be marked and removed.

Before removing the interior trim, you can also mark the top support bracket as this requires an additional 5mm of material to be removed. Hold the frame against the car and mark the position of the top supports of the frame onto the plastic interior trim. (Figure 1). Once the trim has been marked up it can be removed and cut.



Support bracket on frame
Figure 1

LC200 Emuwing Installation Instructions

Due to the intrusion of the hinge this product is not suitable for vehicles that passengers in the seats adjacent to the Emuwing. The Emuwing is designed as an addition to a storage system and should be removed if the seats adjacent to the Emuwing are ever reinstated.

2: Installing the frame.

- Positioning the frame.

The frame is supplied assembled and should be fitted to the car as supplied with the support brackets in place (Figure 2) – use some tape to hold them in place whilst positioning the frame. Firstly, the top interior panel must be trimmed and refitted prior to installation of the frame. This will be next to impossible to install once the frame has been glued in place.

The side and bottom trims around the window should be removed prior to installation of the frame so clamps can be attached easily.



Figure 2.

Refit the top interior trim only and retest to ensure the frame sits flush against the body of the vehicle before applying any glue, if further trimming is required ensure this is done before applying any glue. We reiterate the top panel cannot be re-fitted easily once the frame is glued in place.

At this point place a clamp on each corner of the frame, the frame will easily mould to the car. Apply some masking tape around the frame, this will help with glue clean up later in the process.

The frame should be mounted centrally ensuring an even space all around when gluing into place.

- Gluing the frame into place.

Remove the frame and clean the back thoroughly and around the rear window seam ensuring no residuals are left on either surface. Wearing gloves will ensure no grease or oils from your hands contaminate the surfaces.

Apply an even consistent bead of Sikaflex around the inside edge of the window seal on the car – approximately 6/7mm wide, increasing the bead slightly to 8/9mm around the corners.

There is plenty of glue in your kit for a practice run before putting anything on the car.

Make sure there are no gaps in the bead, and it is consistent around the window.

Make sure your clamps are to hand before placing the frame.

Place the frame into position and place clamps firstly onto each corner, then along the bottom edges and sides if required.

We recommend looking closely to ensure no light can be seen between the frame and car. Use more clamps if required.

LC200 Emuwing Installation Instructions

Due to the intrusion of the hinge this product is not suitable for vehicles that passengers in the seats adjacent to the Emuwing. The Emuwing is designed as an addition to a storage system and should be removed if the seats adjacent to the Emuwing are ever reinstated. The support brackets can now be tightened just enough to put pressure on the glue on the top edge and help to support the frame in position, tighten until the glue just begins to squeeze without distorting the frame. These can be further tightened once the glue has cured.

Once the glue is applied and the frame is in place, leave to dry for at least 24 hours.

Whilst the glue is wet and the frame is clamped, carefully clean up any excess glue from around the frame.

Use an old rag to push the excess glue onto the masking tape, once all the glue has been pushed back – remove the masking tape carefully ensuring the glue remains on the tape and not all over you and the car.

The glue can be cleaned up using wax and grease remover whilst wet, do not leave it to dry as its much more difficult to remove without damage to the paintwork.

Do Not proceed with fitting any hardware to the frame until the glue has set and the frame is securely in place (at least 24 hours). (Figure 3)

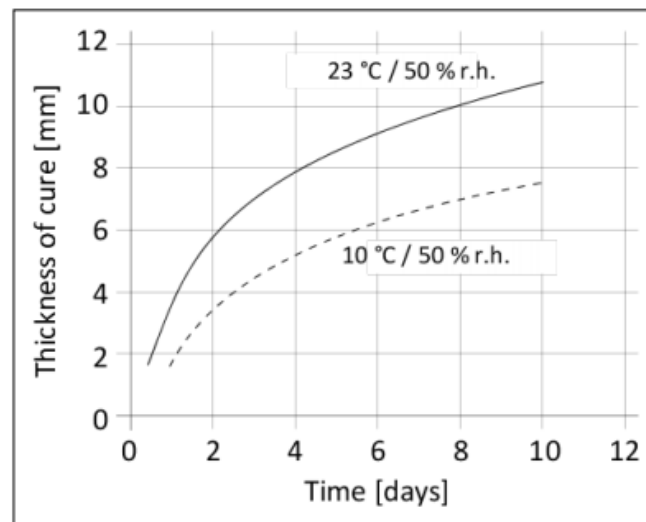


Figure 3.

- Cutting interior trims.

The interior trim can be cut in preparation for reinstallation. There is a guide on our YouTube channel worth looking up if you are not sure about these cuts. Carefully cut along the marks you made on the interior trim removing between 2mm to 5mm of material.

LC200 Emuwing Installation Instructions

Due to the intrusion of the hinge this product is not suitable for vehicles that passengers in the seats adjacent to the Emuwing. The Emuwing is designed as an addition to a storage system and should be removed if the seats adjacent to the Emuwing are ever reinstated.

2: Attaching the door panel.

- Tighten the support brackets.

Ensure the two bolts are evenly tightened so the slots in the two brackets align and the bracket is firmly against the body. (Figure 4)

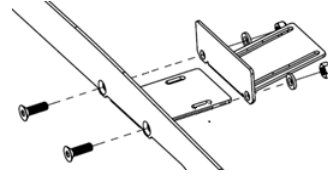


Figure 4

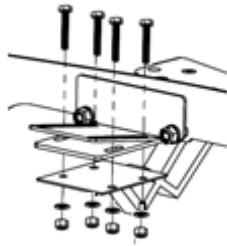


Figure 5.

- Attach the hinges.

Attach the Hinges to the frame using the supplied 4mm nuts, bolts and washers so the face plate protrudes around 8mm from the frame. The exact depth will be adjusted later. (Figure 5).

- Placing the door panel.

When the hinges are in the closed position, place the door panel centrally. We suggest using a spacer at the bottom of the door panel to lift it up slightly so that the panel is aligned correctly. Close the rear passenger doors to help.

Note: when the gas struts are attached the door panel will be pushed up as the hinges compress – try to allow for this when placing the door by positioning the panel 1 or 2 mm lower than it needs to be. (Figure 6)

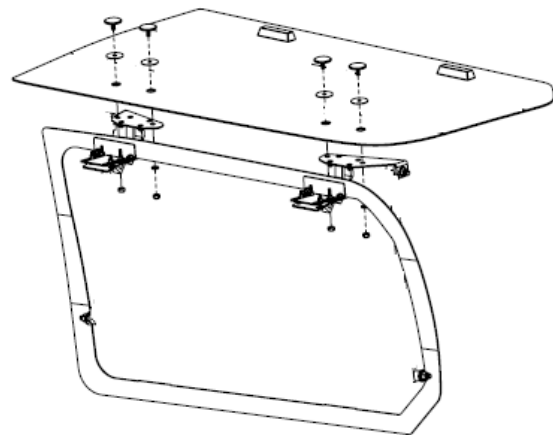


Figure 6

Close the handles so the cam latches over the frame to secure the panel in place while fixing.

- Securing the door panel.

Placing the Pan Head bolts from the outside; fit a washer and nut on the inside.

Once all four pan heads are in place and secure, check that the door does not touch the car when opening and closing. If there is any touching, adjust the door accordingly before attaching the gas struts.

LC200 Emuwing Installation Instructions

Due to the intrusion of the hinge this product is not suitable for vehicles that passengers in the seats adjacent to the Emuwing. The Emuwing is designed as an addition to a storage system and should be removed if the seats adjacent to the Emuwing are ever reinstated.

- Attach the gas struts.

Once the Door panel is adjusted as much as possible open the door and attach the struts (wider end to the top). Close the panel carefully, again watching if it touches the car as it closes. Once closed note any required adjustments to the door panel to align it with the car.

The depth of the door can be adjusted later, once the seal has been attached. At this stage we are only concerned with the position of the panel in relation to the car however if your panel sits out from the frame more than 8mm it may be worth adjusting this in to at least 8mm.

- Before loosening any nuts for any further adjustments, detach the gas struts first.

3: Adjusting the door panel depth and fitting the weather-strip.

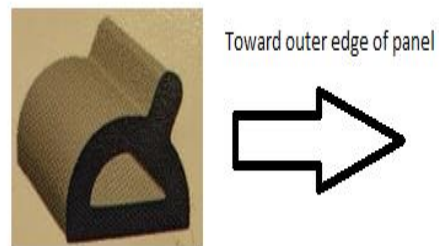
- Adjustments – left/right and up and down.

The door panel can be adjusted up/down and left/right by loosening the pan heads that attach the door to the hinge. Make note of the required adjustments and mark the current position of the hinge plate on the inside of the door before removing the struts and loosening the pan heads.

Once you are happy the door panel is adjusted into position and the gas struts are reinstalled, the weather seal can be attached to the inside.

- Applying the weather-strip.

Close the door panel and carefully mark inside the door panel around the inside edge of the frame noting the distance between the line and the edge of your frame.



- Primer

Before attaching the weather strip use the 3M primer where you will be applying the weather strip. Apply using long strokes exactly where the weather strip will be placed

Once the door has been marked and primed, the weather seal can be attached to the door following outside of the marked lines so the seal will line up on the frame (if the seal does not correctly align, moisture and dust will find its way into the back of the vehicle).



- Adjustments – Depth.

Once the weather seal has been set in place, close the door panel and check the depth to ensure it aligns with the car and compresses the rubber seal. If adjustment is required loosen the hinges

LC200 Emuwing Installation Instructions

Due to the intrusion of the hinge this product is not suitable for vehicles that passengers in the seats adjacent to the Emuwing. The Emuwing is designed as an addition to a storage system and should be removed if the seats adjacent to the Emuwing are ever reinstated. from the top supports (the gas struts do not need to be removed but beware they may try to push the door outwards), apply pressure evenly to the outside of the door where the hinge meets the door until you see the rubber compress, and then re-tighten the bolts. Another pair of hands really helps here, ensure the gap is the same on both front and back hinges.

You may also need to bend the cams on the door locks to compress the bottom part of the rubber seal. To do this remove the cam by taking the screw out from the back of the door handle. Put the cam into a vice so that any bend is applied away from the square hole – do not distort or bend this part of the cam. Bend slightly and then retest until the rubber on the panel compresses equally top and bottom.

- Thread locking compound – handle/cam screws.

The small screw holding the handle and cam in place has not had thread locking compound applied to facilitate any bending required. **It is essential this is applied onto these screws to ensure you retain your handles.**

Close the Emuwing and leave the car in the sun for a few hours to activate the glue on the back of the weather seal – leave the wing closed for around 24 hours while the glue on the weather seal sets. The panel needs to get hot to the touch to activate the glue on the rubber and ensure long term adhesion. A heat gun may assist in colder weather.

- Plastic grommets.

You will find some black plastic grommets in the kit, these are used to fill the holes left by the clips that held the original window, this will ensure you stay dry and dust free in the vehicle.

The interior panel may require some additional trimming at the bottom to allow the door handle cams to close.

Place the interior panel into position and mark where it will need to be cut and check clearances before putting everything back together.

If additional help is required, please feel free to give us a call on +613 8592 1926 between the hours of 10am and 4pm AEST – Monday to Friday.

4: Glass supplement.

Please note the following:

LC200 Emuwing Installation Instructions

Due to the intrusion of the hinge this product is not suitable for vehicles that passengers in the seats adjacent to the Emuwing. The Emuwing is designed as an addition to a storage system and should be removed if the seats adjacent to the Emuwing are ever reinstated.
****The handles have been assembled in order so take note when disassembling.**

When reassembling, you must use some thread locking compound on the threads to prevent them loosening. Failure to do so may result in the loss of the entire assembly including the handle and lock, this will not be covered under warranty.

We recommend tinting the glass prior to installation, this ensures the weather strip will not deteriorate faster than usual due to UV exposure.

Instructions:

1. Ensure glass is tinted and dry before attempting assembly.
2. Disassemble handles noting the order of reassembly, the panel is located between the two rubbers when reassembling.
3. Use sufficient Loctite on the coarse threads of the barrel.
4. Tighten the barrel nut until the rubbers are compressed ensuring a good seal.
5. Assemble and insert handles.
6. Ensure thread locking compound is used on the 10mm bolt securing the cam latch.

Prior to installation of the Emuwing kit the handles should be reassembled into the glass panel using a thread locking compound on the large barrel nut, apply enough to ensure this barrel nut will not loosen.

Do not use thread locking compound on the screw holding the cam in place at this stage, this is done later in the installation process.

Website: emuwing.com.au

Phone: +61 3 9017 1614

Email: info@emuwing.com.au



For Distributor and Installer enquiries please email sales@emuwing.com.au

**9/146 Northbourne Road
Campbellfield
Victoria, 3061**

ABN: 84 617 251 733