

# Owners / Operators Manual

## WeedRazer®



Model # WRZ09

### **WARNING**

The WeedRazer is designed for cutting submerged, partially emergent or emergent aquatic vegetation from underwater. Any other use is strictly prohibited.


Before using the WeedRazer, please read this manual carefully to understand the proper use of the unit.

### **WARNING**

The WeedRazer blade (s) are razor sharp. Blade cover should be on while assembling the tool and when tool is not in use. Failing to comply can result in severe lacerations, dismemberment and even death.

## English

### **SAFETY FIRST**

Instructions containing a warning within this manual are marked with a symbol  that concern critical points which must be taken into consideration to prevent serious bodily injury. For this reason you are requested to read all such instructions carefully and follow them without fail.

### **WARNINGS IN THE MANUAL**

#### **WARNING**

This mark indicates instructions which must be followed in order to prevent accidents which could lead to serious bodily injury or death.

#### **NOTE**

This mark indicates hints or directions useful in the use of the product.



**Keep out of reach of children.**

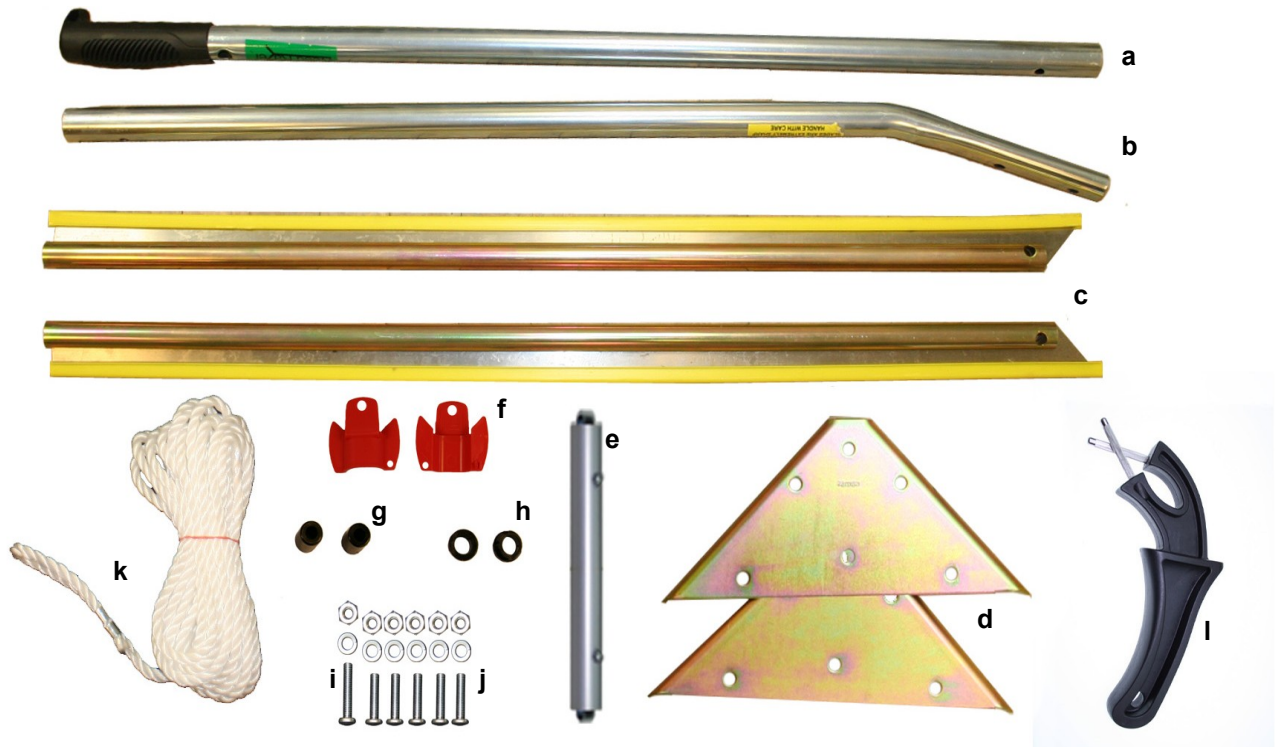
**Do not use with children in immediate area.**



## Contents

1. Parts List .....	i
2. Assembly Instruction .....	ii
3. Blade Sharpening Instruction .....	ii
4. Operating Instruction .....	iii
5. Safety Instructions .....	iii

## Parts List



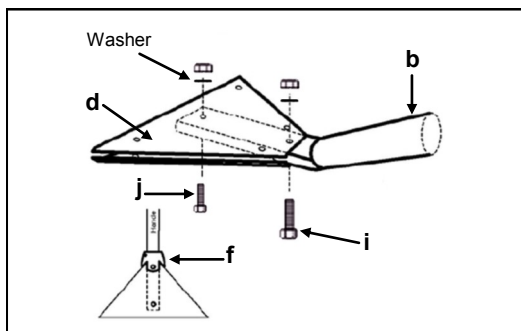
Ref. letter	Part Number	Description	Quantity
a	WRZHD09	Handle	1
b	WRZHA09	Handle (Angle)	1
c	WRZBL09	Blade(s)	2
d	WRZSB09	Support Bracket	1
e	WRZHC09	Handle connector	1
f	WRZWD09	WeedDeflector	1
g	WRZNS09	Nylon Spacer	2
h	WRZBU09	Bushing	2
i	WRZW509	1.5" Bolt, Nut, and Washer	1
j	WRZW209	1.2" Bolts, Nuts, and Washers	5
k	WRZRP09	Rope (25 feet)	1
l	WRZSR09	Blade Sharpener	1

Please refer to the Ref. letter when assembling the tool and Part number when placing order for replacement part

# Assembly Instructions



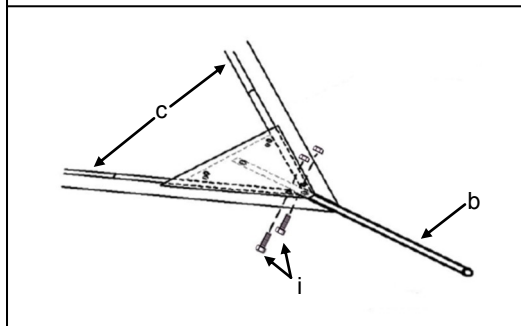
Read all instructions before assembly and use. **Do not remove the blade cover when assembling.**



## Step 1

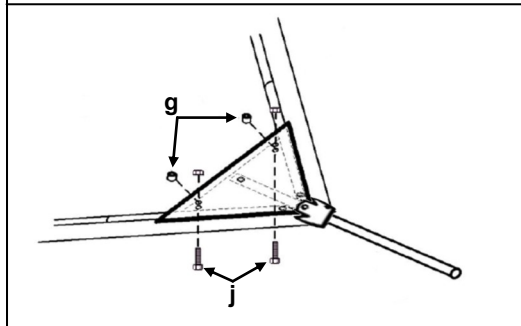
Bolt (j) the cutting edge support brackets (d) to the handle (b). The turned up edges of the brackets should be facing each other. The flatter bent portion of the handle should face up. Snap the two halves of the red plastic Weed Deflector (f) around the handle (b) at the top of the support bracket (see figure above).

Insert the pin from the back piece through the hole into the front piece until it pops into place. Bolt (i) should slide through the tab with a hole in it on the front piece of the Weed deflector (f).



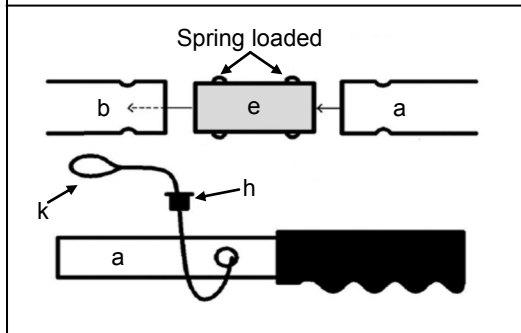
## Step 2

Insert each blade (c) into the support bracket (d) with the cutting edge facing out. Insert bolts (i) from the bottom as shown. Secure bolts loosely.



## Step 3

Insert nylon spacers (g) as shown. Tighten all bolts, Do not over tighten bolt (i) at the top of the support bracket. This bolt should be snug. Over tightening could crack or damage the Weed Deflector.



## Step 4

Handle Assembly—Press the spring loaded buttons on one end of the handle connector and slide it into one half of the handle and turn it until the buttons snap into the holes in the handle. Repeat this process for the other half of the handle. Insert the end of the rope (k) without a loop into the bushing (h) as shown. Insert the same end of the rope into the hole in the handle and pull it through the other side. Slide the second bushing on to the end of the rope with the narrow end of the bushing facing the handle. Insert both bushing into the holes in the side of the handle. Slide the end of the rope through the loop in the other end of the rope.

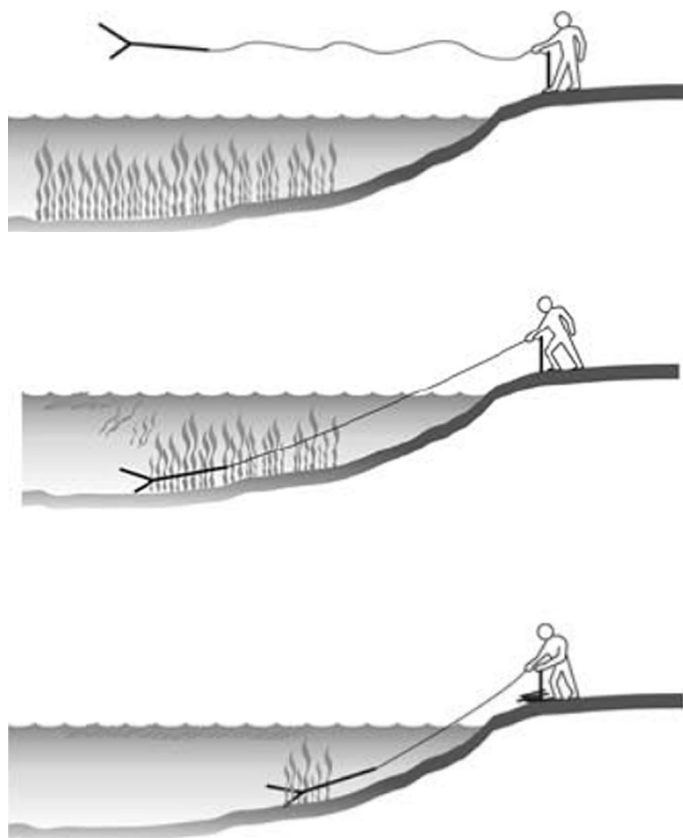
# Blade Sharpening Instruction



Figure i.

1. Stand the assembled Weed Razer up.
2. Rest the handle of the Weed Razer against a building or wall.
3. Kneel or sit in front of the Weed Razer in a stable position (**Figure i**). Do not sharpen while standing or leaning over the cutting edge.
4. Hold the sharpener with the thumb resting on the flared ridge of the sharpener. Wear leather gloves to protect your hands if you slip while sharpening.
5. Run the sharpener down the cutting edge in four to six strokes using less pressure as the edge gets sharper. Press one edge of the sharpener's steel on the edge of the blade you want to sharpen then switch to the other steel for the other side of the blade.
6. To sharpen the opposite cutting edge, either switch hands or turn the Weed Razer around so the opposite edge is in position for sharpening.

# Operating Instructions



## Step 1

Secure the rope (tie it around a post, or step on the rope).



If you are on a dock, tie the rope to a post so you don't throw too far.

## Step 2

Remove the blade covers.

## Step 3

Toss the WeedRazer out (using under hand motion) and over the area to be cleared.



The Weedrazers is most effective when the tool lands in water, if not the tool tends to ride over the vegetation.

## Step 4

Let it sink.

## Step 5

Retrieve the WeedRazer in a jerking motion.

## Step 6

Repeat Step 3 to Step 5 as needed.

## Step 7

Inspect. If it comes back with many weeds it may be time to sharpen the blade.



Cutting weeds when the wind is blowing towards the shore makes removal easier.

**NOTE:** It is important to remove cut vegetation from the water. If not removed, the decaying vegetation will provide an additional food source for re-growth growth. The WeedRaker is a perfect tool for this purpose. It is the longest and widest aquatic rake in the industry. Ask your retailer for details.



## Safety Instructions



Do not pull behind the boat



Do not pull behind the vehicle or, any mechanical device

1. The WeedRazer is to be **operated by hand only**. Do not pull the weedrazer behind a boat, or any other machine driven equipment.
2. Do not use with children in immediate area.
3. Do not use the Weedrazer when humans and/or animals are present within 100 feet from the launch point.
4. Use protective gloves (thick leather gloves recommended ) while handling the WeedRazer.
5. Do not place or use near electrical wires or cords.
6. Never touch the sharp edges of the blades with bare hands at any time.
7. Leave blade covers on the cutting edges when not in use.
8. Check all bolts, connections and rope before use.
9. Avoid areas with underwater structures.
10. When not in use, store in a safe location out of the reach of children.

**NOTE:** Failing to comply can result in severe lacerations, dismemberment and even death.

