

Raf-TH1200 Needle Washing Machine Specification Sheet



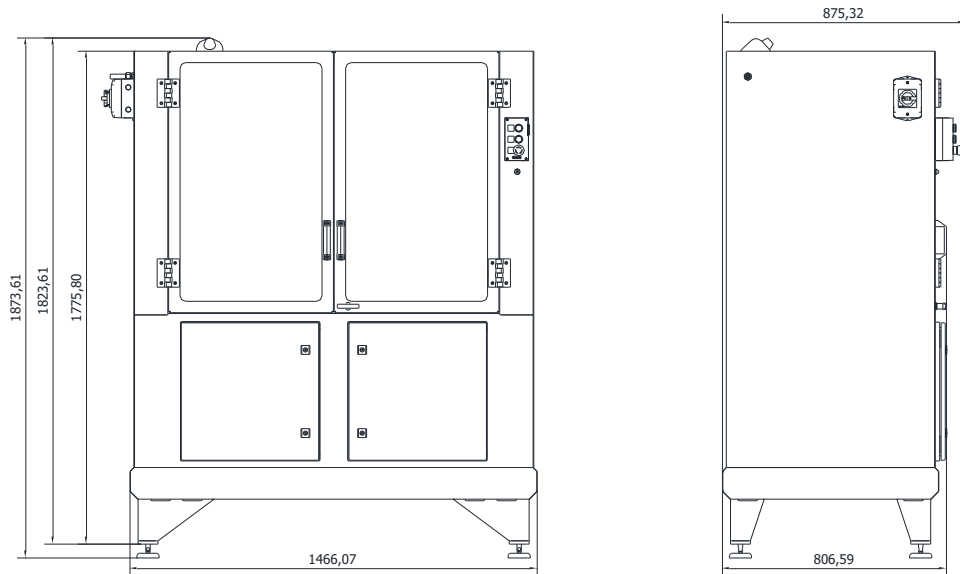
RAF

Raf ehf
Bæjarhraun 20
220 Hafnarfirði

T: +354 4626400
Kt. 5202833569

raf@rafehf.is
www.rafehf.is

Dimensions



All measurements are in mm

Specifications

Main Body, Material	316 steel, sandblast finish and acid washed
Bushings, material	Polyacetal POM
Voltage	3 x 380-480V 50/60Hz
Maximum Power consumption	0,63 kW
Maximum Air Consumption	20 L/min at 6 bar
Water Inlet Pressure	200bar max
Water Usage	5L/min at 200 bar
Certifications	CE / UL
Program Time Length	20 min
Interface	ON/OFF push buttons
Interface Language	No
Worldwide Remote Connection	Yes