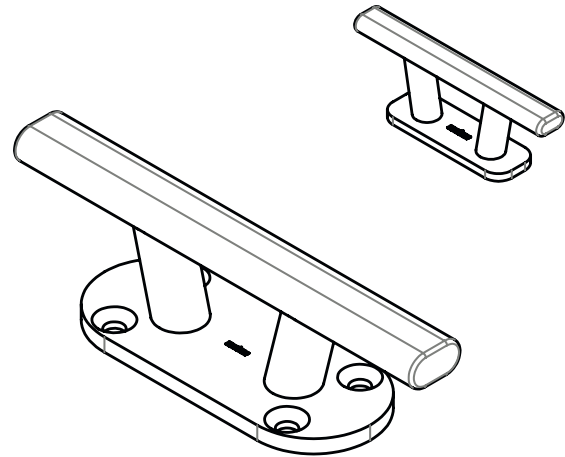
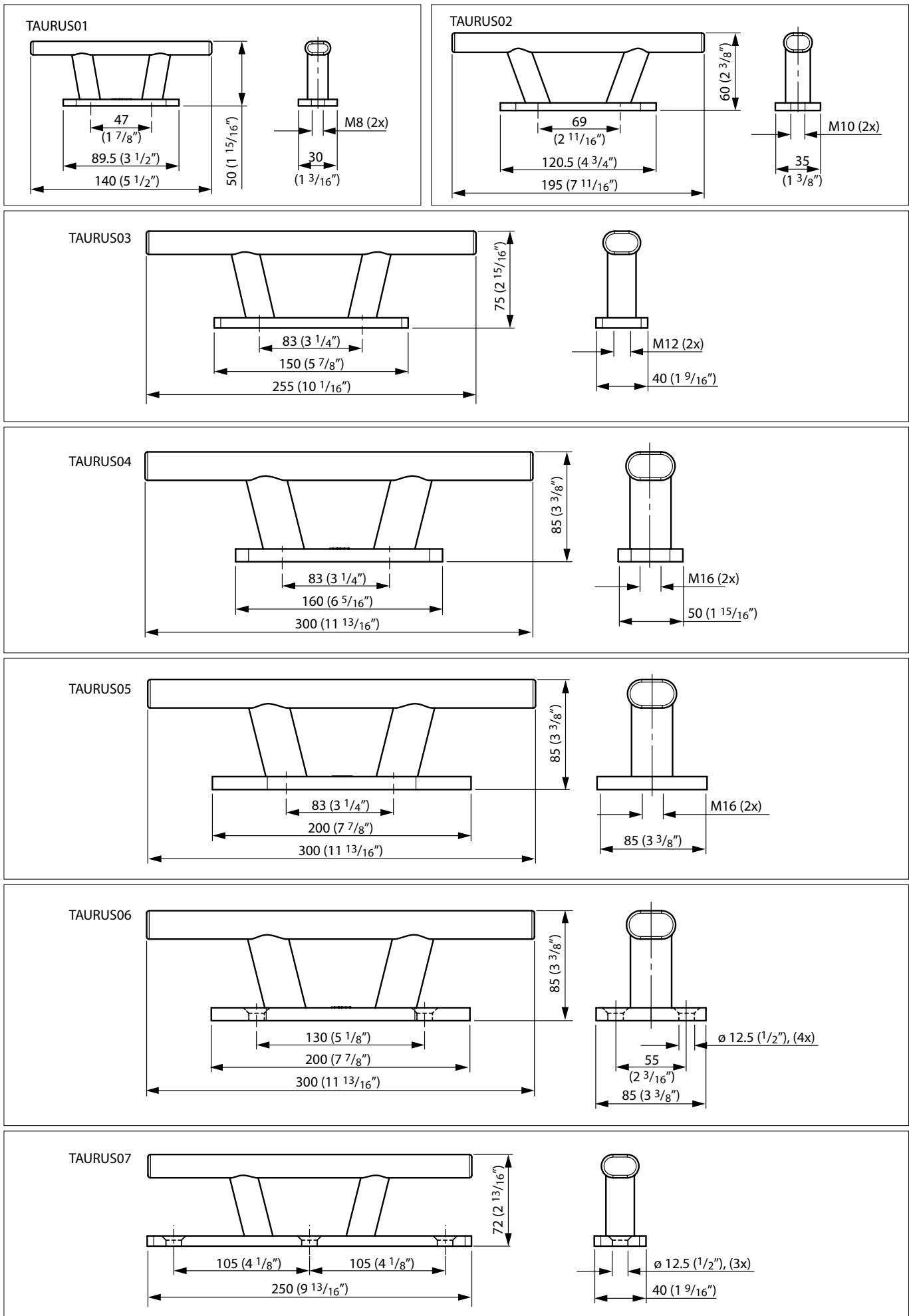


Cleat : Cleat type TAURUS
Application : Deck cleat for pleasure craft
Material : Stainless steel AISI 316
Construction : High gloss polished
Weight : See table
Relevant CE Standards : Non
Classification : Non



| Model | Safe Working Load | | | Weight | |
|----------|-------------------|------|------|--------|------|
| | kN | kgf | lbf | kg | lbs |
| TAURUS01 | 5.6 | 575 | 1270 | 0.20 | 0.44 |
| TAURUS02 | 8.8 | 900 | 1985 | 0.36 | 0.80 |
| TAURUS03 | 12.8 | 1310 | 2890 | 0.61 | 1.35 |
| TAURUS04 | 24.2 | 2470 | 5445 | 1.1 | 2.4 |
| TAURUS05 | 24.2 | 2470 | 5445 | 1.5 | 3.3 |
| TAURUS06 | 25.7 | 2620 | 5780 | 1.5 | 3.3 |
| TAURUS07 | 35.3 | 3600 | 7940 | 1.0 | 2.2 |



Overall dimensions