

ASSEMBLE INSTRUCTION FOR FRAMED CABINETS

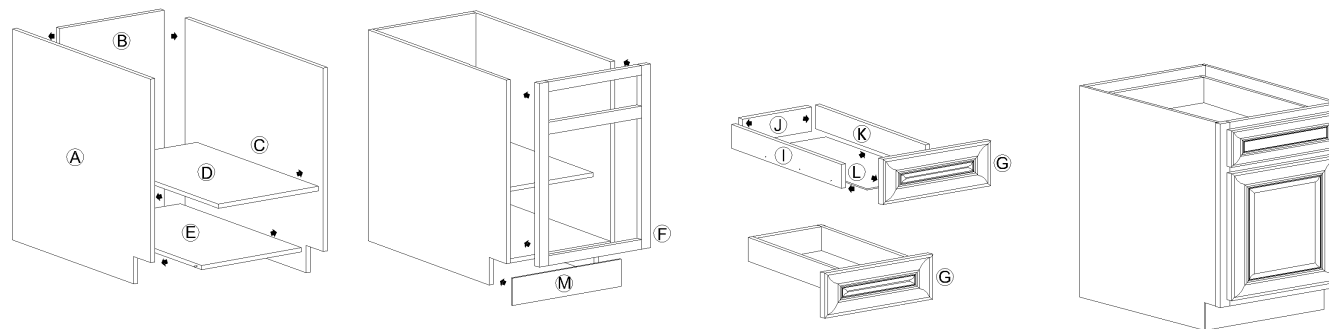
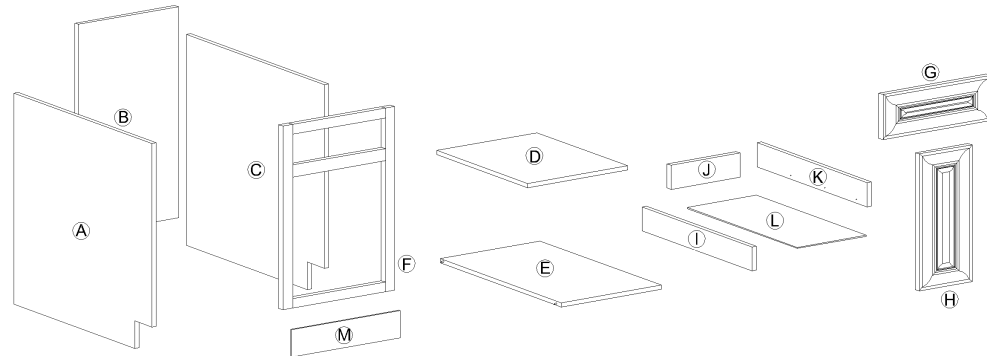
Framed Base Cabinets

1. Framed Base Cabinets - 1 Door 1 Drawer

Assembling Instruction for Framed Base Cabinet - 1 Door - 1 Drawer

AVAILABLE TYPE: B09 B12 B15 B18 B21

- A: Side Panel (Left)
- B: Back Panel
- C: Side Panel (Right)
- D: Shelf (Adjustable Height)
- E: Bottom Panel
- F: Face Frame
- G: Drawer Face
- H: Door
- I: Drawer Box Panel (Left)
- J: Drawer Box Panel (Back)
- K: Drawer Box Panel (Right)
- L: Drawer Box Panel (Bottom)
- M: Toe Kick

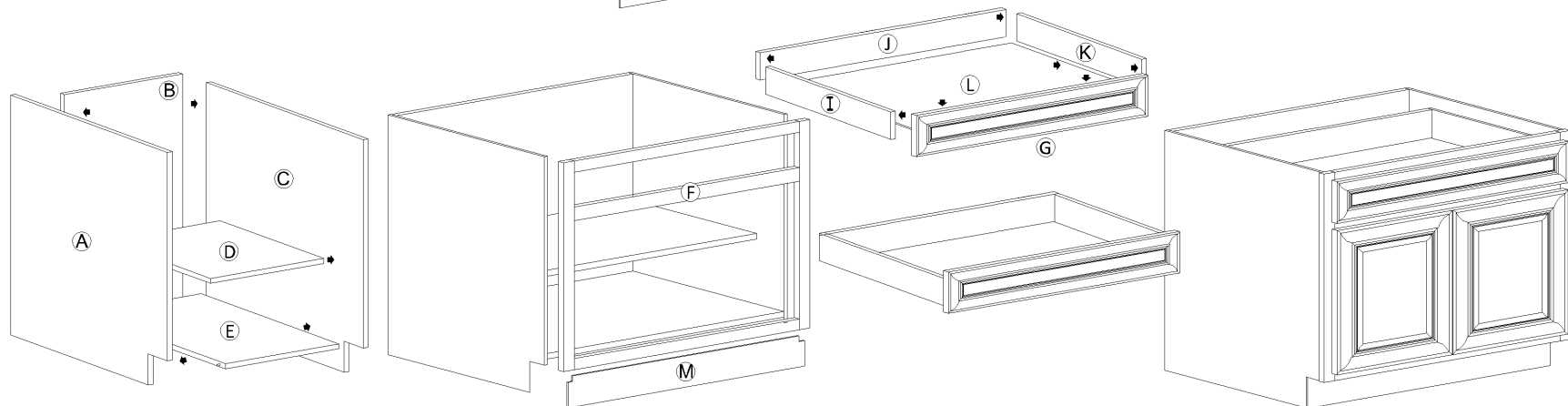
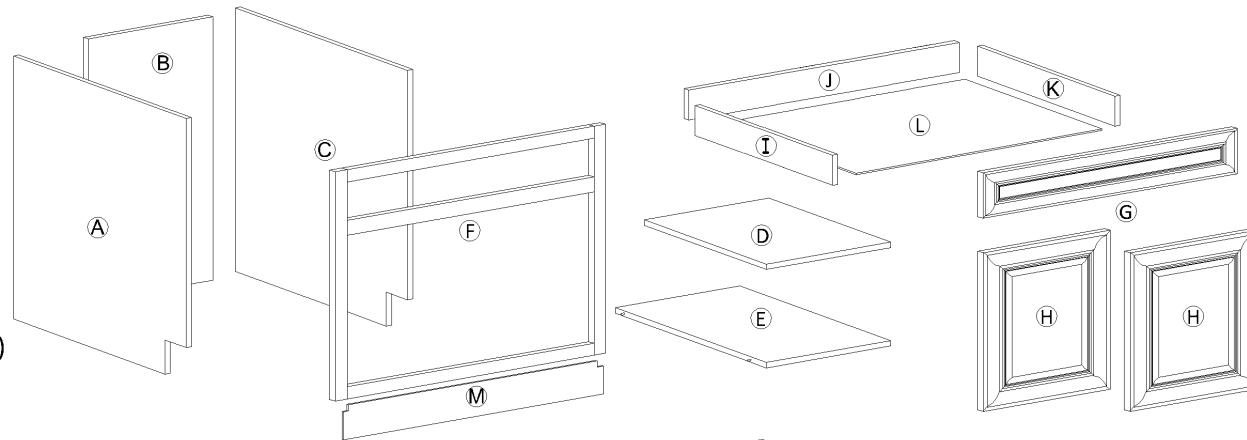


2. Framed Base Cabinets - 1 Drawer, 2 Doors

Assembling Instruction for Framed Base Cabinet-1 Drawers, 2 Doors

AVAILABLE TYPE: B24 B27 B30

- A: Side Panel (Left)
- B: Back Panel
- C: Side Panel (Right)
- D: Shelf (Adjustable Height)
- E: Bottom Panel
- F: Face Frame
- G: Drawer Face
- H: Door 2pcs
- I: Drawer Box (Left Panel)
- J: Drawer Box (Back Panel)
- K: Drawer Box (Right Panel)
- L: Drawer Box (Bottom Panel)
- M: Toe Kick

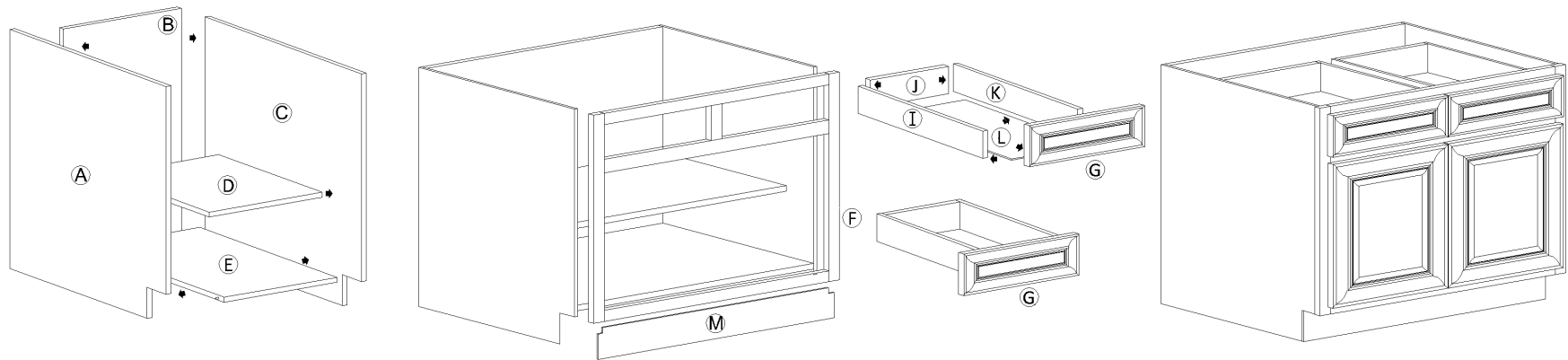
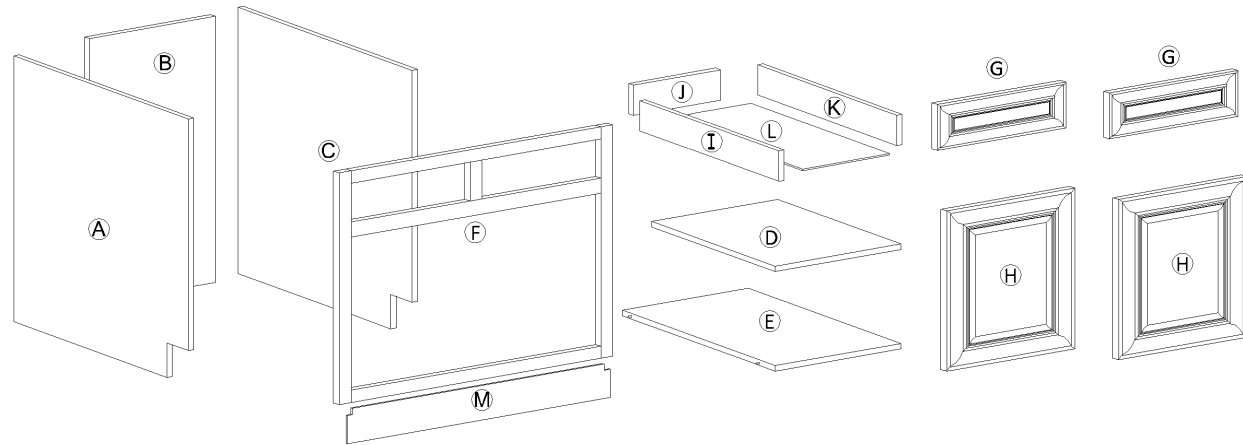


3. Framed Base Cabinets - 2 Drawers, 2 Doors

Assembling Instruction for Framed Base Cabinet-2 Drawers, 2 Doors

AVAILABLE TYPE: B33 B36 B39 B42

- A: Side Panel (Left)
- B: Back Panel
- C: Side Panel (Right)
- D: Shelf (Adjustable Height)
- E: Bottom Panel
- F: Face Frame
- G: Drawer Face 2pcs
- H: Door 2pcs
- I: Drawer Box (Left Panel) 2pcs
- J: Drawer Box (Back Panel) 2pcs
- K: Drawer Box (Right Panel) 2pcs
- L: Drawer Box (Bottom Panel) 2pcs
- M: Toe Kick

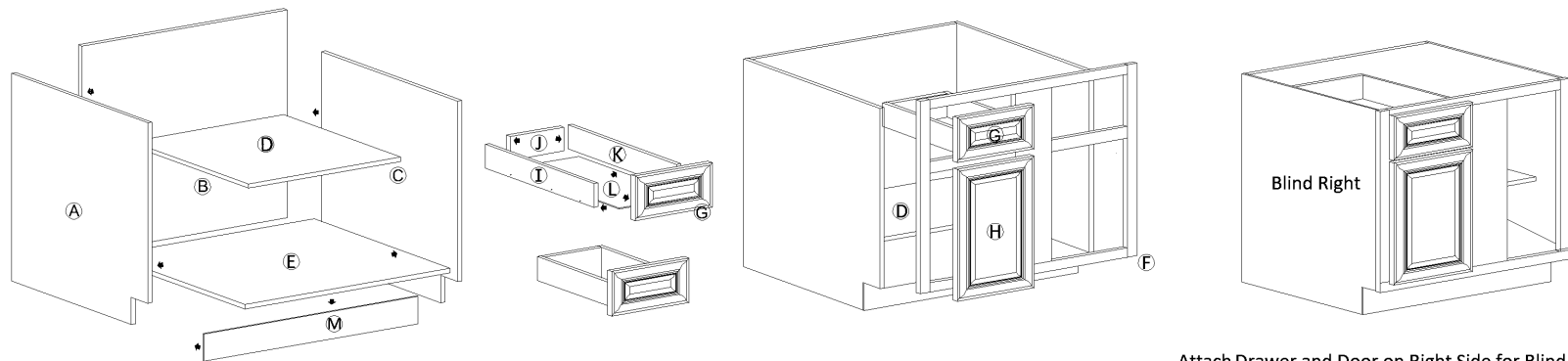
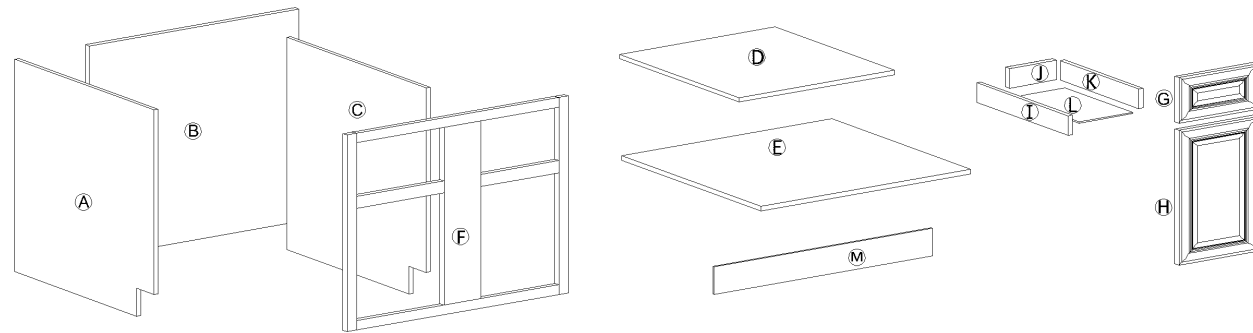


4. Framed Blind Base Cabinets

Assembling Instruction for Framed Blind Base Cabinet

AVAILABLE TYPE: BBC36
BBC39 BBC42

- A: Side Panel (Left)
- B: Back Panel
- C: Side Panel (Right)
- D: Shelf
- E: Bottom Panel
- F: Face Frame
- G: Drawer Face
- H: Door
- I: Drawer Box (Left Panel)
- J: Drawer Box (Back Panel)
- K: Drawer Box (Right Panel)
- L: Drawer Box (Bottom Panel)
- M: Toe Kick



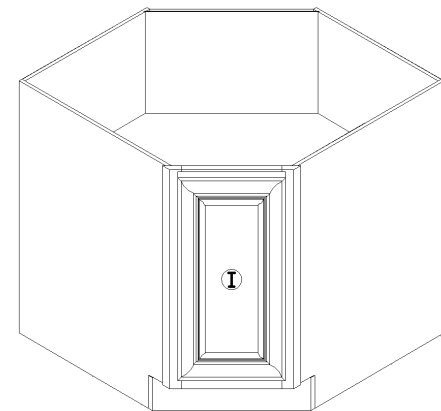
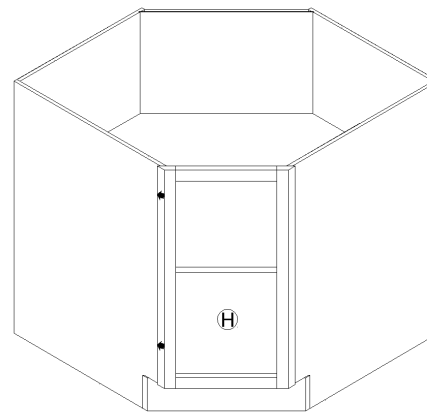
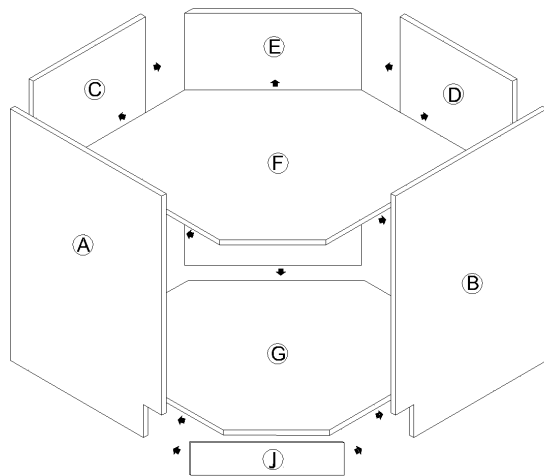
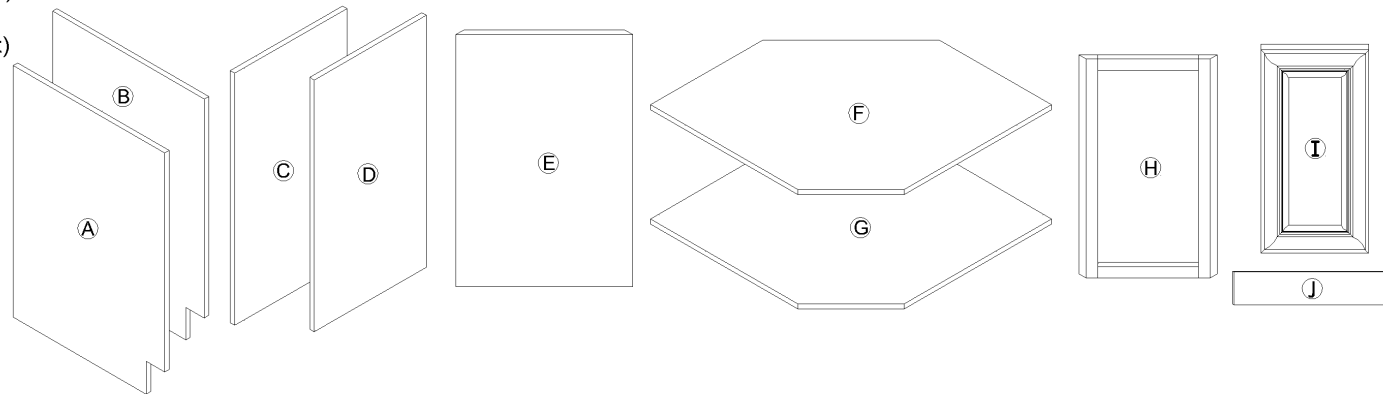
Attach Drawer and Door on Right Side for Blind Left

5. Framed Base Diagonal Cabinets - 1 Door

Assembling Instruction for Framed Base Diagonal Cabinet - 1 Door

AVAILABLE TYPE: BDC36

- A: Front Side Panel (Left)
- B: Front Side Panel (Right)
- C: Back Side Panel (Left)
- D: Back Side Panel (Right)
- E: Back Center Panel
- F: Shelf
- G: Bottom Panel
- H: Face Frame
- I: Door
- J: Toe Kick

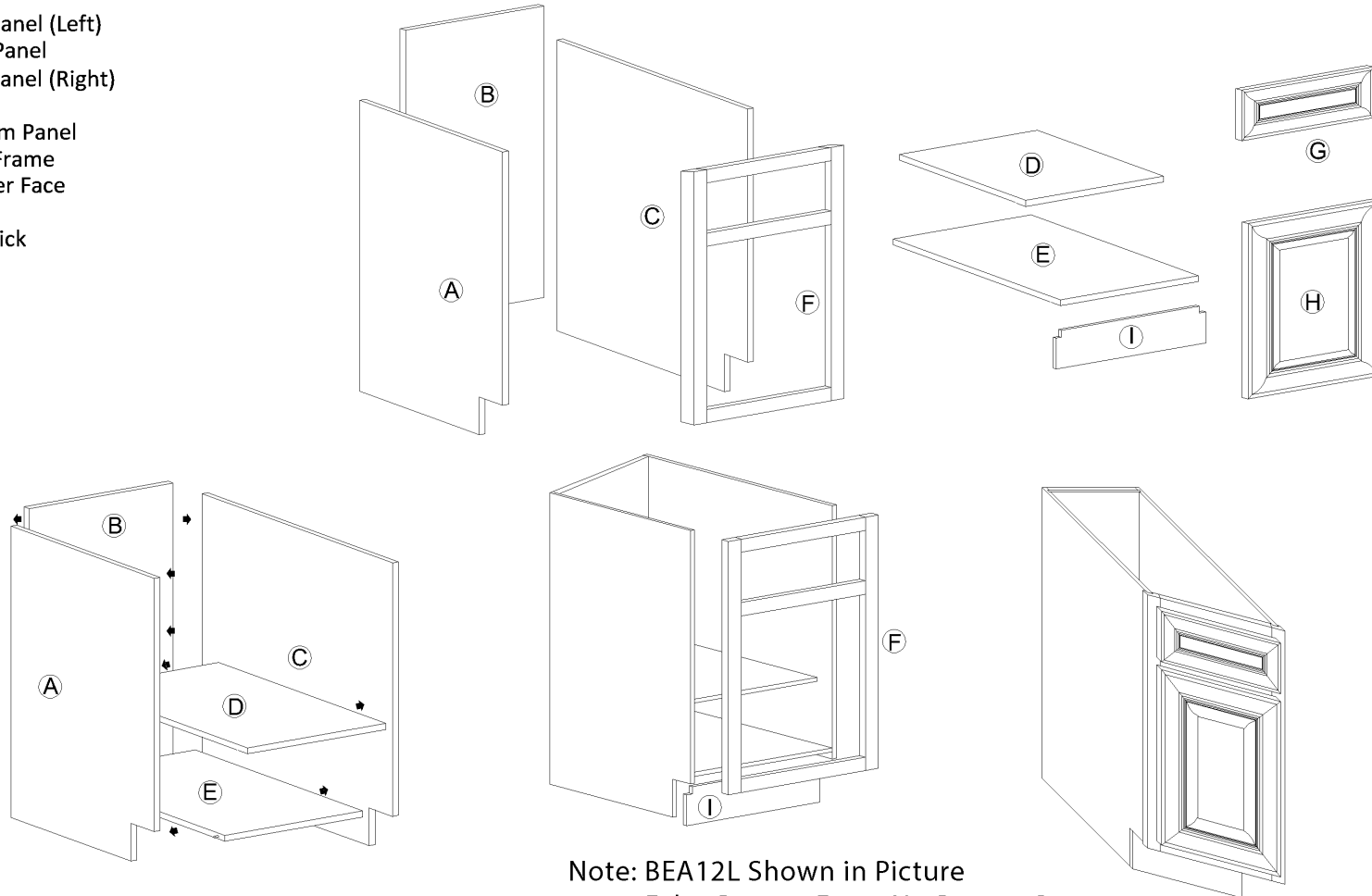


6. Framed Base End Angle Cabinets

Assembling Instruction for Framed Base End Angle Cabinet

AVAILABLE TYPE: BEA12L BEA12R

- A: Side Panel (Left)
- B: Back Panel
- C: Side Panel (Right)
- D: Shelf
- E: Bottom Panel
- F: Face Frame
- G: Drawer Face
- H: Door
- I: Toe Kick



Note: BEA12L Shown in Picture
False Drawer Front No Drawer Box

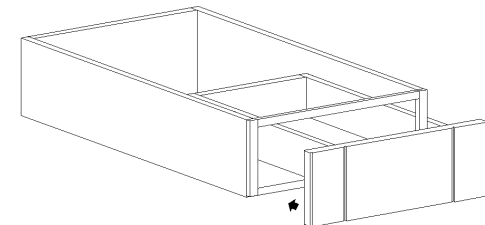
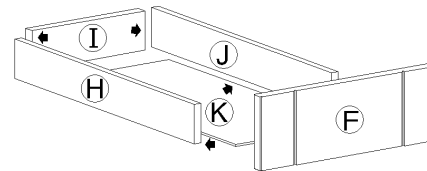
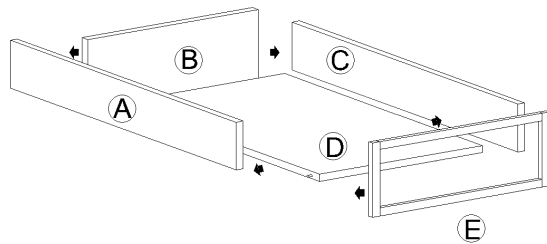
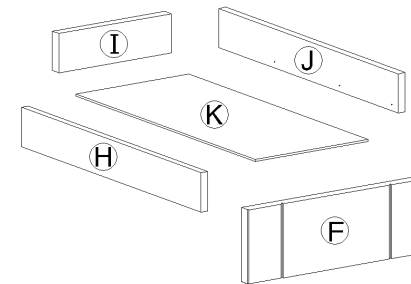
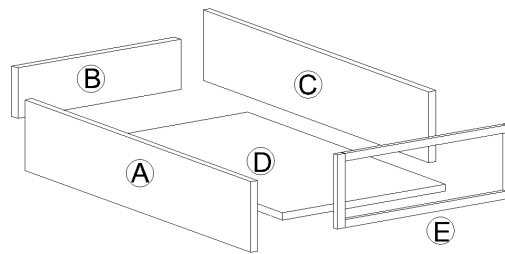
7. Framed Drawer

Assembling Instruction for Framed Drawer

AVAILABLE : BKD&DKD

TYPE : BKD24/30/36

- A: Side Panel (Left)
- B: Back Panel
- C: Side Panel (Right)
- D: Bottom Panel
- E: Face Frame
- F: Drawer Face
- H: Drawer Box Panel (Left)
- I: Drawer Box Panel (Back)
- J: Drawer Box Panel (Right)
- K: Drawer Box Panel (Bottom)

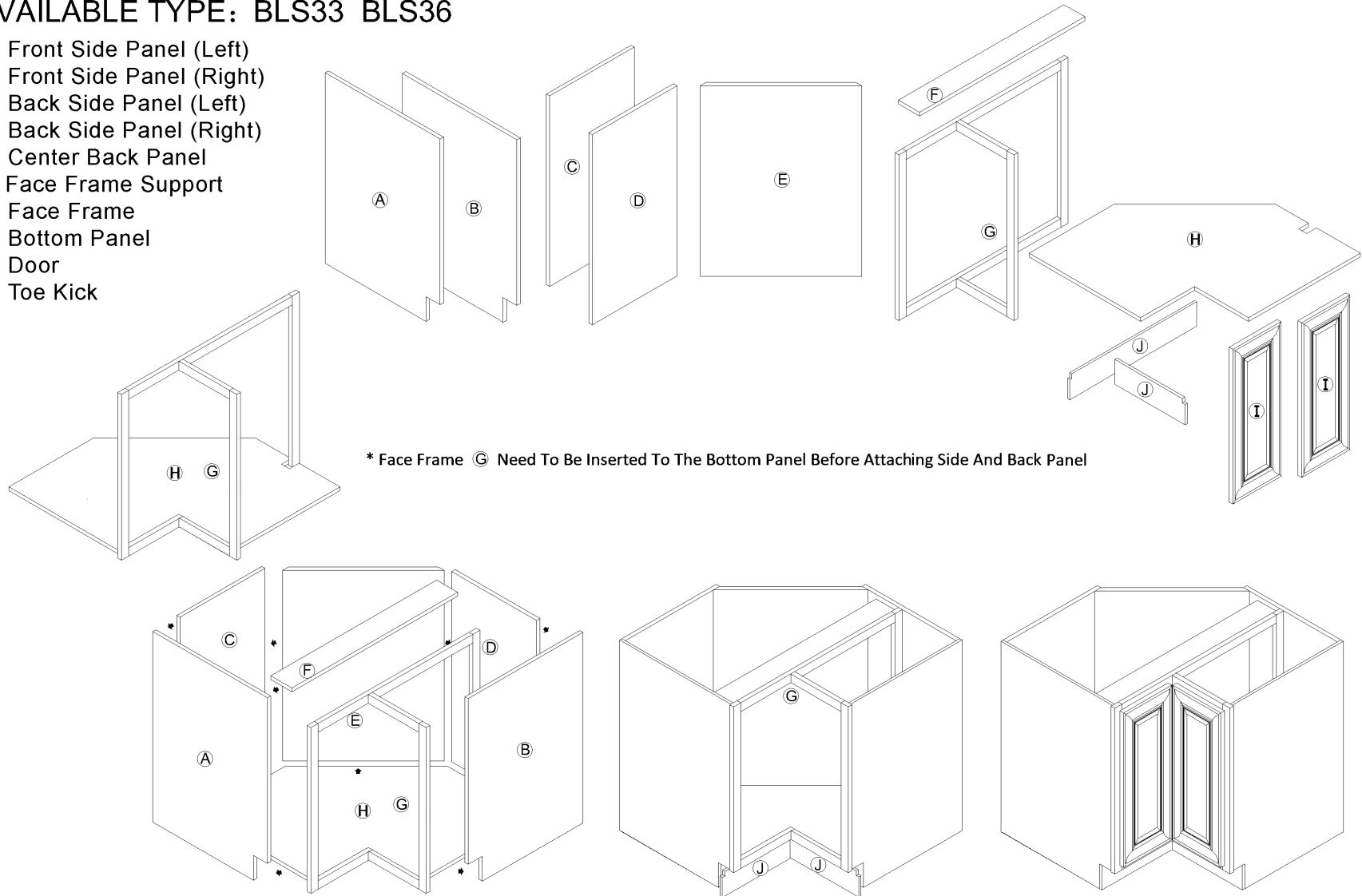


8. Framed Base Lazy Susan Cabinets

Assembling Instruction for Framed Base Lazy Susan Cabinet

AVAILABLE TYPE: BLS33 BLS36

- A: Front Side Panel (Left)
- B: Front Side Panel (Right)
- C: Back Side Panel (Left)
- D: Back Side Panel (Right)
- E: Center Back Panel
- F: Face Frame Support
- G: Face Frame
- H: Bottom Panel
- I: Door
- J: Toe Kick

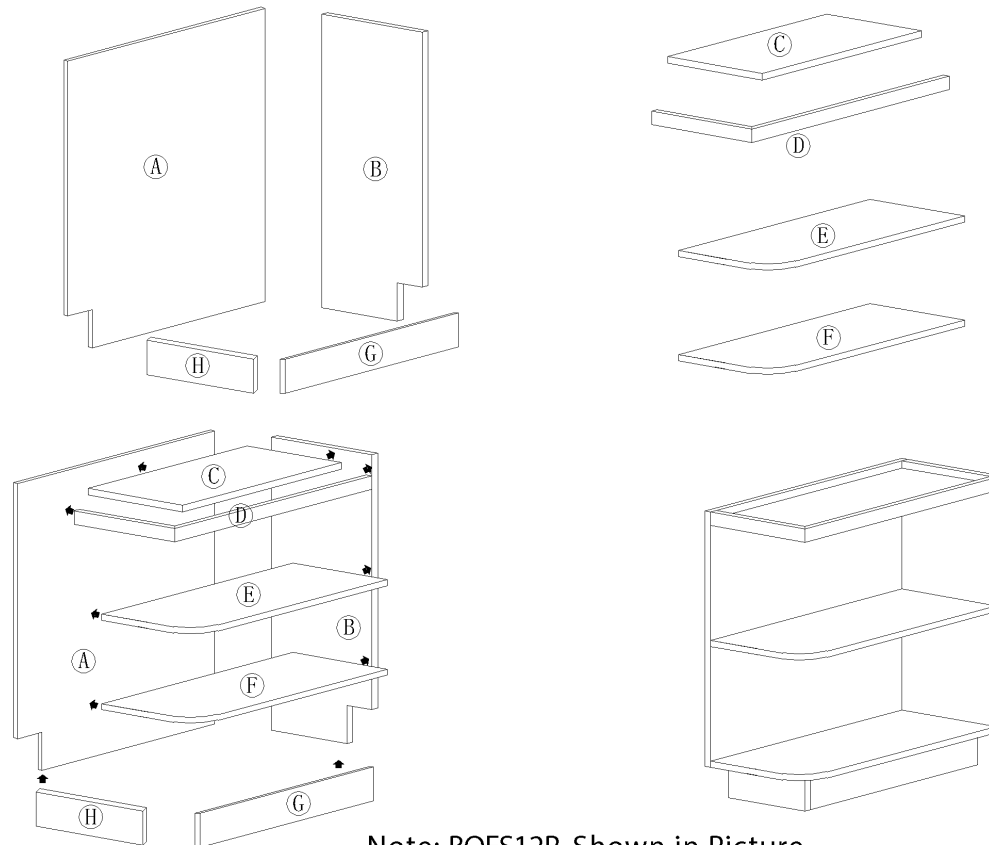


9. Framed Base Open End Shelf

Assembling Instruction for Framed Base Open End Shelf

AVAILABLE TYPE: BOES12L BOES12R

- A: Side Panel
- B: Back Panel
- C: Top Panel
- D: Face Frame
- E: Mid Panel
- F: Bottom Panel
- G: Long Toe Kick
- H: Short Toe Kick

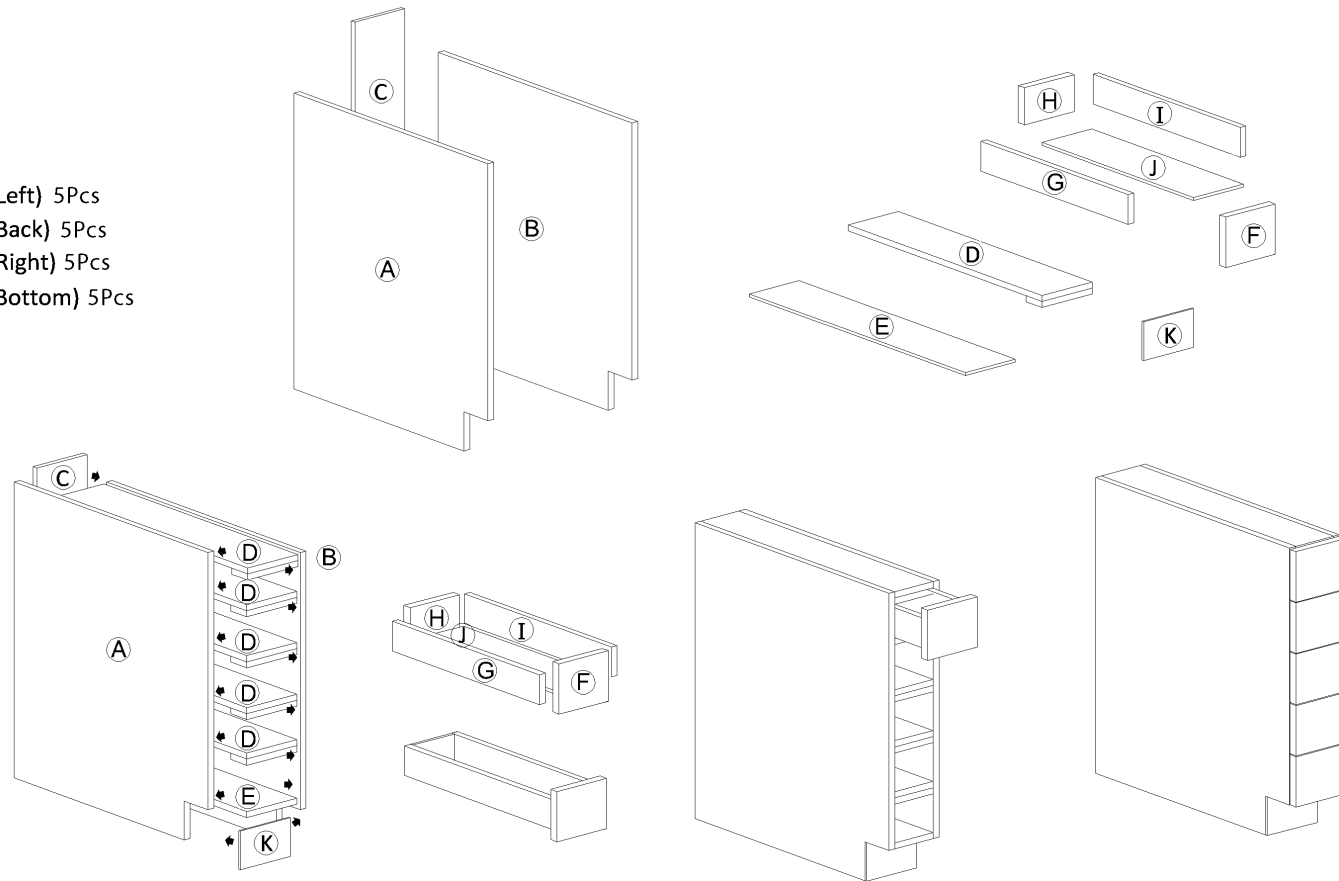


Note: BOES12R Shown in Picture

10. Framed Base Spice Drawer Cabinet

Assemble Instruction for Framed Base Spice Drawer Cabinet AVAILABLE TYPE: BSDC06

- A: Side Panel (Left)
- B: Side Panel (Right)
- C: Back Panel
- D: Divider Panel 5pcs
- E: Bottom Panel
- F: Drawer Face 5pcs
- G: Drawer Box Panel (Left) 5Pcs
- H: Drawer Box Panel (Back) 5Pcs
- I: Drawer Box Panel (Right) 5Pcs
- J: Drawer Box Panel (Bottom) 5Pcs
- K: Kick Toe



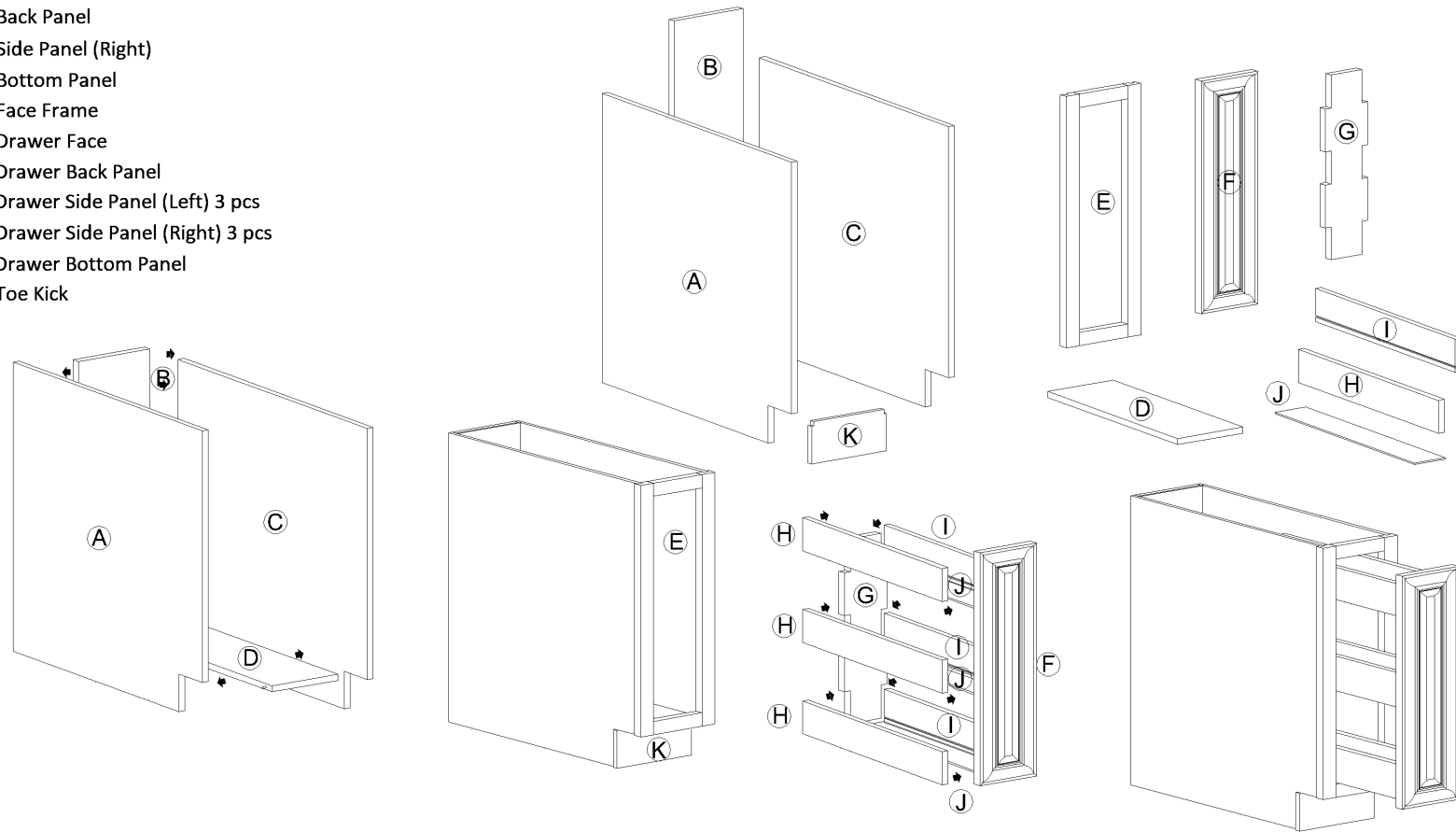
Note: This cabinet does **NOT** come with drawer slide

11. Framed Base Spice Rail

Assembling Instruction of Framed Base Spice Rail

AVAILABLE TYPE: BSR09

- A: Side Panel (Left)
- B: Back Panel
- C: Side Panel (Right)
- D: Bottom Panel
- E: Face Frame
- F: Drawer Face
- G: Drawer Back Panel
- H: Drawer Side Panel (Left) 3 pcs
- I: Drawer Side Panel (Right) 3 pcs
- J: Drawer Bottom Panel
- K: Toe Kick



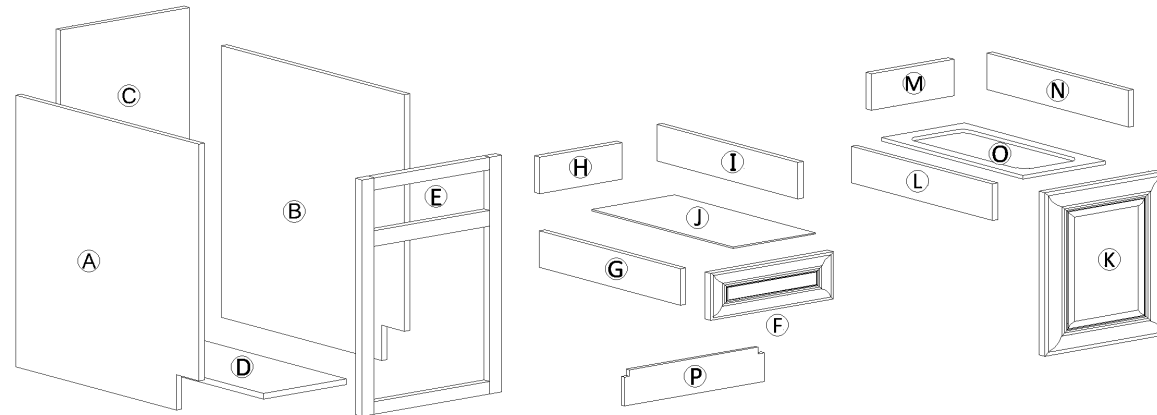
Note: This cabinet does **NOT** come with drawer slide

12. Framed Base Waste Basket

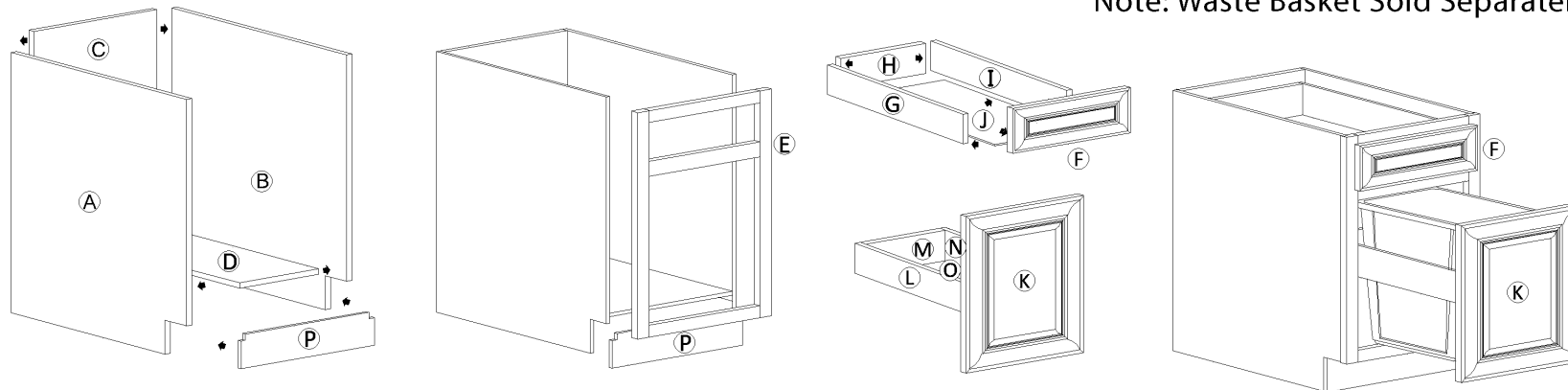
Assembling Instruction for Framed Base Waste Basket

AVAILABLE TYPE: BWBK18

- A: Side Panel (Left)
- B: Side Panel (Right)
- C: Back Panel
- D: Bottom Panel
- E: Face Frame
- F: Top Drawer Face
- G: Top Drawer Panel (Left)
- H: Top Drawer Panel (Back)
- I: Top Drawer Panel (Right)
- J: Top Drawer Panel (Bottom)
- K: Bottom Drawer Face
- L: Bottom Drawer Panel (Left)
- M: Bottom Drawer Panel (Back)
- N: Bottom Drawer Panel (Right)
- O: Bottom Drawer Panel (Bottom)
- P: Toe Kick



Note: Waste Basket Sold Separately



13. Framed Drawer Base Cabinets - 3 Drawers

Assembling Instruction for Framed Drawer Base Cabinet - 3 Drawers

AVAILABLE TYPE : DB12-3 DB15-3 DB18-3 DB21-3 DB24-3
DB27-3 DB30-3 DB33-3 DB36-3

- A: Side Panel (Left)
- B: Side Panel (Right)
- C: Back Panel
- D: Bottom Panel
- E: Face Frame
- F: Small Drawer Face
- G: Small Drawer Panel (Left)
- H: Small Drawer Panel (Back)
- I: Small Drawer Panel (Right)
- J: Small Drawer Panel (Bottom)
- K: Large Drawer Face 2 pcs
- L: Large Drawer Panel (Left) 2 pcs
- M: Large Drawer Panel (Back) 2 pcs
- N: Large Drawer Panel (Right) 2 pcs
- O: Large Drawer Panel (Bottom) 2 pcs
- P: Toe Kick

