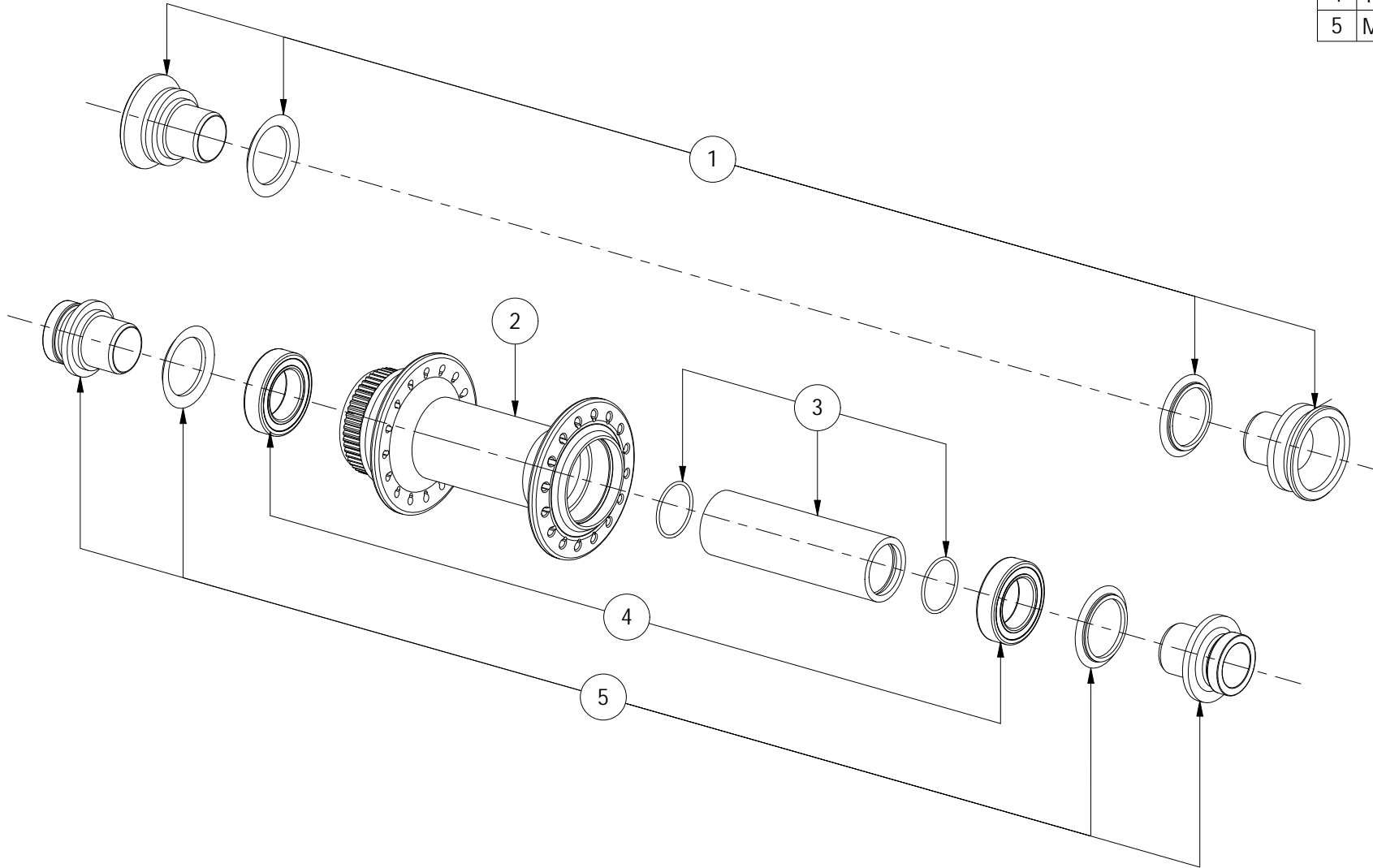


WTB Frequency

110mm Centerlock Front Hub

All spoke counts and end cap options

No	Description
1	Torque Cap End Cap Kit
2	Hub Shell
3	110mm Axle
4	17x28x7 Bearing Kit
5	M15 End Cap Kit



WTB Parts/Service Kits		
Part Number	Description	No
W035-0181	Frequency Torque Cap End Cap Kit for Centerlock 110mm hub	1
W035-0173	Frequency Axle Kit for Centerlock 110mm hub	3
W035-0120	17x28x7 Bearing Kit, 2 pcs.	4
W035-0178	Frequency 15mm End Cap Kit for Centerlock 100/110mm hub	5

