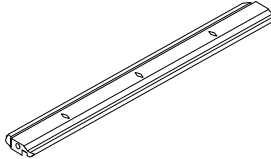
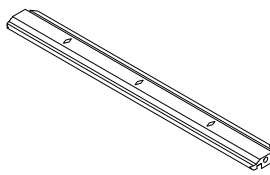
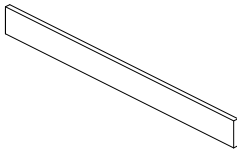
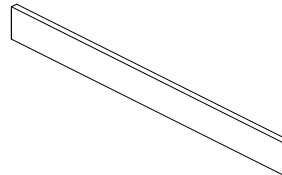
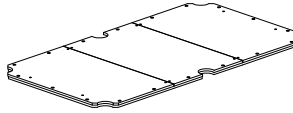

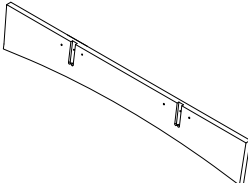
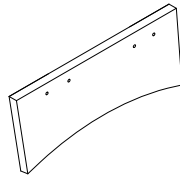
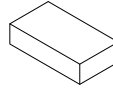
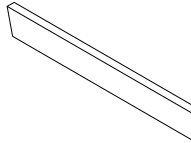

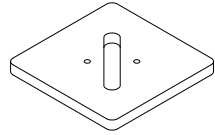


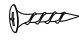



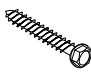
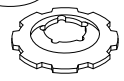

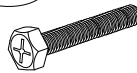
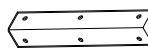

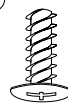
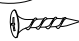
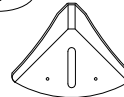

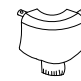



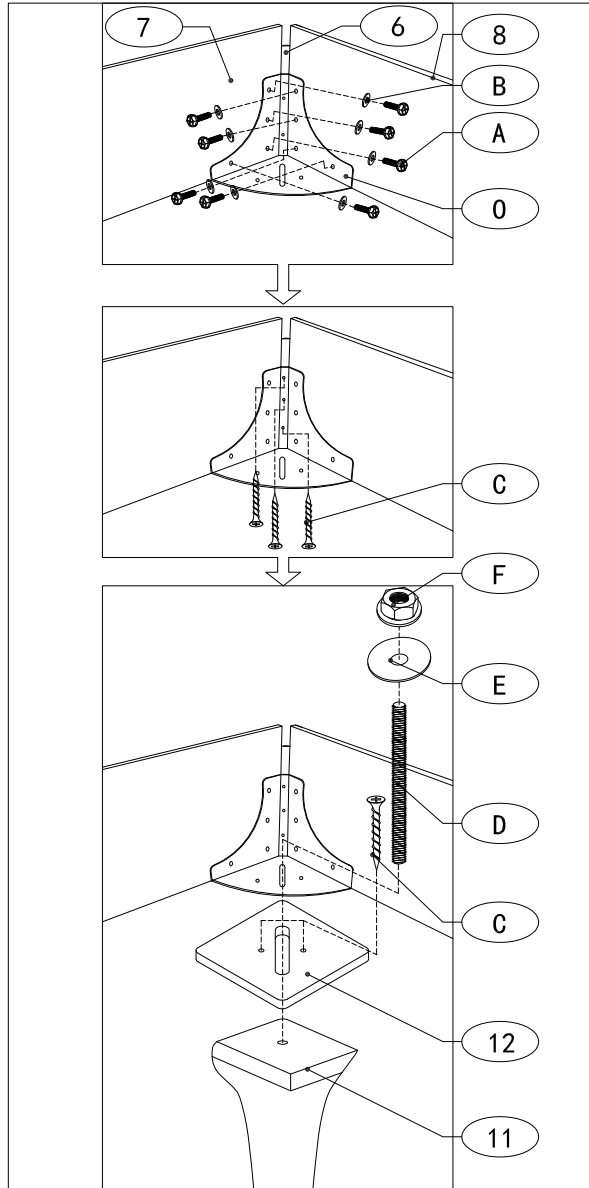
## WOOD PARTS TABLE

<p>1</p>  <p>side top rail(4pcs)</p>	<p>2</p>  <p>end top rail(2pcs)</p>	<p>3</p>  <p>side blind(4pcs)</p>	<p>4</p>  <p>end blind(2pcs)</p>	<p>5</p>  <p>slate(3pcs)</p>	<p>6</p>  <p>corner block(4pcs)</p>
<p>7</p>  <p>side panel(2pcs)</p>	<p>8</p>  <p>end panel(2pcs)</p>	<p>9</p>  <p>balance beam(8pcs)</p>	<p>10</p>  <p>beam(2pcs)</p>	<p>11</p>  <p>leg(4pcs)</p>	<p>12</p>  <p>top(4pcs)</p>

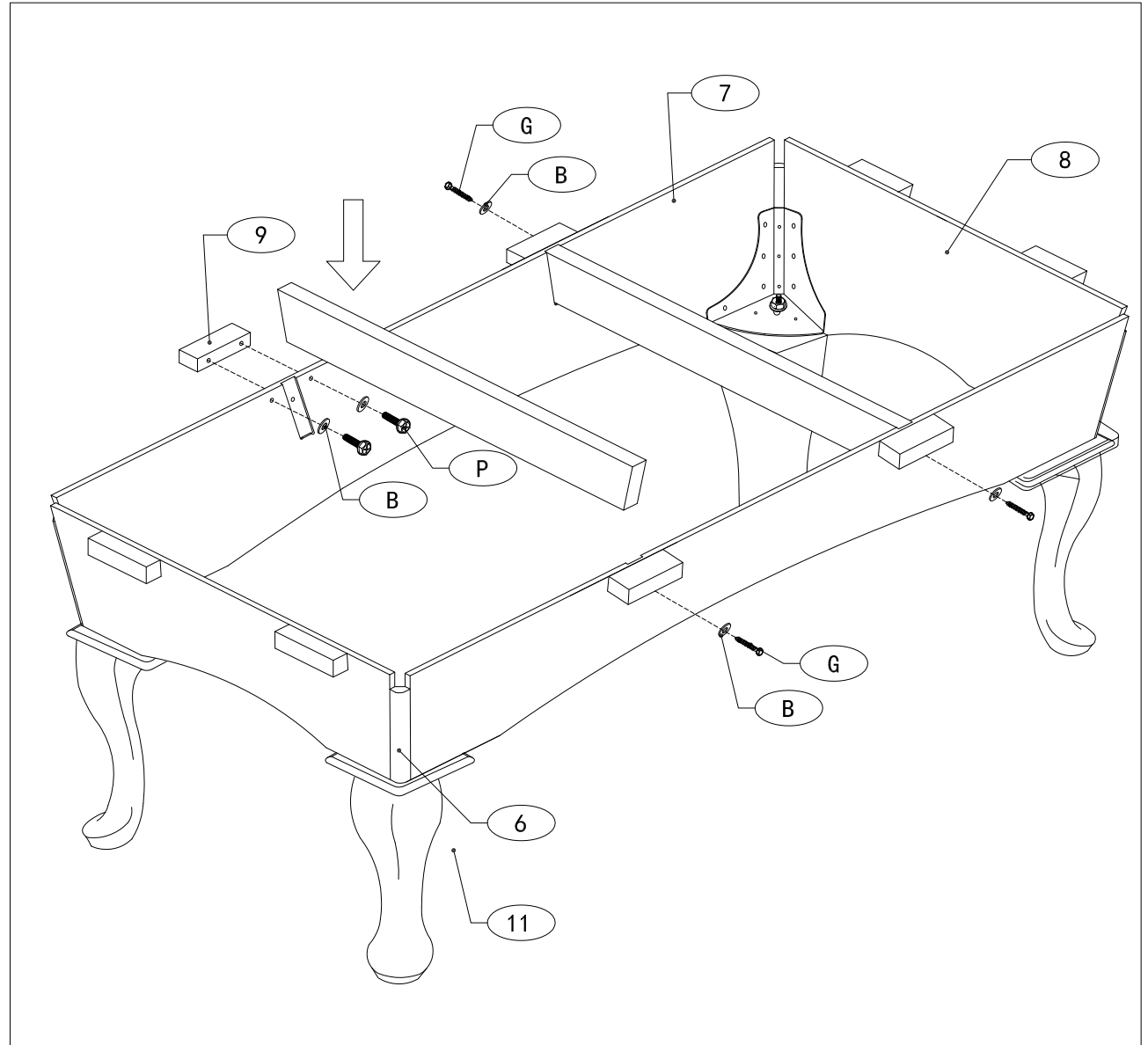
## HARDWARE PARTS TABLE

<p>A</p>  <p><math>\phi 1/4" \times 1/2"</math> bolt(32pcs)</p>	<p>B</p>  <p><math>\phi 1/4" \times \phi 5/8"</math> washer(52pcs)</p>	<p>C</p>  <p><math>\phi 5/32" \times 1"</math> screw(20pcs)</p>	<p>D</p>  <p><math>\phi 3/8" \times 3"</math> bolt(4pcs)</p>	<p>E</p>  <p><math>\phi 3/8" \times \phi 2"</math> washer(4pcs)</p>	<p>F</p>  <p><math>\phi 3/8"</math> nut(4pcs)</p>
<p>G</p>  <p><math>\phi 1/4" \times 2-1/2"</math> hex screw(16pcs)</p>	<p>H</p>  <p><math>\phi 3/8"</math> dome washer(18pcs)</p>	<p>I</p>  <p><math>\phi 3/8"</math> lock washer(18pcs)</p>	<p>J</p>  <p><math>\phi 3/8" \times 2"</math> hex bolt(18pcs)</p>	<p>K</p>  <p>5"X1"X1" iron(12pcs)</p>	<p>L</p>  <p><math>\phi 5/32" \times 1/2"</math> screw(72pcs)</p>
<p>M</p>  <p><math>\phi 5/16" \times 3/4"</math> bolt(12pcs)</p>	<p>N</p>  <p><math>\phi 13/32" \times 5/8"</math> screw(12pcs.in pocket box)</p>	<p>O</p>  <p>iron(4pcs)</p>	<p>P</p>  <p><math>\phi 1/4" \times 2"</math> flange bolt(16pcs)</p>	<p>Q</p>  <p>POCKET CORNER pocket(4pcs)</p>	<p>R</p>  <p>POCKET CENTER pocket(2pcs)</p>

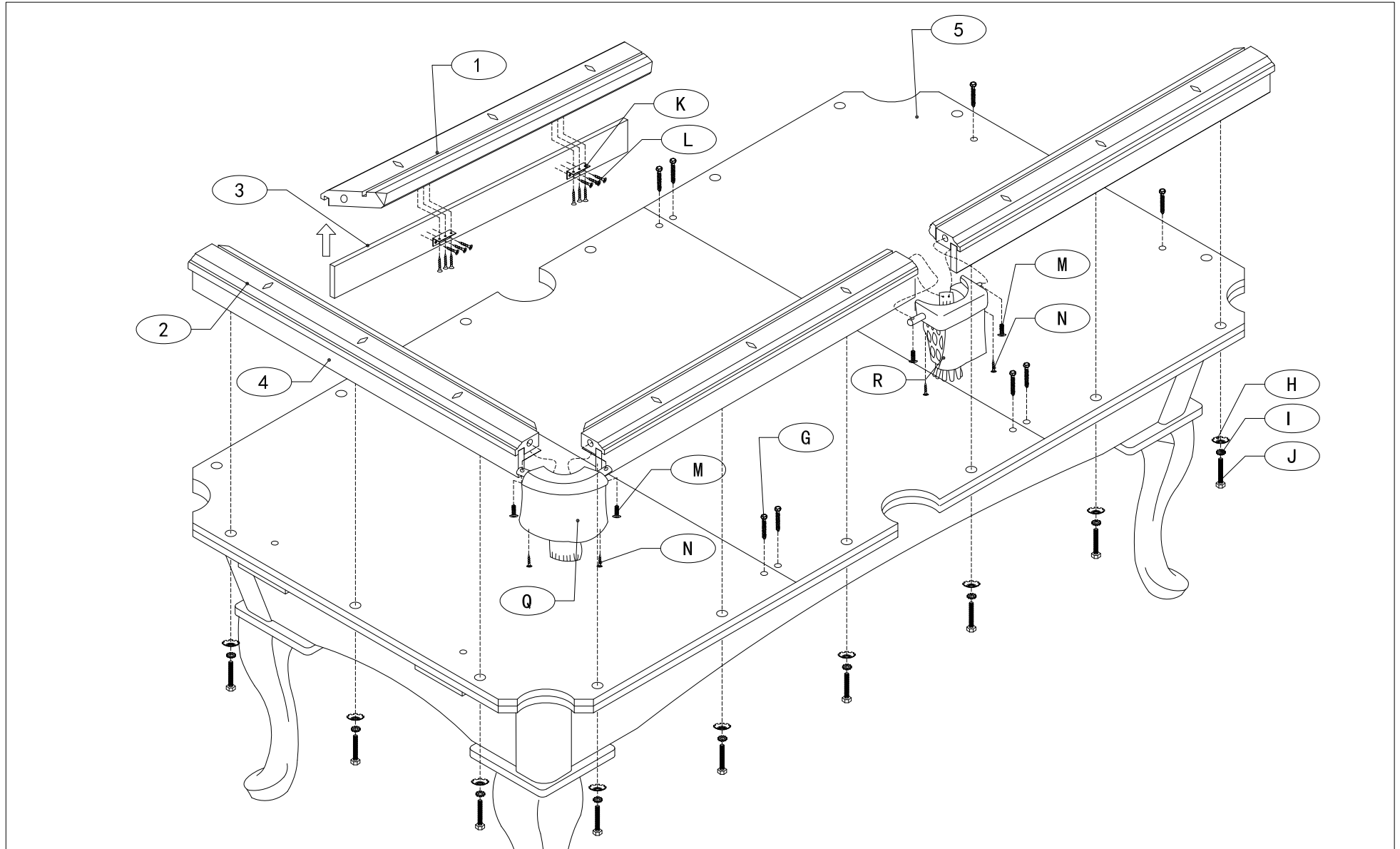
## STEP 1:



## STEP 2:



## STEP 3:



FINISH:

