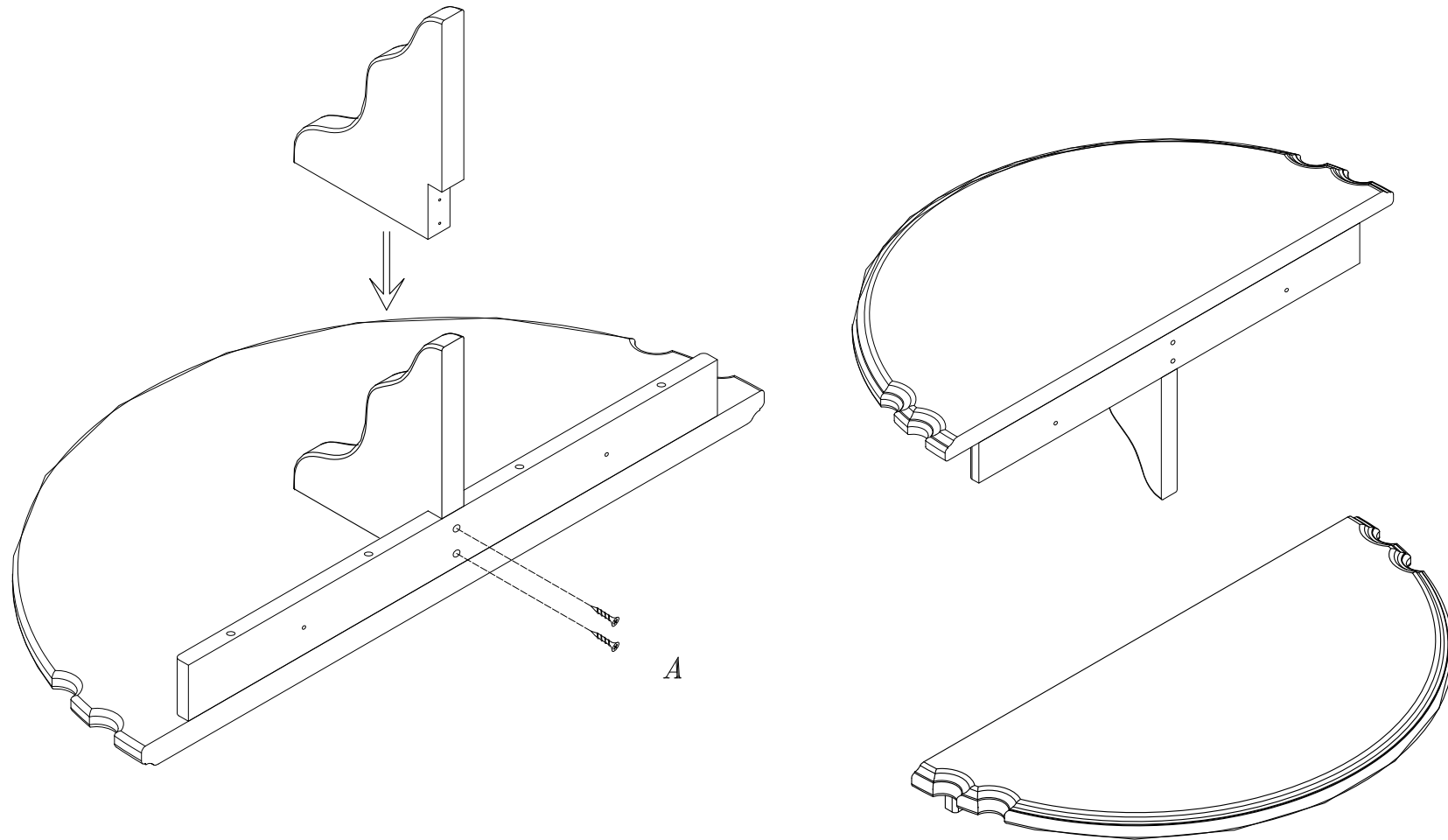
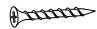


HERITAGE WALL SHELF ASSEMBLY



NO	NAME	SIZE	PCS	DRAW
<i>A</i>	<i>WOOD SCREW</i>	$\phi 3/16$ "X1-3/4"	<i>4</i>	
<i>B</i>	<i>PLASTIC INSERT</i>	<i>1" L</i>	<i>2</i>	