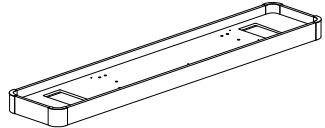
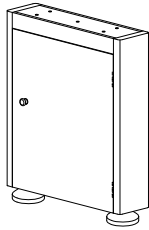
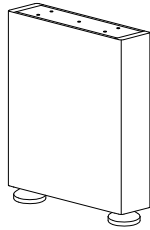
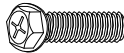

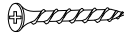
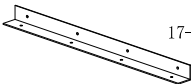
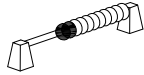
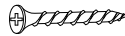


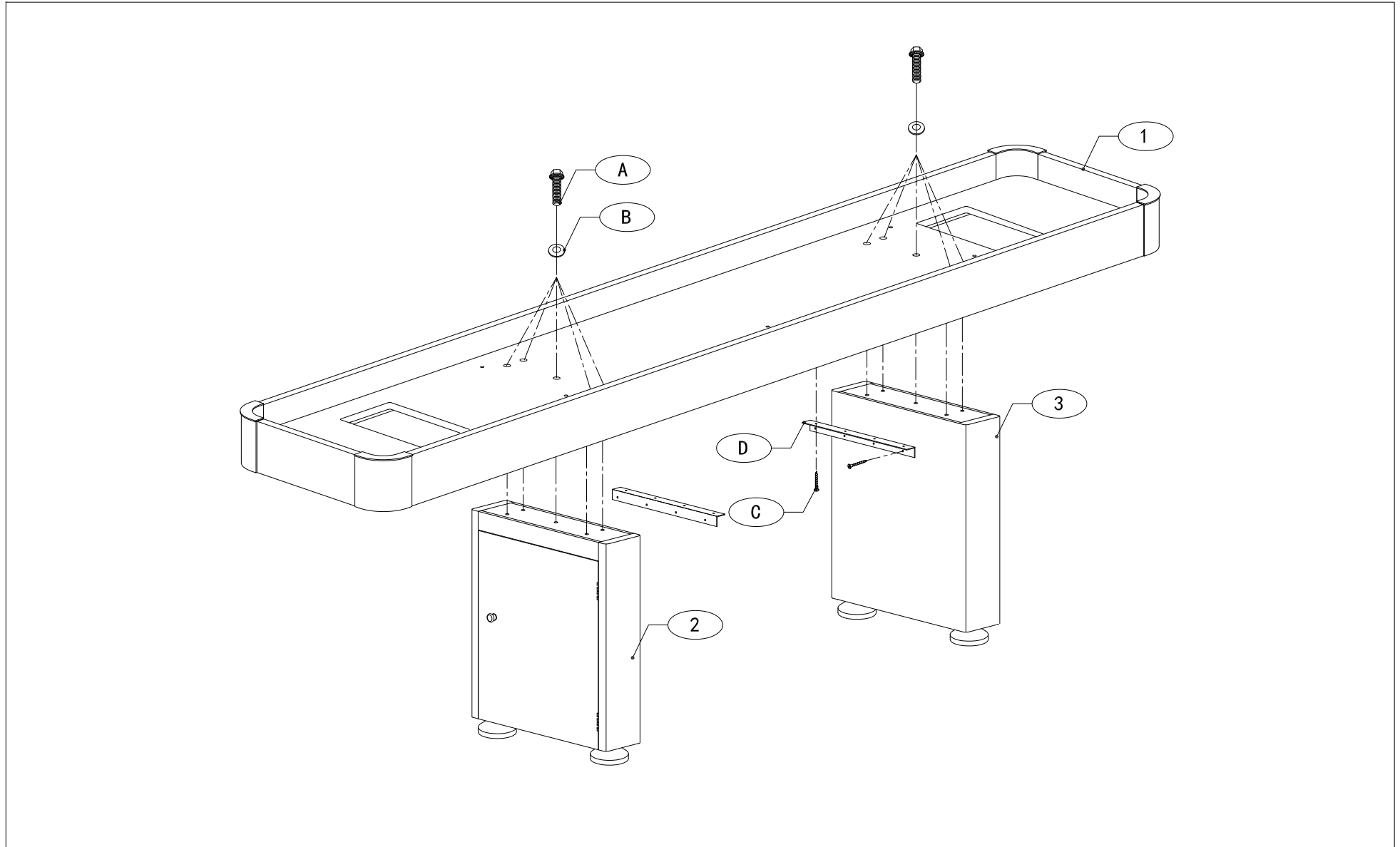
WOOD PARTS TABLE

<p>1</p>  <p>cabinet(1pc)</p>	<p>2</p>  <p>leg(1pc)</p>	<p>3</p>  <p>leg(1pc)</p>	<p>4</p>	<p>5</p>
<p>6</p>	<p>7</p>	<p>8</p>	<p>9</p>	<p>10</p>

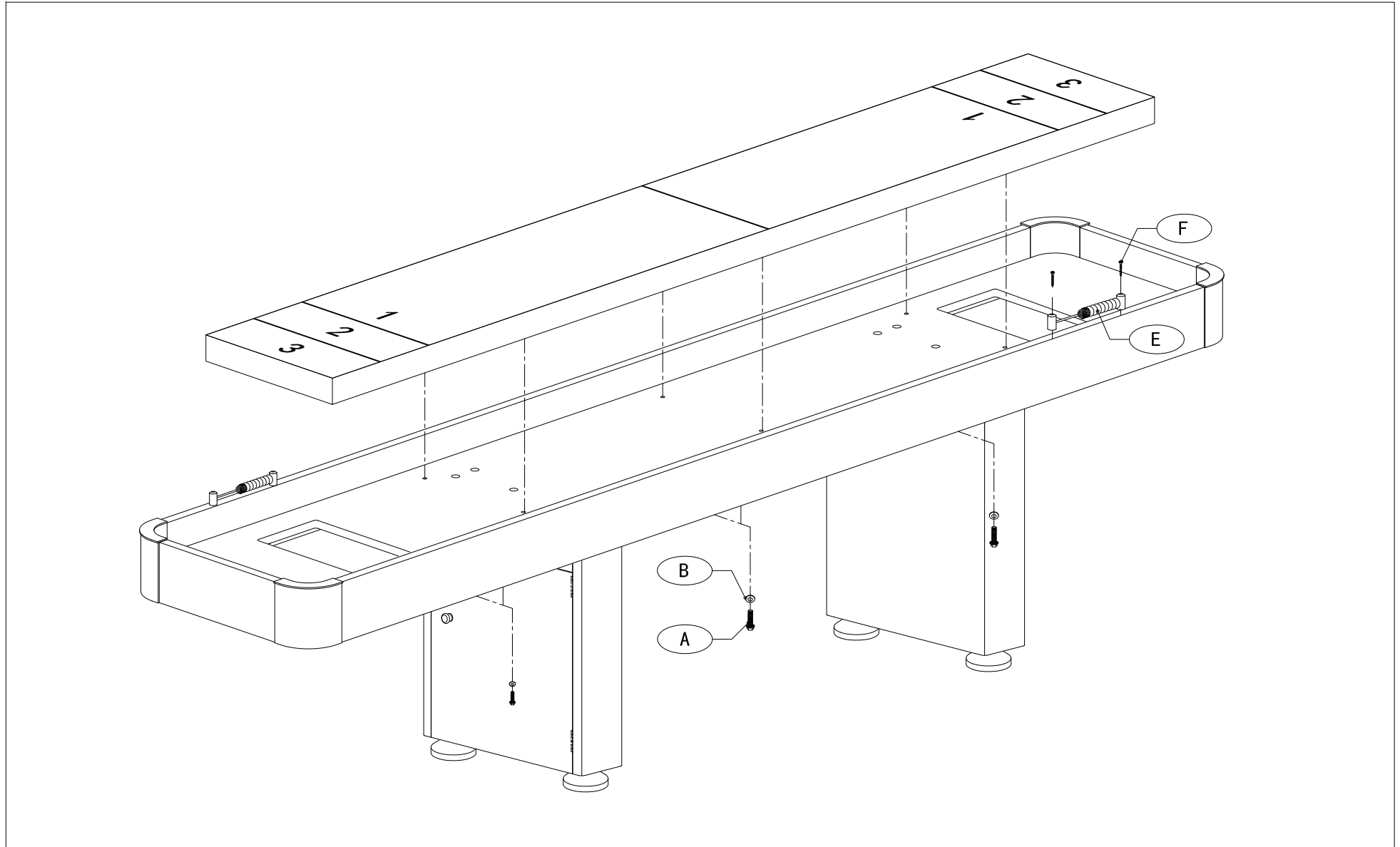
HARDWARE PARTS TABLE

<p>A</p>  <p>$\phi 5/16"$X1-3/4" flange bolt(16pcs)</p>	<p>B</p>  <p>$\phi 5/16"$X$\phi 3/4"$ washer(16pcs)</p>	<p>C</p>  <p>$\phi 5/32"$X3/4" screw(16pcs)</p>	<p>D</p>  <p>17-1/2"X1-1/4"X1-1/4" metal(2pcs)</p>	<p>E</p>  <p>score unit(2pcs)</p>
<p>F</p>  <p>$\phi 1/8"$X1" screw(4pcs)</p>	<p>G</p>	<p>H</p>	<p>I</p>	<p>J</p>
<p>K</p>	<p>L</p>	<p>M</p>	<p>N</p>	<p>O</p>

STEP 1:



STEP 2:



FINISH:

