

6 CLUTCH DISK KIT (6 Disk)

CODE : 307-1432500

APPLICATION : GROM (JC61/75) / MONKEY 125 (JB02)

REMARK : Specified tools are required to assemble / disassemble manual clutch. Please refer to the service manual.

● Thank you for purchasing Kitaco product. Read and understand the instruction before installing.

ATTENTION!

● This parts is for racing use. Riding on public road is prohibited. We are not responsible for road traffic law violation, damages and accidents caused by assembling mistake and improper setting. Please understand before installing.

ATTENTION (MUST READ)

When installation, please refer to the manufacturer service manual.

- We are not responsible for violation of law or damages and accidents caused by assembling mistake and improper setting.
- Please ask authorized mechanic for assembling and setting. Ask a specialist at specialty shop if you do not understand the role of the surrounding parts.
- Bolts and nuts may get loosen by engine vibration. Make sure not to loosen any bolts and nuts before driving.
- When assembling parts, please apply engine oil.



This instruction sheet is for the person who has basic knowledge for maintenance. Do not operate if you do not have skill and knowledge.



FLAMMABLES
Inflammable high oil is used during operation. he use of products causing fire or smoke is strictly prohibited.



Do not touch the parts(cylinder, crankcase, muffler etc...) during and after engine operation.



As for engine oil, during and after engine operation are extremely hot. Please start after the oil cools down enough. (It may be hot even when the surface is cool)

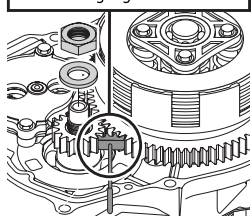
SPECIFIED TOOL	CODE
CENTER LOCK NUT WRENCH	674-1432900

Use for installing / removing clutch center lock nut.

GEAR HOLDER	674-0510900
-------------	-------------

Use for stop rotating primary drive gear and driven gear when removing clutch center lock nut.

Stop rotating gear to prevent from rotating together.

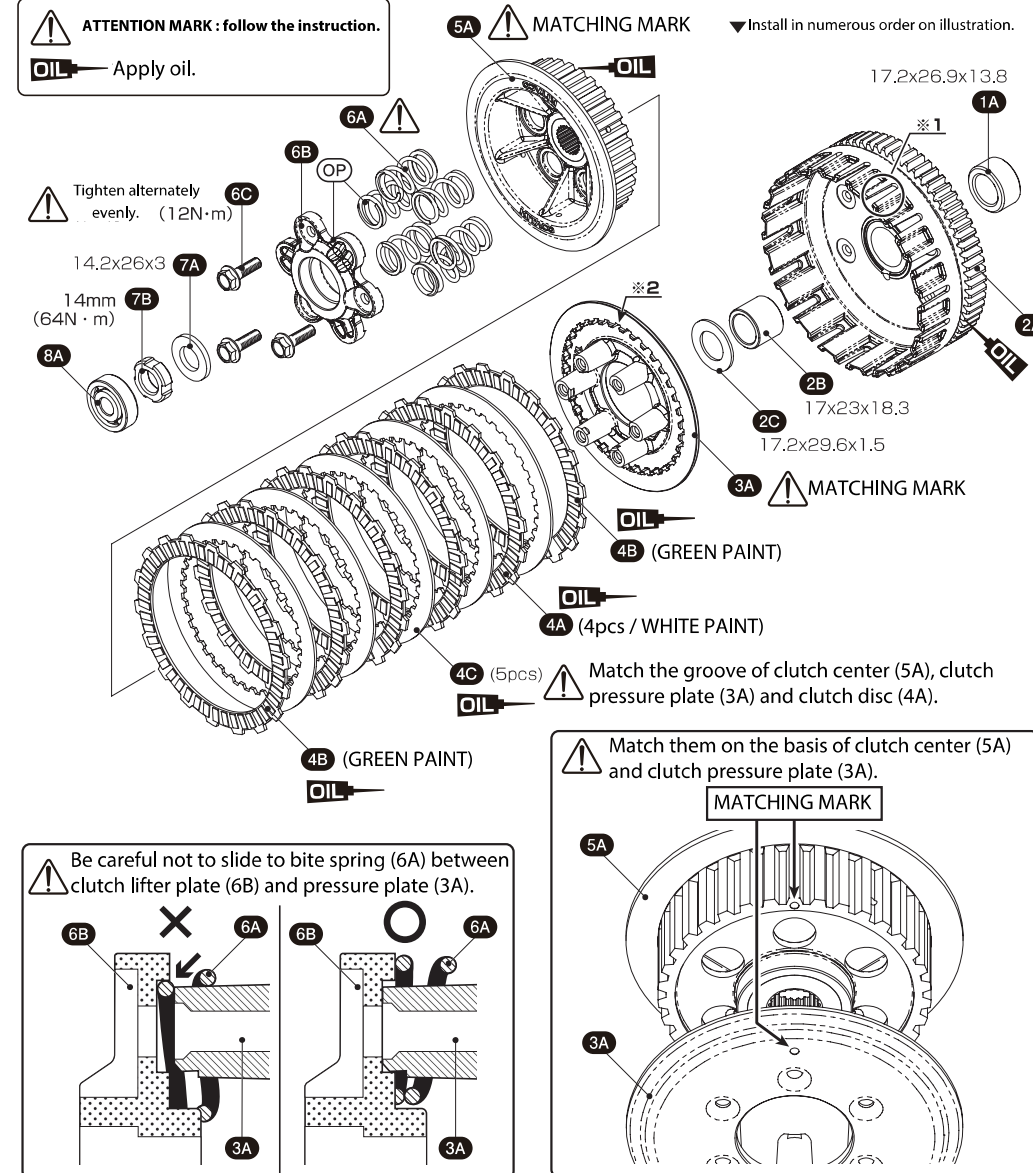


PACKING LIST				
FIGURE	NAME	CODE	QTY	REMARK
4A	FRICION DISC	307-1432001	x4	(WHITE PAINT)
4B	FRICION DISC B	307-1432002	x2	(GREEN PAINT)
4C	CLUTCH PLATE	307-1432003	x5	
3A	CLUTCH PRESSURE PLATE	-	x1	
5A	CLUTCH CENTER	-	x1	

OPTIPNAL PARTS (OP)	
NAME	CODE
REINFORCED CLUTCH LIFTER SET	307-1452600
ATTACHED PARTS : REINFORCED CLUTCH SPRING (307-1432600) · BILLET CLUTCH LIFTER (307-1452690)	

PARTS DATA ON ILLUSTRATION (SERVICE GUIDE) ▼ Install in numerical order.				
FIGURE	NAME	QTY	MAX USAGE (mm)	REMARK
1A	COLLAR 17.2x26.9x13.8	x1	-	
2A	CLUTCH OUTER	x1	-	※ 1
2B	CLUTCH OUTER GUIDE 17x23x18.3	x1	-	
2C	THRUST WASHER 17.2x29.6x1.5	x1	-	
3A	CLUTCH PRESSURE PLATE	x1	-	※ 2
4A	FRICION DISC (WHITE P)	x4	thickness : 2.3	Apply oil
4B	FRICION DISC B (GREEN P)	x2	thickness : 2.3	Apply oil
4C	CLUTCH PLATE	x5	distortion : 0.15	Apply oil
5A	CLUTCH CENTER	x1	-	※ 2
6A	CLUTCH SPRING	x6	-	
6B	CLUTCH LIFTER	x1	-	
6C	FLANGE BOLT M6x20	x3	-	TORQUE :12N·m
7A	WASHER 14.2x26x3	x1	-	
7B	LOCK NUT 14mm	x1	-	TORQUE :64N·m
8A	BEARING 6200	x1	-	

- ※1 : Make sure not to burn, crack and break by clutch disc on clutch outer each throttle place.
- ※2 : Please inspect there is not stepped wear, crack and break on groove by clutch plate regularly.
- ※If there is a hard degradation like a wear, fatigue and wear etc on the reuse parts, please change to new ones.



210906 M-T

KITACO
株式会社 キタコ

〒 577-0015
3-8-13
NAGATA, HIGASHI-
OSAKA, OSAKA, JAPAN