



shown in Textured Bronze



Kaye

Designed in 2012

The beautiful Kaye 3-speed versatile-mount, wall or ceiling fan, oscillates left to right, forward and reverse, in a 90° sweep. Its design is reminiscent of vintage train cabin ventilators of yester-year, and will cool down your favorite space with poise and determination. Kaye's profile is low, however its strength and character define it. Kaye can be mounted in any small or awkward spaces or in front of HVAC ducts to improve the efficiency of the heating, ventilation or air conditioning of your favorite space. Constructed of cast aluminum and heavy stamped steel, the Kaye carries a limited lifetime warranty.

Product Features



American Labor



AC Motor



90° Oscillation



Safety Cage Equipped



Ceiling Mount



Wall Mount



Damp Location



Soothing White Noise



Wall Control

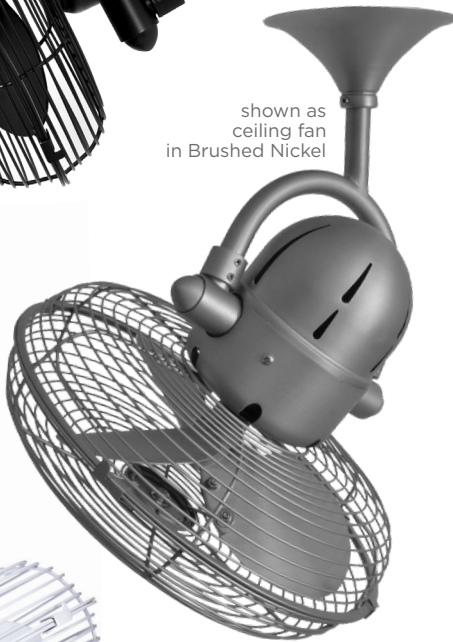


Unipack Shipping

shown in
Matte Black



shown as
ceiling fan
in Brushed Nickel



shown as ceiling
fan in Gloss White



shown in
Textured Bronze



shown in
Polished Chrome



KAYE

FINISH AND BLADE OPTIONS

SKU#	KC-XX (Model+Finish)	
NEW Finishes	Brushed Nickel	BN BK CR TB WH
	Matte Black	
	Polished Chrome	
	Textured Bronze	
	Gloss White	

TECHNICAL SPECS

Fan Weight	10.5 lbs
Voltage	110 or 220
Motor Type	AC
Oscillation	Yes
Fan Diameter	13 inches / 33 cm
Fan Height	13 inches / 33 cm
Fan Projection	17.5 inches / 44 cm
Ceiling Mount Overall Drop	17.5 inches / 44 cm
Recommended Mounting Height	Approximately 24 inches / 61 cm from ceiling
Fan Guard	Safety Cage
Blade Pitch	31°
Environment	Damp locations for all finishes Neither coastal, saltwater nor chlorine compatible
Ambience	Soothing White Noise
Safety Certification	ETL / CETL
Warranty	Limited Lifetime

NEW JAN 21, 2020 DOE MOTOR EFFICIENCY DATA

RPM (Low / High)	1213 / 1445
CFM (Low / High)	868 / 1303
Watts (High)	47.68
CFM/Watt (High)	29
Blade Pitch	31°

STANDARD EQUIPMENT

Safety cage
Side-mounted wall junction box

ACCESSORY

White Decora-
style, 3-speed
wall control

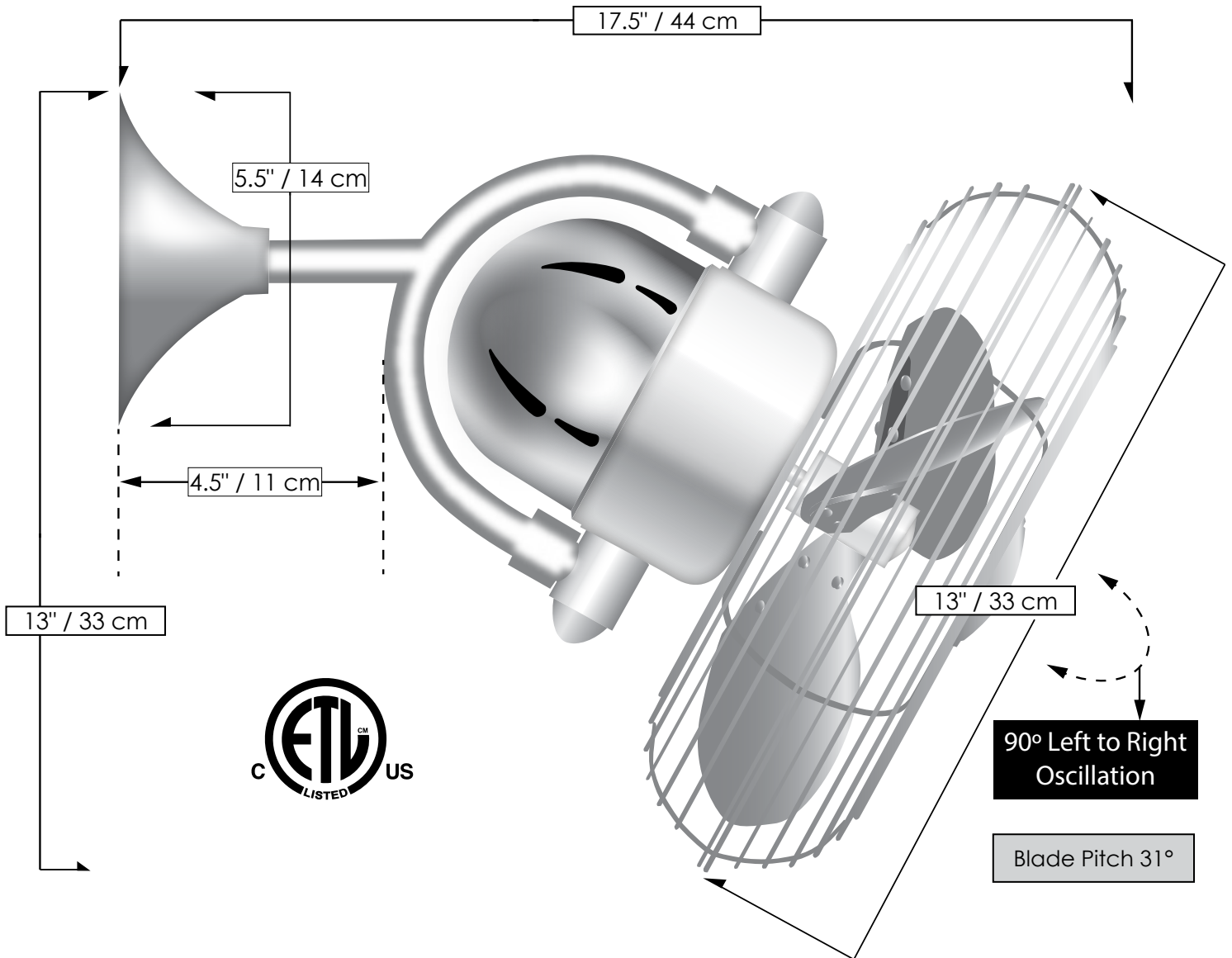


Black 3-speed
RF remote
control



Note:

- 1) A three-wire system is needed to operate the oscillation mechanism independent of the fan blades.
- 2) The remote control receiver will not fit behind the wall canopy. A clever electrician will need to hide the receiver in wall or ceiling according to code.



Matthews Fan Company

1881 Industrial Drive
Libertyville, IL 60048
Tele: 847.680.9043
Fax: 847.680.8140
www.matthewsfanco.com

© 2021 Matthews Fan Company. All rights reserved.

