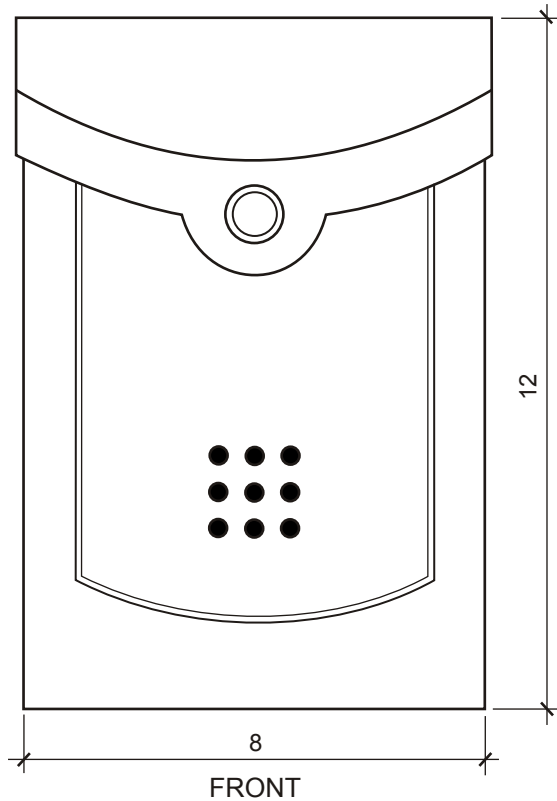
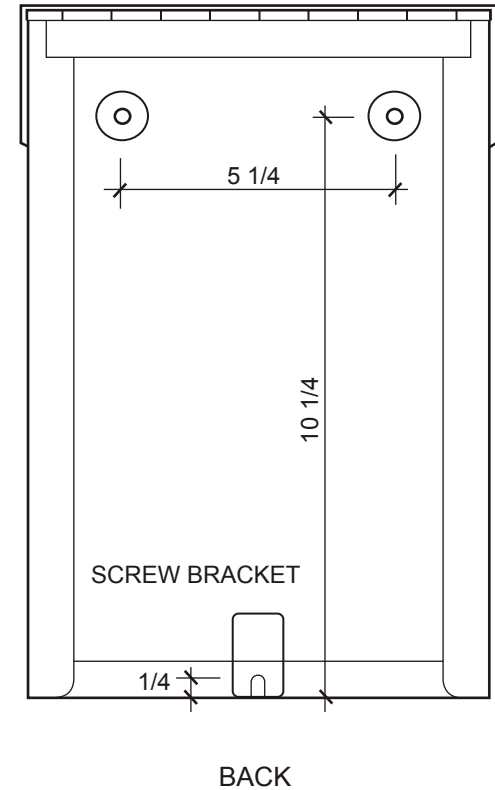
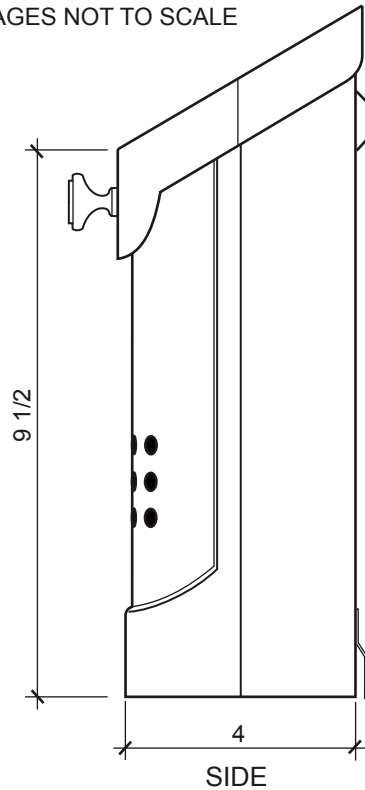


MODEL	MATERIAL	OVERALL SIZE	INSTALLATION	FINISHES	HARDWARE
<b>E5</b>	18 Gauge Brass	8" W 12" H 4" D	Wall mounted	Satin nickel, satin brass, copper, antique copper, bronze and black pewter.	Screws and anchors included.



IMAGES NOT TO SCALE



### Maintenance

The E5 mailbox is made of brass and plated in various metal colors finished with a clear lacquer coat.

Brass is a copper alloy and does not rust, it will develop a slight darker tone due to oxidation and exposure to the elements over time.

Clean using mild soap and water. In regions with high levels of salt content in the air, apply a coat of car wax after cleaning a couple of times a year.

### Installation Instructions

- 1 Remove knob from back panel and install on lid. Knob is located in one of the screw holes inside the mailbox. Place plastic washer on the outside of the lid.
- 2 Determine the location and height of where the mailbox is to be installed. Mark and install the LOWER SCREW FIRST, do not tighten all the way. Use plastic anchors when necessary.
- 3 Provide TEMPORARY PROTECTION in the area where the opened lid can touch the wall during installation to prevent scratching. Mount the mailbox onto the lower screw and mark location of upper holes. Install upper screws and tighten all three screws.