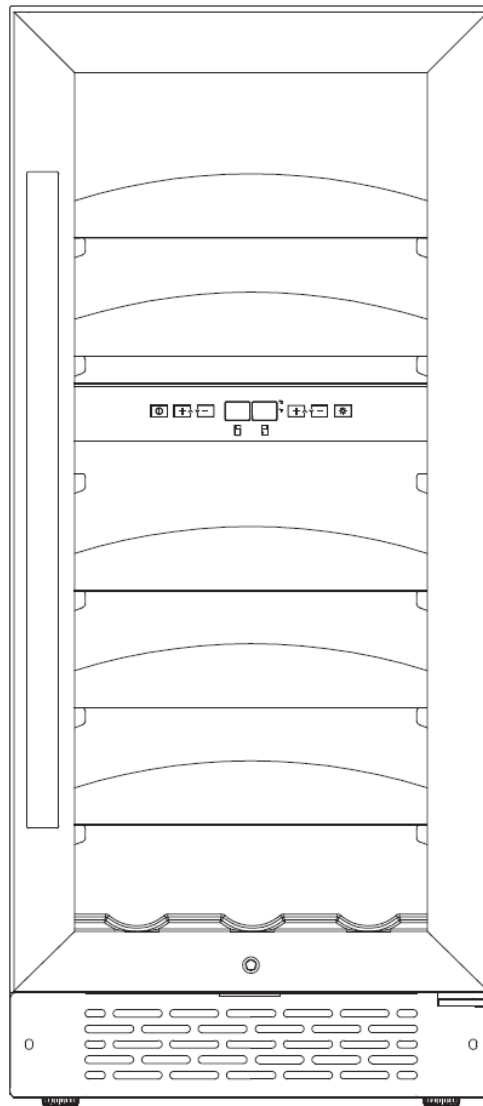


## Whynter 28 Bottle Dual Temperature Zone Built-In Wine Refrigerator

Model # : BWR-281DZ

### INSTRUCTION MANUAL



Congratulations on your new Whynter product. To ensure proper operation, please read this Instruction Manual carefully before using this product. Keep this manual in a safe place for future reference.

## Table of Contents

---

	<u>PAGE</u>
Safety Precautions	<b>3 - 4</b>
Parts	<b>5</b>
Product Features	<b>6</b>
Installation	<b>7 - 9</b>
Operation and Controls	<b>10 - 12</b>
Storage	<b>13</b>
Care and Maintenance	<b>14</b>
Troubleshooting	<b>15 - 16</b>
Warranty Information	<b>17</b>

---

### APPLIANCE SAFETY

Your safety and the safety of others are very important to us.

To reduce the risk of fire, electrical shock, or injury when using your appliance, follow these basic precautions



This is the Safety Alert Symbol. This symbol alerts you to potential hazards that may result in serious injury. All safety messages will follow the Safety Alert Symbol and either the words "DANGER" or "WARNING".



Danger means that failure to heed this safety statement may result in severe injury or death.



Warning means that failure to heed this safety statement may result in extensive product damage, serious injury, or death.



Caution means that failure to heed this safety statement may result in minor or moderate injury, or property or equipment damage.

All safety messages will alert you to know what the potential hazard is, tell you how to reduce the chance of injury, and let you know what can happen if the instructions are not followed.

### IMPORTANT SAFEGUIDES



Before the appliance is used, it must be properly positioned and installed as described in this manual, please read the manual carefully. To reduce the risk of fire, electrical shock or injury when using the appliance, follow basic precaution, including the following:



- Plug into a grounded 3-prong outlet, do not remove grounding prong, do not use an adapter, and do not use an extension cord.
- Do not use if the power supply cord is damaged. If damaged, it must be replaced by a qualified electrician.
- It is recommended that a separate circuit, serving only your appliance be provided. Use receptacles that cannot be turned off by a switch or pull chain.
- Never clean appliance parts with flammable fluids or harsh chemicals. These fumes can create a fire hazard or explosion.

## Safety Precautions

- Do not store or use gasoline or other flammable vapors and liquids in the vicinity of the appliance or any other appliance.
- Before proceeding with cleaning and maintenance operations, make sure to unplug the appliance.
- Do not connect or disconnect the electric plug with wet hands.
- Do not attempt to repair or replace any part of your appliance unless it is specifically recommended in this manual. All other servicing should be referred to a qualified technician.
- This appliance is CFC- and HFC-free and contains small quantities of Isobutane (R600a) which is environmentally friendly, but flammable. It does not damage the ozone layer, nor does it increase the greenhouse effect. Care must be taken during transportation and setting up of the appliance that no parts of the cooling system are damaged. Leaking coolant can ignite and may damage the eyes.

In the event of leakage:

- Avoid open flames and anything which creates a spark
- Disconnect from the mains
- Air the room in which the appliance is located for several minutes and contact the Service Department for advice

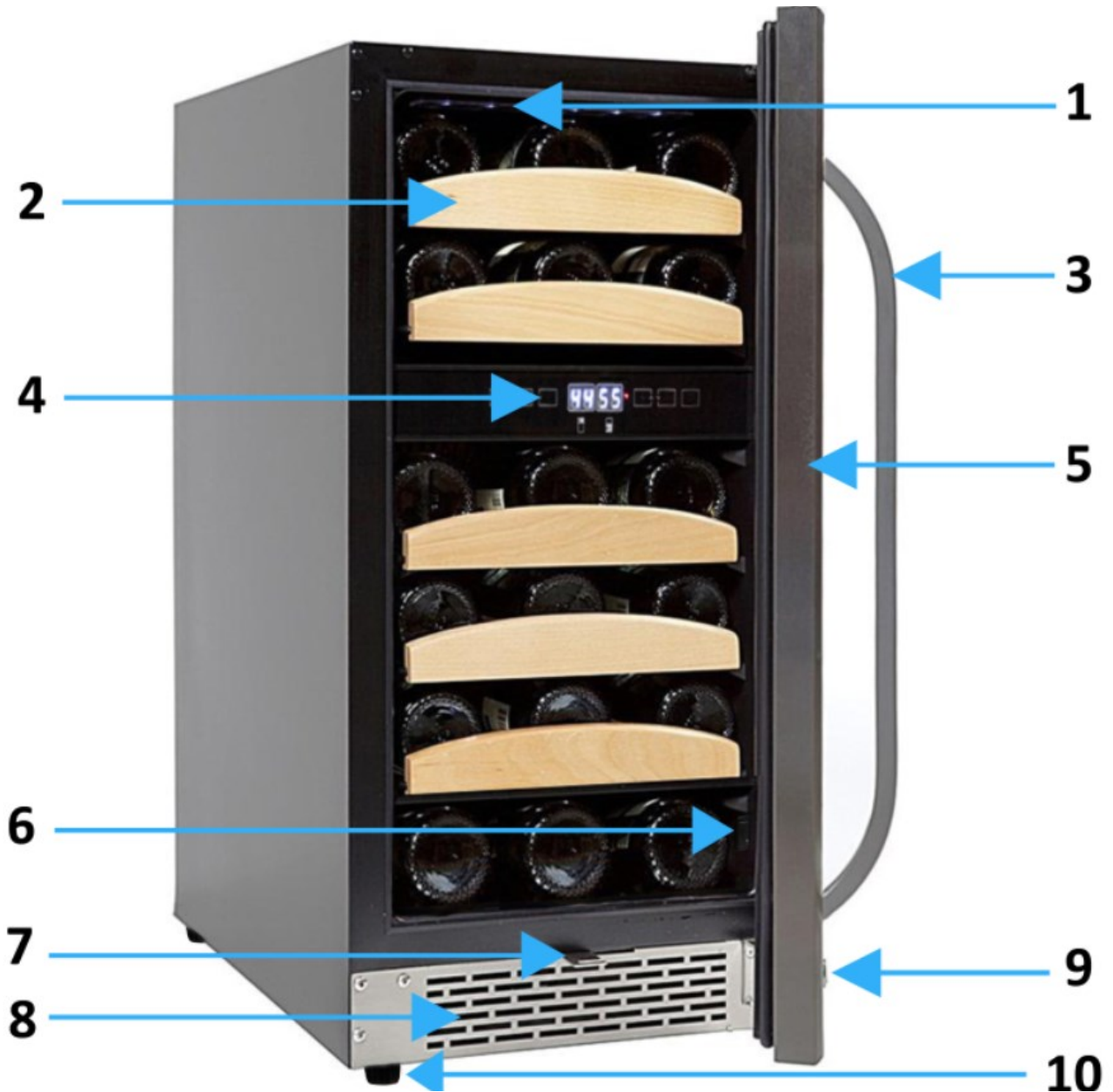


FOLLOW WARNING CALL OUTS BELOW ONLY WHEN APPLICABLE TO YOUR MODEL

- Use two or more people to move and install the appliance. Failure to do so can result in injury.
- To ensure proper ventilation for your appliance, the front of the appliance must be completely unobstructed. Choose a well-ventilated area with temperatures above 60°F (16°C) and below 90°F (32°C). This appliance must be installed in an area protected from the element, such as wind, rain, water spray or drips.
- The appliance should not be located next to ovens, grills or other sources of high heat.
- The appliance must be installed with all electrical connections in accordance with state and local codes.
- The fuse (or circuit breaker) size should be 15 amperes.
- It is important for the appliance to be leveled in order to work properly. For a stable installation, make sure the appliance is placed on a flat, level and solid surface.
- Ensure that the surface on which the appliance is placed is strong enough to hold the appliance and the items stored inside.
- This appliance is not intended for use by young children or physically-challenged persons without supervision/assistance. Young children must be supervised to ensure safety around this or any appliance.
- Do not use solvent-based cleaning agents or abrasives on the interior. These cleaners may damage or discolor the interior.
- Keep fingers out of the “pinch point” areas. Clearance between the doors and between the doors and cabinet are necessarily small. Be careful closing doors when children are in the area.
- This wine refrigerator is designed to store wine bottles. If food is stored inside, ensure that there is sufficient airflow between items. Please note that the temperature range for this wine refrigerator is optimized for wine and beverage storage. Perishable food items may require a different storage environment.
- Do not place hot food or beverages into the appliance.
- Close the wine refrigerator door immediately after putting in any items to keep the internal temperature relatively constant.
- Avoid placing any objects on top of the appliance.
- This is an electrical appliance, to avoid injury from electrical shock do not operate the unit with wet hands, while standing on a wet surface or while standing in water. Do not use outdoors or in wet conditions.
- When positioning or moving the appliance, ensure that it is not turned up side down or unlevelled greater than 45°
- Never pull the power cord to disconnect it from the outlet. Grasp the plug and pull it from the outlet.
- Never lift, carry or drag the appliance by the power cord.
- This appliance is designed for household, non-commercial use only. Any other use will void the warranty.
- Do not plug into the power outlet before set up is completed.
- Do not move this appliance without emptying it and securing the door in a closed position.

## Parts

BWR-281DZ



1. Light	6. Door Sensor
2. Shelves (5)	7. Door Lock Latch
3. Door Handle	8. Bottom Grille
4. Control Panel	9. Cylinder Lock
5. Door	10. Leveling Legs (4)

## Product Features

The Whynter built-in/undercounter dual temperature zone wine refrigerator offers premium quality and innovative design ideal for your wine collecting needs. Whether for the enthusiast or the connoisseur, the Whynter built-in/undercounter dual temperature zone wine refrigerator provides premium and advanced wine storage functionality.

This wine storage system (BWR-281DZ) can hold up to 28 standard 750ml wine bottles; 10 bottles in the top zone and 18 bottles in the bottom zone. The powerful compressor cooling process offers optimum temperatures (low 40°F to mid 60°F) for red, white, and sparkling wines. The front ventilation design of this unit allows for flush with cabinet undercounter installation or simply freestanding usage.

The premium appeal of the BWR-281DZ features a substantial stainless steel trimmed door accented with a luxurious curved handlebar. The five removable sliding shelves in the unit allows for customizable storage for different types of bottles.

- Capacity: 28 standard 750ml wine bottles  
Upper Zone Capacity: 10 bottles  
Lower Zone Capacity: 18 bottles
- Dual zones for storing different wine varieties
- Built-In Installation / Freestanding
- Stainless steel trimmed glass door with sleek black cabinet
- Luxurious curved handlebar
- Open-door and malfunction warning system
- Temperature memory function
- Sabbath mode function
- Tempered double-pane gray-smoked glass for enhanced UV protection
- Soft white LED Interior Light with Function mode and Showcase mode
- Powerful fan-circulated compressor cooling ensures precise temperature distribution
- Reversible door swing
- Security Lock and key
- Fahrenheit and Celsius degree optional temperature indicators
- Five removable slide out wood-faced shelves  
Shelf One through Five: 5 bottles capacity  
Bottom section: 3 bottles capacity

### TECHNICAL DATA

<b>MODEL :</b>	<b>BWR-281DZ</b>
Capacity	28 standard wine bottles
Voltage	115V/60Hz
Current	1.6A
Input Power	130W
Power Consumption	1.0kWh/24h
Temperature Control Range	Upper Zone: 41°F-50°F/5°C-10°C Lower Zone: 50°F-65°F/10°C-18°C
Net Weight	77 lbs
Gross Weight	82 lbs
Unit Dimensions	34.5" H x 15" W x 23" D (24.75" D with handle installed)
Packaging Dimensions	39" H x 19" W x 28" D

### IMPORTANT SAFETY INSTRUCTIONS



#### WARNING

To reduce the risk of fire, electrical shock, or injury when using your appliance, follow these basic precautions:

- Read all instructions before using the appliance.
  - **DANGER or WARNING:** An empty wine refrigerator can be a hazardous for children or small pets. If disposing of the wine refrigerator, remove gasket seals, latches, lids or the entire door from your unused appliance, or take other action to ensure the wine refrigerator is harmless.
- Never allow children to operate, play with, or crawl inside the appliance.
- Never clean appliance parts with flammable fluids or harsh chemicals. The fumes can create a fire hazard or explosion.
- Do not store or use gasoline or any other flammable vapors and liquids in the vicinity of this or any other appliance. The fumes can create a fire hazard or explosion.

### INSTALLATION INSTRUCTIONS

#### BEFORE USING YOUR APPLIANCE

- Remove the exterior and interior packing.
- Before connecting the appliance to the power source, let it stand upright for approximately 4 hours. This will reduce the possibility of a malfunction in the cooling system from handling during transportation.
- Clean the interior surface with lukewarm water using a soft cloth.
- Install the handle on the door.

#### INSTALLATION OF YOUR APPLIANCE

- The appliance is designed for built-in, recessed or freestanding installation.
- **WARNING:** Do not store or install the appliance outdoors.
- **CAUTION:** This appliance is designed for storing and cooling wines. Do not store perishable food, medicine or other medical products.
- Place your appliance on a hard and level floor that is strong enough to support it when it is fully loaded.
- We do not recommend installing the appliance on carpet.
- To level your appliance, adjust the leveling legs at the bottom of the appliance if needed.
- For freestanding installation, 5 inches (127mm) of space between the back and sides of the appliance are suggested, which allows the proper air circulation to cool the compressor and condenser. Even for built-in installation, it is a must to keep a 1/4" (6.35mm) space on each side and at the top. And the air vent at the front of the appliance must never be covered or blocked in any way.
- **NOTE:** Do NOT install the appliance near an oven or other heating source. Direct sunlight may affect the acrylic coating and heat sources may increase electrical consumption. For best performance, do not install the appliance behind a cabinet door or block the base grille.
- Avoid locating the appliance in area that may be exposed to excessive moisture.
- Plug in the appliance into an exclusive, grounded wall power outlet. Do not under any circumstances cut or remove the third (ground) prong from the power cord. Any questions concerning power and/or grounding should be directed toward a qualified electrician or an authorized service center.

# Installation

## **BUILT-IN CABINET INSTRUCTIONS**

These appliances are designed for both built-in or freestanding installation. For built-in installation, ensure proper service access and ventilation, allow at least ¼" (6.35mm) space on each side and at the top.

<b>CABINET OPENING DIMENSIONS (minimum)</b>	
<b>BWR-281DZ</b>	
<b>Width</b>	17"
<b>Depth</b>	24.5" + 2" handle
<b>Height</b>	34.5"

## **ELECTRICAL CONNECTION**



**WARNING: Improper use of the grounded plug can result in the risk of electrical shock. If the power cord is damaged, have it replaced by a qualified electrician or contact Whynter Service Department**

This appliance requires a standard 115/120 Volt AC ~/60Hz electrical ground outlet with three-prong. Have the wall outlet and circuit checked by a qualified electrician to make sure the outlet is properly grounded. The cord should be secured behind the appliance and not left exposed or dangling to prevent accidental injury.

The appliance should always be plugged into its own individual electrical outlet which has a voltage rating that matches the rating label on the appliance. This provides the best performance and also prevent over-loading house wiring circuits that could cause a fire hazard from overheated. Never unplug the appliance by pulling the power cord. Always grip the plug firmly and pull straight out from the receptacle. Repair or replace immediately all power cords that have become frayed or otherwise damaged. Do not use a cord that shows cracks or abrasion damage along its length or at either end. When moving the appliance, be careful not to damage the power cord.

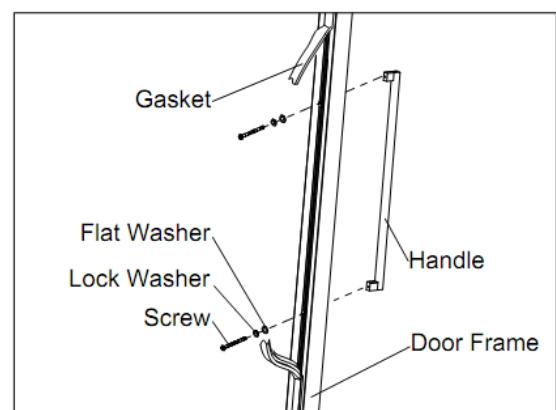
## **EXTENSION CORD**

Because of potential safety hazards, it is strongly recommended that you do not use an extension cord with this appliance. However, if you must use an extension cord, it is absolutely necessary that it be a UL/CUL-Listed, 3-wire grounding type appliance extension cord having a grounding type plug and outlet and that the electrical rating of the cord be 115 volts and at least 10 amperes.

## **INSTALLING STAINLESS STEEL HANDLES**

This appliance includes stainless steel handles that are not required to operate this appliance. To install the handles please follow the below instructions:

1. Remove door gasket. The gasket can be easily displaced by hand, no tools are necessary.
2. Use a flat-head screwdriver to remove the two pre-installed decorative plugs from the back of doors. Some wine refrigerators have no decorative plugs.
3. Install the handles tightly as shown with two screws, lock washers and flat washers provided. (DO NOT over tighten as this will cause damage to the handles and stainless steel door frames).
4. Replace the door gaskets to its original position.

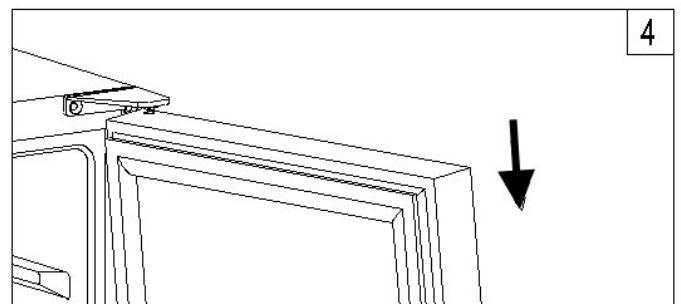
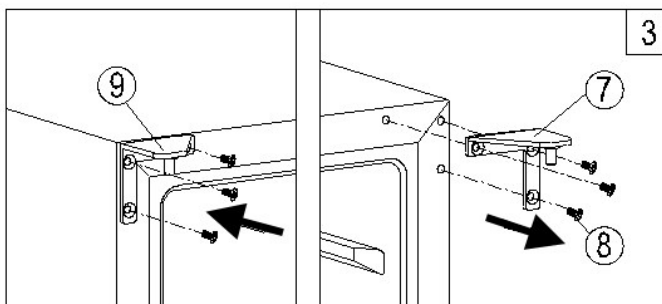
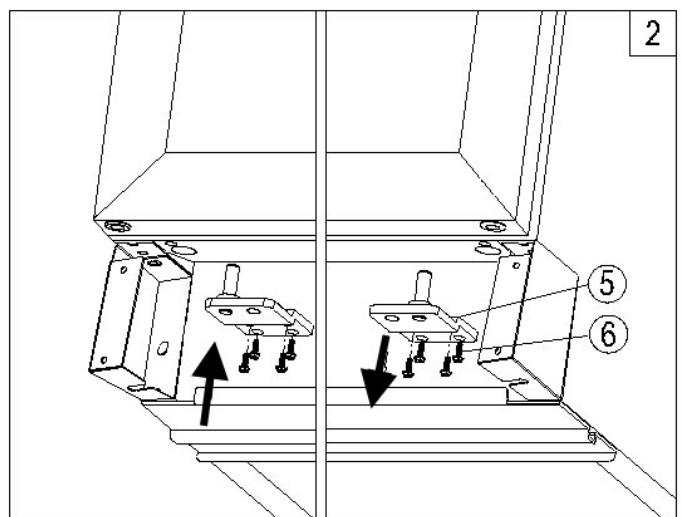
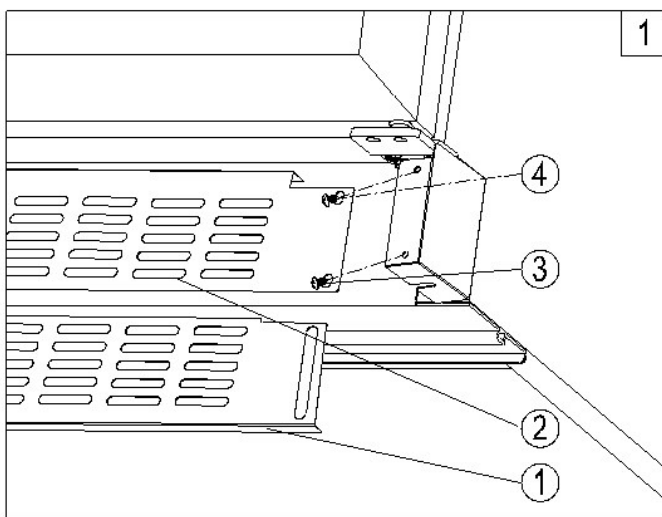




## REVERSING THE DOOR SWING OF YOUR WINE REFRIGERATOR

This appliance has the capability of the door opening from either the left or right side. The appliance is delivered to you with the door opening from the left side. Should you desire to reverse the opening direction, please follow the following reversal instructions.

1. Remove the front ventilation grille (2) and the adjustable ventilation grille (1) by unscrewing the screws (3) & (4). (Figure 1)
2. Remove the bottom hinge plate (5) by unscrewing the four lock screws (6). Be careful to hold the glass door firmly after removing the screws. (Figure 2)
3. Gently pull down to remove the glass door from the right top hinge and place it on a padded surface to avoid the risk of damage, then remove the right top hinge (7). (Figures 3 & 4)
4. Unscrew and transfer the hinge pin of the bottom hinge plate (5) to the opposite side.
5. Pop out the cover caps on the upper left side corner of the inside cabinet and use them to cover the screw holes on the right hand side.
6. Screw the alternative left top hinge (9), included in the fittings, on the left hand side of cabinet. (Figure 4)
7. Rotate the door 180° and then relocate the door to the designated position. Then screw the bottom hinge assembly on the left designated position and tighten it after the door is leveled. (Figure 2)
8. Reassemble the ventilation grilles.



## Operation and Controls

It is recommended you install the appliance in a place where the ambient temperature is between 72°- 78°F / 23°-26°C. If the ambient temperature is above or below recommended temperatures, the performance of the wine refrigerator may be affected. For example, placing your appliance in extreme cold or hot conditions may cause interior temperatures to fluctuate.

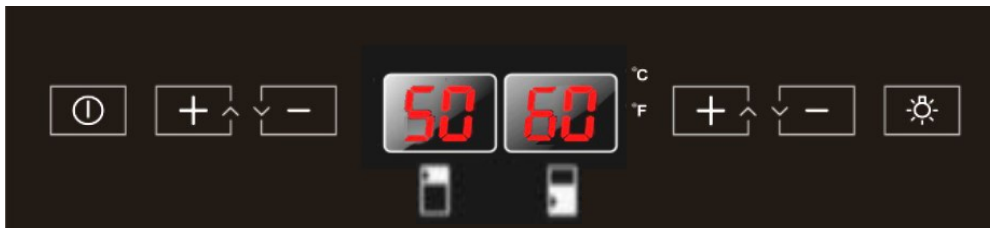
### NOTE:


- When using the wine refrigerator for the first time or restarting after being shut off for a long period of time, there may be a few degree variance between the set temperature and the LED readout. This is normal due the length of activation time. The unit should return to normal after running for a few hours. For model# BWR-281DZ, this unit will not raise its internal temperature if the ambient temperature where the unit is located is lower than the set temperature



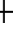
### RECOMMENDED TEMPERATURE SETTINGS


Conservation	49 - 57°F	10 - 14°C
Red Wines	58 - 72°F	15 - 22°C
Dry/White Wines	48 - 57°F	9 - 14°C
Rose Wines	49 - 51°F	10 - 11°C
Sparkling Wines	40 - 47°F	5 - 8°C


### CONTROL PANEL GUIDE





- POWER** 

To turn the appliance on/off, press and hold the  key for 5 seconds. Pressing the  key once can switch off the audible alarm when the alarm is on.
- UP** 

To increase (warm) the set temperature by 1°C or 1°F.
- DOWN** 

To decrease (cool) the set temperature by 1°C or 1°F.
- LIGHT** 

Used to turn the internal light on/off.
- DISPLAY**

 is for UPPER temperature zone and  is for LOWER temperature zone.

### °F/°C SELECTOR

Select the temperature display setting in Fahrenheit or Celsius degree. To change the temperature from Fahrenheit to Celsius or from Celsius to Fahrenheit, press and hold the LIGHT key for 5 seconds.

## Operation and Controls

**NOTE:** If the appliance is unplugged, encounter power interruption, or turned off, you must wait 3 -5 minutes before restarting the appliance. If attempted to restart before this time delay, the appliance may not start.

### **SETTING THE TEMPERATURE CONTROL**

- During normal operation, the temperature display on the control panel shows the temperature inside the appliance.
- The unit has two separate temperature zones. The temperature range of the UPPER zone is between 41°F and 50°F (5°C and 10°C) and the LOWER ZONE is between 50°F and 65°F (10°C and 18°C)
- When the unit is plugged in for the first time, the unit will power up automatically to the preset defaults. The preset temperature for the UPPER temperature zone is 43°F (6°C) and for LOWER temperature zone is 54°F (12°C).
- You can press the left side UP and DOWN keys to control the internal temperature of the UPPER temperature zone and press the right side UP and DOWN keys to control the internal temperature of the LOWER temperature zone.
- The temperature that you desire to set will increase 1°C or 1°F if you press the UP key once and will decrease 1°C or 1°F if you press the DOWN key once. The display flashes while you make the setting.
- After the temperature has been set, the display will flash four times before it shows the current internal temperature of the particular temperature zone.
- To view the set temperature at any time, press the UP or DOWN key, the set temperature will temporarily flash in the display for 5 seconds. Then the display shows the current internal temperature

### **TEMPERATURE MEMORY FUNCTION**

In the event of a power interruption (power surge, breaker switch, etc.), the unit can remember the previous temperature settings. When the power has restored, the temperature display will show the current cabinet temperature.

### **DOOR ALARM**

If the door has been left open for more than 60 seconds, the alarm will sound. The alarm will stop by closing the door.

### **INTERIOR LIGHT**

The interior light makes it easy to view your wine labels. The light will turn on when the door is open and turns off when the door is closed. The light can also be turned on or off using the light button on the display.

### **SABBATH MODE**

Sabbath mode is available for the observance of certain religious holidays. This mode turns off the displays, interior light and audible alarms and prevents them from turning on again. Normal cooling operations will still take place. To initiate Sabbath mode, press and hold the POWER and LIGHT keys at the same time for at least 5 seconds. The indicator light will flash four times and confirm the Sabbath mode is ON. Sabbath mode can be exited by repeating the above process. The Sabbath Mode will automatically exit after 96 hours.

### **CABINET SHELVES**

**NOTE:** Do not cover any part of the shelves with aluminum foil or any other material that will prevent adequate air circulation within the cabinet.

This appliance is equipped with removable shelves. To prevent damage to the door gasket, make sure the door is opened completely before pulling the shelves out.

## Operation and Controls

- For easy access of the wine bottles, you must pull the shelves approximately  $\frac{1}{3}$  out of the railing.
- The shelves are designed with an emergency stop to prevent them being removed too far when loaded.
- When removing the shelves out of the railing, make sure to remove all items first.
- To remove the shelves, pull the shelf forward until the notch aligns with the plastic post. Lift the shelf and continue to pull the shelf forward until it is completely removed from the internal compartment.

### **NORMAL SOUNDS**

The unit is cooled by a compressor. The compressor pumps coolant through the cooling system, producing operating noise. Even when the compressor cuts out, noises caused by changes in temperature and pressure are unavoidable. Operating noise will be most audible immediately after the compressor comes on. It becomes quieter as the operating period continues.

The following noises are normal and occur from time to time:

- Gurgling sound, caused by the refrigerant flowing through the appliance's coils,
- Humming noise made by the compressor. This noise can get louder for brief periods when the motor is switching on.
- Cracking/popping sounds, resulting from the materials contraction and expansion due to temperature variations,
- Fan operating sound, to circulate the air within the wine cabinet.
- Unusual noise is normally the result of improper installation.
- Where the unit is installed in open-plan kitchen or in partition walls, the level of operating noise will be heard more acutely. However, this is due to the surrounding architecture and not to the unit.

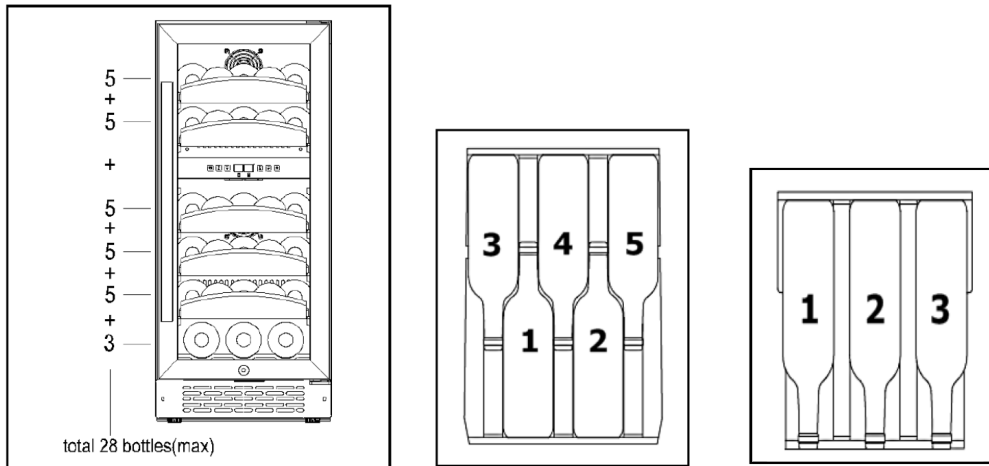
**NOTE:** *An individual's perception of noise is directly linked to the environment in which the unit is located, as well the specific type of models. Our appliances are in line with international standards for such appliance and in line with the latest technical developments. Please remember that the noise of the compressor and the coolant circulating in the system is unavoidable.*

### **DEFROSTING AND VENTILATION**

Your wine refrigerator is designed with an automatic defrost system. During off-cycle, the evaporator behind the rear wall of the unit defrosts automatically. Condensation is collected in the drain at the back of the unit and flows through the drainage hole into the drip tray above the compressor. The heat is transferred from compressor and evaporates any condensation that has collected in the drip tray. Part of the remaining water within the wine refrigerator is collected for humidity purposes.

**NOTE:** *Frost may accumulate on the evaporator if the unit is repeatedly opened in a high heat or high humidity location. If this frost pattern does not clear within 24 hours, your unit will require manual defrosting.*

## Storage



### **DOOR LOCK**

The appliance is provided with a lock and key combination. The keys are located inside the plastic bag that holds the User Manual. Insert the key into the lock and turn it counterclockwise to unlock the door. To lock the door do the reverse operation making sure metal pin is engaged completely. Remove the key and place it in a secure place.

### **STORAGE**

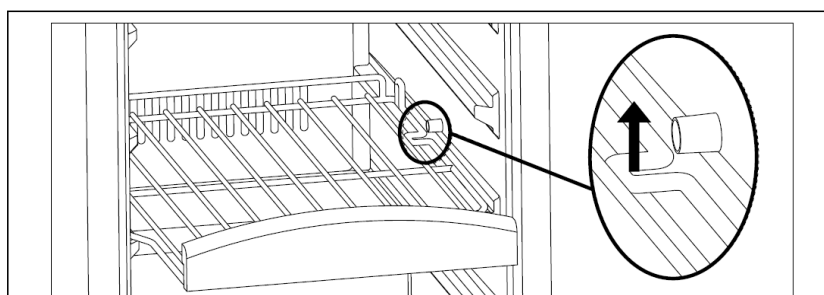
Wine bottles may differ in size and dimensions so the actual number of bottles can be stored may vary. The 28 bottle capacity are approximate maximums when storing traditional Bordeaux 750 ML bottles and includes bulk storage.

You may load your wine bottles in single row or by stacking while taking note of the following: if you do not have enough bottles to fill your wine refrigerator, it is better to distribute the load throughout the wine refrigerator so as to avoid “all on top” or “all below” type loads.

- You can remove or relocate adjustable shelves to accommodate larger type of bottles (see removing shelves)
- Keep small gaps between the walls and the bottles to allow air circulation.
- Do not over load your wine refrigerator
- Avoid obstructing the internal fans (located inside on the back panel of the wine refrigerator).
- Do not try to slide the shelves outwards beyond the fixed position to prevent the bottles from falling.
- Do not pull out more than one loaded shelf at a time as this may cause the wine refrigerator to tilt forward if not properly installed.

### **REMOVING SHELVES**

- This appliance is equipped with 5 removable shelves. To prevent damage to the door gasket, make sure the door is opened completely before pulling the shelves out.
- For easy access of the wine bottles, you must pull the shelves approximately  $\frac{1}{3}$  out of the railing.
- When removing the shelves out of the railing, make sure to remove all items first.
- To remove the shelves, pull the shelf forward until the notch aligns with the plastic post (approximately half way forward) on each side of the shelf track.
- Lift the shelf until both notches pass through the posts.
- Continue to pull the shelf forward until it is completely removed from the inner compartment.



## Care and Maintenance

***CAUTION: Failure to unplug the appliance during service could result in electrical shock or personal injury.***

### **CLEANING YOUR APPLIANCE**

- Turn off the power, unplug the appliance, and remove all items including shelves.
- Wipe the interior with a warm water and baking soda solution. The solution should be about 2 tablespoons of baking soda to one quart of water.
- Wipe the shelves with a mild detergent solution.
- Wipe the outside cabinet with warm water and mild liquid detergent.
- Do not use steel wool or steel brush on the stainless steel. These will erode the stainless steel and rusting may occur.



***CAUTION: Failure to unplug the appliance could result in electric shock or personal injury***

### **PREMISES POWER FAILURE**

- In the event of a power interruption, all previous temperature settings are automatically memorized. If power is interrupted (power surge, breaker switch, etc.) and then powered up again, the unit will operate with the last temperature set-point.
- Most power failures are corrected within a few hours and should not affect the temperature of your appliance if you minimize the number of times the door is opened. If the power is going to be off for a longer period of time, you need to take the proper steps to protect your contents.

### **VACATION TIME**

- Short vacations: Leave the appliance operating during vacations of less than two days
- Long vacations: If the appliance will not be used for an extended period, remove all items and turn off the appliance. Clean and dry the interior thoroughly.

### **MOVING YOUR APPLIANCE**

- Remove all items inside the appliance.
- Securely tape down (we recommend using painter's tape) all loose items (shelves) inside your appliance.
- Turn the adjustable leg up to the base to avoid damage.
- Tape (we recommend using painter's tape) the door shut.
- Be sure the appliance stays secure in the upright position during transportation and protect the exterior of appliance with a blanket, or similar item.

### **ENERGY SAVING TIPS**

- The appliance should be located in the coolest area of the room, away from heat producing appliances, and out of any direct sunlight.
- Ensure that the appliance is adequately ventilated. Never obstruct the air vents.
- Close the door tightly and do not open the appliance too frequently or for a long period of time.
- Store the content in an organized way
- Do not over-fill the appliance to allow air to circulate

## Troubleshooting

Problem	Possible Causes	Solutions
The appliance does not operate	<ul style="list-style-type: none"> <li>• There is a power failure</li> <li>• The appliance is not plugged in</li> <li>• A house fuse has blown or the</li> </ul>	<ul style="list-style-type: none"> <li>• Ensure the appliance is plugged in and the power outlet has power</li> <li>• Replace the broken fuse or reset the breaker</li> </ul>
The appliance is not cold enough	<ul style="list-style-type: none"> <li>• The set temperature too high</li> <li>• The appliance is placed too close to a heat source</li> <li>• The door is opened too often</li> <li>• The door is not closed completely</li> <li>• The door gasket does not seal properly</li> <li>• The front bottom grille does not</li> </ul>	<ul style="list-style-type: none"> <li>• Adjust the set temperature</li> <li>• Keep the appliance away from sunshine or other heat sources</li> <li>• Close the door tightly and do not open the door too frequently or for a long period of time</li> <li>• Ensure the door gasket is not loose. The front bottom grille must be completely unobstructed</li> </ul>
The appliance turns itself on and off frequently	<ul style="list-style-type: none"> <li>• The ambient (room) temperature is too low or high</li> <li>• A large amount of contents has been added to the appliance</li> <li>• The door is opened too often</li> <li>• The door is not closed completely</li> <li>• The door gasket does not seal properly</li> </ul>	<ul style="list-style-type: none"> <li>• Decrease or increase the ambient (room) temperature</li> <li>• To minimize internal temperature fluctuation, do not add large amount of contents at once</li> <li>• Close the door tightly and do not open the door too frequently or for a long period of time</li> <li>• Ensure the door gasket is not loose</li> </ul>
The appliance makes too much noise	<ul style="list-style-type: none"> <li>• The noise may come from the flow of the refrigerant and expansion of the inside walls may cause popping and crackling noises</li> <li>• Contraction and expansion of the inside walls may cause popping and crackling noises</li> <li>• The appliance is not level</li> </ul>	<ul style="list-style-type: none"> <li>• It is normal that as each cooling cycle ends, you may hear rattling or gurgling sounds caused by the flow of refrigerant in the appliance. The high efficiency compressor may make a pulsating or high pitched sound</li> <li>• Some popping or cracking noises are normal. They are caused by expansion and contraction of the inside walls due to temperature changes</li> <li>• Make sure the unit is on a hard and level surface. Do not place the appliance on carpet</li> </ul>
The door does not close properly	<ul style="list-style-type: none"> <li>• The appliance is not level</li> <li>• The door was reversed and not properly installed</li> <li>• The shelves are out of position</li> </ul>	<ul style="list-style-type: none"> <li>• Make sure the wine refrigerator is on a hard and level surface. Avoid placing the appliance on a carpeted or soft surface</li> <li>• Correctly install the shelves</li> </ul>

## Troubleshooting

Problem	Possible Causes	Solutions
Display "E0", "E1", "E2", "E3", "E4", "E5", "E7", or "ED"	<ul style="list-style-type: none"> <li>• "ED" indicates that the door has been left open for more than 60 seconds</li> <li>• "E0" indicates the communication error for 3 zone models</li> <li>• "E1" or "E2" indicates that the air temperature sensor is failed</li> <li>• "E3" or "E4" indicates that the defrost sensor in the evaporator is failed</li> <li>• "E5" indicates the defrost heater failure</li> <li>• "E7" indicates the door switch failure</li> </ul>	<ul style="list-style-type: none"> <li>• Close the door</li> <li>• Call for service</li> </ul>
The alarm sounds and the temperature display flashes	<ul style="list-style-type: none"> <li>• Door has been opened for more than 60 seconds</li> <li>• The appliance door being opened too often</li> <li>• The ventilation opening being covered or too dusty</li> <li>• A lengthy interruption to the power supply</li> <li>• A large amount of bottles has been added to the unit</li> </ul>	<ul style="list-style-type: none"> <li>• Close the door</li> <li>• Do not open the door more often than necessary</li> <li>• Clear the obstructions and clean the dust</li> <li>• Leave the appliance to work for a while until the set temperature has been reached.</li> </ul>
The icon "--" is lit up and flashing in the temperature display	<ul style="list-style-type: none"> <li>• The display temperature is out of the range</li> </ul>	<ul style="list-style-type: none"> <li>• Only temperatures within the range 16 - 99°F/ -9 - 37°C the appliance can display will be shown. If the temperature is not within this range, the icon "--" will be displayed instead. That is normal</li> </ul>



# ONE YEAR LIMITED WARRANTY

This WHYNTER product is warranted to the original owner, purchased from an authorized Whynter dealer within the 48 U.S. continental states, for one year from the original purchase date against defects in material and workmanship under normal residential usage. Should your WHYNTER product prove defective within one year from the date of purchase, contact Whynter's Customer Support Team with the serial number and proof of purchase to make a warranty claim. A Return Authorization Number must be issued before returning any parts or products. Parts or products received without a Whynter issued Return Authorization Number will be refused. Under this warranty, Whynter will repair or replace any parts found defective with new or remanufactured parts or exchange the defective product with a new, refurbished, or remanufactured product at our discretion. All defective products and parts covered by this warranty will be repaired or replaced on a mail-in basis to Whynter's Service Center. This warranty is not transferable. After the expiration of the warranty, the cost of labor and parts will be the responsibility of the original owner.

Return freight is prepaid by Whynter within two months of purchase. After two months to one year, the customer will be responsible for the return freight cost to Whynter's Service Center. Please package the product carefully in its original packaging to avoid damage in transit. Whynter is not responsible for damage resulting from shipper mishandling or improper packaging. Please retain the original box and packaging materials.

## THIS WARRANTY DOES NOT COVER:

- Acts of God, such as fire, flood, hurricanes, earthquakes and tornadoes.
- Improper power supply such as power surge, low voltage, defective household wiring or inadequate fuses.
- Use in commercial or industrial applications.
- Damage, accidental or otherwise, to the WHYNTER Beverage Refrigerator while in the possession of a consumer not caused by a defect in material or workmanship
- Damage caused by consumer misuse, tampering, or failure to follow the care and special handling provisions in the instructions.
- Damage to the finish of the case, or other appearance parts caused by wear.
- Damage caused by repairs or alterations to the product by anyone other than authorized by the manufacturer.
- Removal, Replacement Packaging, Freight and Insurance cost for the warranty service.

## DISCLAIMER OF IMPLIED WARRANTIES; LIMITATION OF REMEDIES

CUSTOMER'S SOLE AND EXCLUSIVE REMEDY UNDER THIS LIMITED WARRANTY SHALL BE PRODUCT REPAIR OR REPLACEMENT AS PROVIDED HEREIN. CLAIMS BASED ON IMPLIED WARRANTIES, INCLUDING WARRANTIES OF MERCHANTABILITY OR FITNESS FOR A PARTICULAR PURPOSE, ARE LIMITED TO ONE YEAR OR THE SHORTEST PERIOD ALLOWED BY LAW, BUT NOT LESS THAN ONE YEAR. WHYNTER SHALL NOT BE LIABLE FOR CONSEQUENTIAL OR INCIDENTAL DAMAGES SUCH AS PROPERTY DAMAGE AND INCIDENTAL EXPENSES RESULTING FROM ANY BREACH OF THIS WRITTEN LIMITED WARRANTY OR ANY IMPLIED WARRANTY. SOME STATES AND PROVINCES DO NOT ALLOW THE EXCLUSION OR LIMITATION OF INCIDENTAL OR CONSEQUENTIAL DAMAGES, OR LIMITATIONS ON THE DURATION OF IMPLIED WARRANTIES, SO THESE LIMITATIONS OR EXCLUSIONS MAY NOT APPLY TO YOU. THIS WRITTEN WARRANTY GIVES YOU SPECIFIC LEGAL RIGHTS. YOU MAY ALSO HAVE OTHER RIGHTS THAT VARY FROM STATE TO STATE.

**The warranty, product contents and specifications are subject to change at any time without notice; please refer to [www.whynter.com](http://www.whynter.com) for the most current information.**

To register your warranty, please visit [www.whynter.com](http://www.whynter.com) and fill out the online Warranty Registration form. Please be sure to include a copy of your purchase invoice.

To obtain service or information, contact Whynter LLC via email at [support@whynter.com](mailto:support@whynter.com) or call 866-WHYNTER (866-949-6837).

Copyright © 2017 Whynter LLC - V 20180219-1037

[www.whynter.com](http://www.whynter.com)