



## VORTEX RX3300

Assembly Instructions & Manual

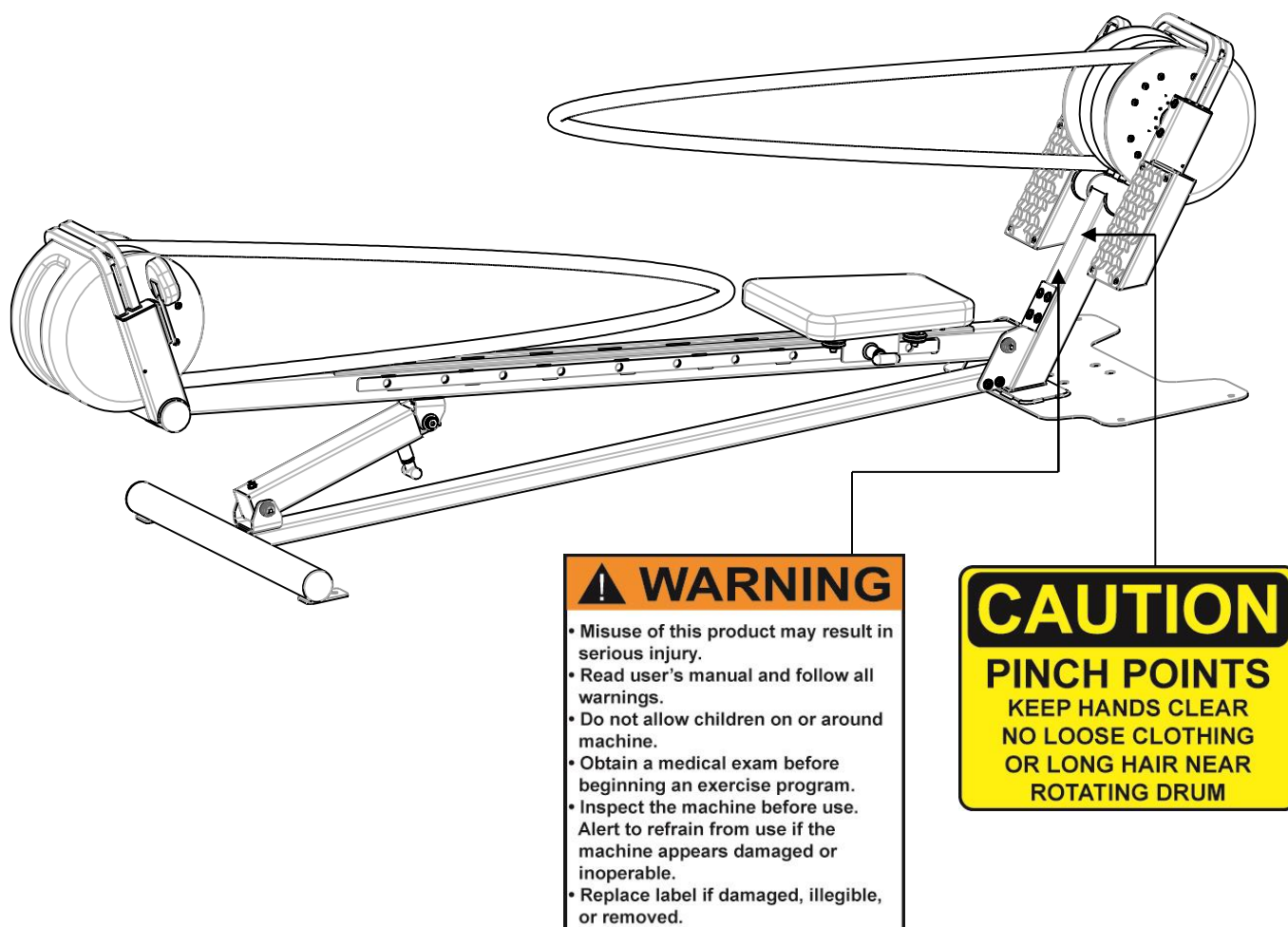
PN: 32-1024

Configuration subject to change

## WARNING DECAL PLACEMENT


---

The decals shown here have been placed on the equipment in indicated locations. If any of the decals are missing or illegible, call us toll-free at 650.549.5888, Monday through Friday, 9 a.m. until 5 p.m. Pacific Time, to order replacement decals. Apply replacement decals in the locations shown.




## IMPORTANT PRECAUTIONS

---

 **WARNING:** To reduce the risk of serious injury, read the following important precautions before using this equipment.

1. Read all instructions in this manual and assemble as described before using this equipment.
2. It is the responsibility of the owner to ensure that all users of this equipment are adequately informed of all precautions.
3. Use this equipment only on a level surface. Cover the floor beneath to protect the surface.
4. Keep children under 12 and pets away from the equipment at all times.
5. Make sure all parts are properly tightened each time you use this machine. Replace any worn parts immediately.
6. Make sure the adjustment knobs are fully engaged / disengaged before using the equipment.
7. Always wear athletic shoes for foot protection while exercising.
8. This equipment is designed to support a maximum user weight of 300 pounds.
9. Pull on one the rope only and never grab a rope in a way that prevents the drum from rotating. Never attempt to hang on the rope. Pull rope with hands only.
10. If you feel pain or dizziness at any time while exercising, stop immediately and begin cooling down.

 **WARNING:** Before beginning this or any exercise program, consult your physician. This is especially important for persons over the age of 35 or persons with pre-existing health problems. Read all instructions before using. HIPEQ assumes no responsibility for personal injury or property damage sustained by or through the use of this product.

## Tools Required for Assembly

---

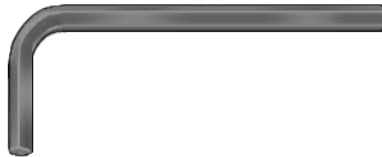
### **3/16 Hex Key for 5/16" Button Head Screws**



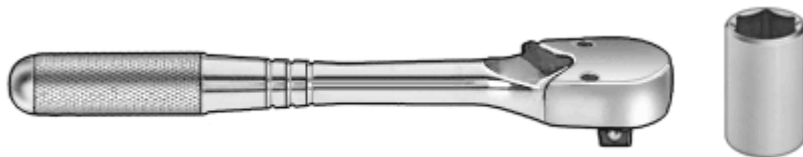
### **5/16 Hex Key for 3/8" Screws and 1/2" shoulder screws**



### **1/4 Hex Key for 5/16" Socket Head Screws**



### **3/4 and 9/16 Hex Socket Ratchet Wrench**



# Product Assembly

## STEP 1

### Parts:

- RX3300 Drum Base w/ Rope
- RX3300 Slide Seat Assembly with upper drum
- RX3300 T-Base
- RX3300 Assist Telescope

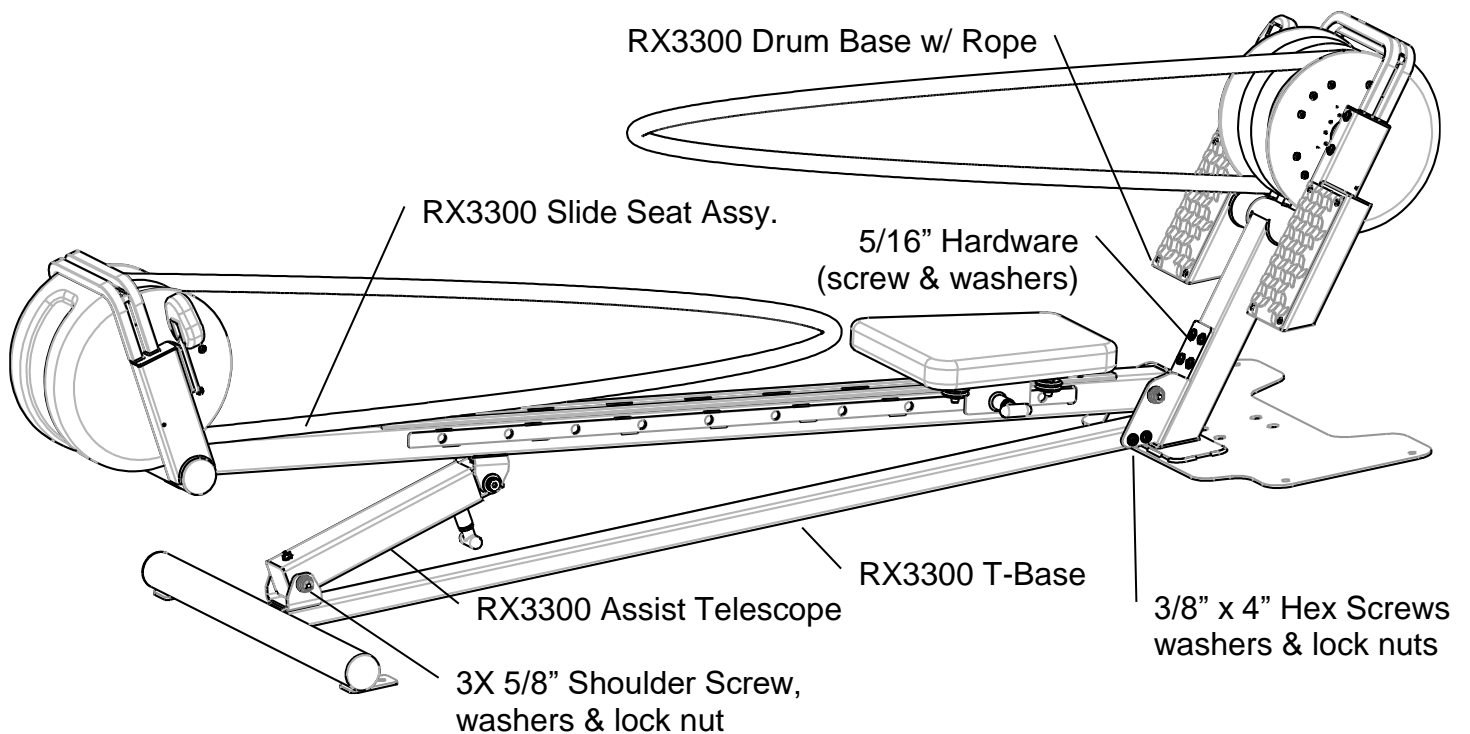
### Hardware:

- Button Head Screw 5/16" x 1" – Qty.6
- Socket Cap Screw 3/8" x 4 – Qty.2
- Shoulder Screw 5/8" – Qty.3
- 5/8" Bushing – Qty. 6
- Washer 5/16" – Qty.6
- Washer 3/8" – Qty.4
- Washer 1/2" – Qty.3
- Washer 5/8" – Qty.3
- Large OD Washer 1/2" – Qty.6
- Locknut 1/2" – Qty.3
- Locknut 3/8" – Qty.2

1-1 Attach RX3300 Drum Base to Slide Seat Assembly as shown.

1-2 Attach RX3300 T-Base and RX3300 Assist Telescope as shown.

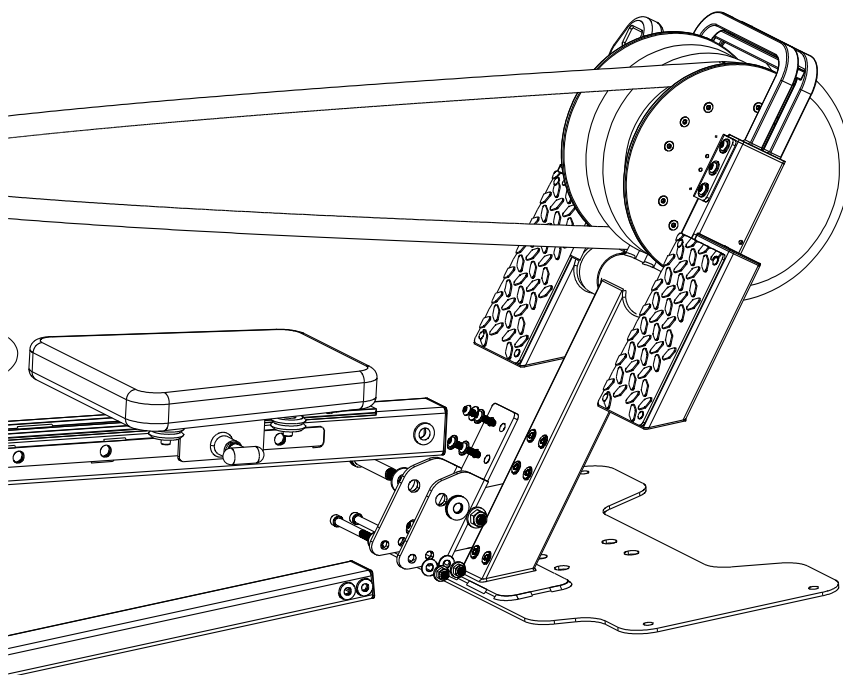
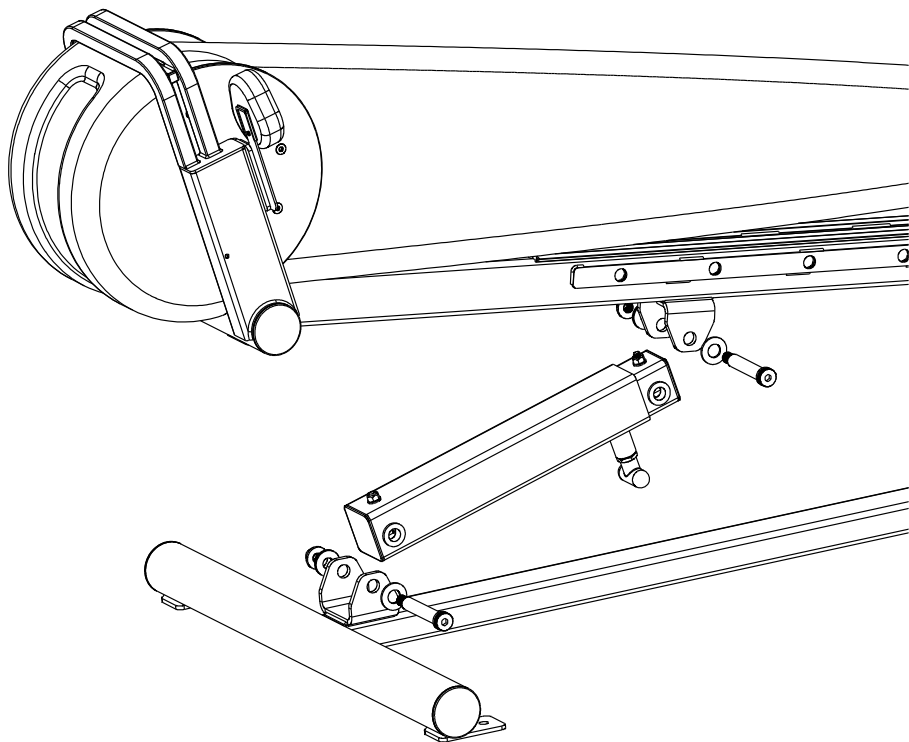
Install and completely tighten the hardware (use screw & washer).



# Product Assembly

---

## STEP 1 – Installation diagram continued



## Slide Seat and Angle Adjustment

---

2-1 Pull locking pin out, adjust seat to desired location and push pin into mating hole.

2-2 For continuous slide seat configuration pull locking pin out, and turn it  $\frac{1}{4}$  turn in either direction.

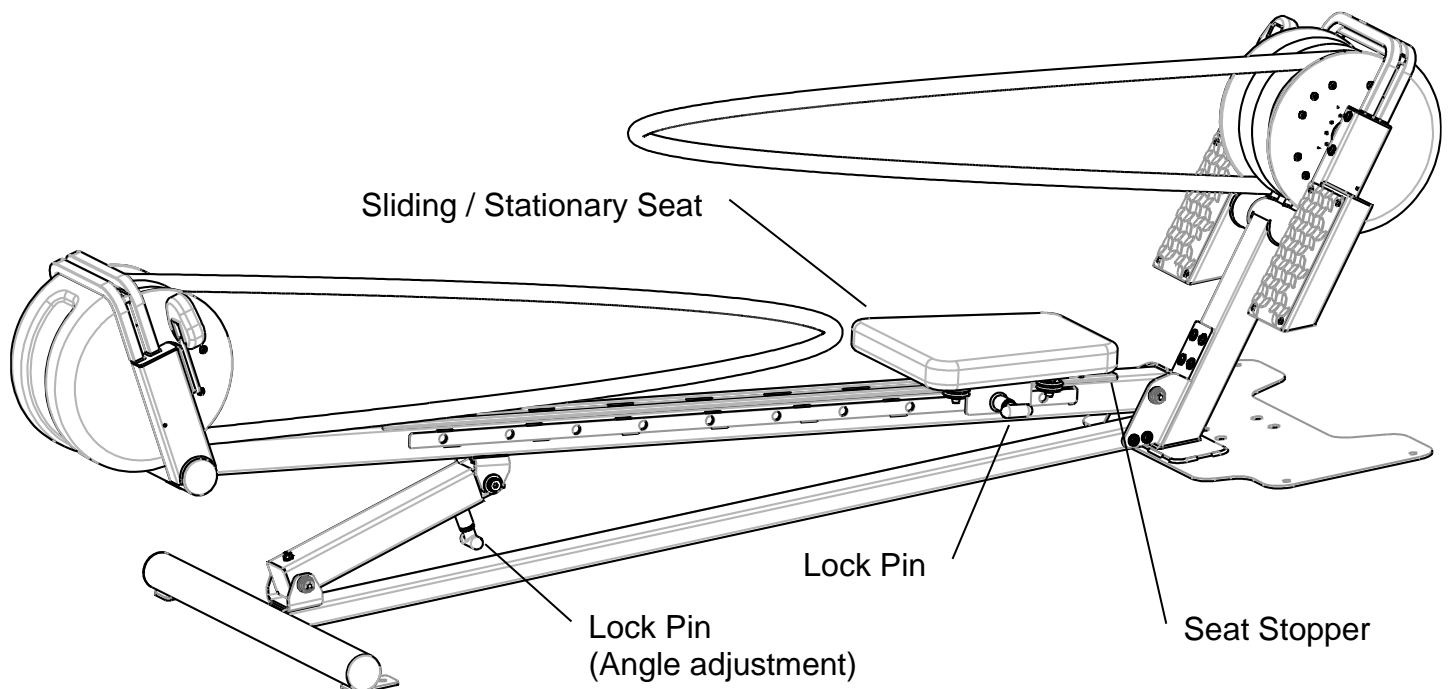


**Note:** Avoid hard impact of sliding seat with seat stopper

2-3 Pull locking pin out, adjust angle to desired location and push pin into mating hole.



**Note:** To avoid slipping off the cushion use of waist belt is recommended



## Equipment Maintenance

---

**WARNING:** Routine inspection and maintenance is of critical importance to ensure maximum safety and performance. We use the highest quality materials available, but wear is inevitable. Be advised that dangerous conditions can arise even during a warranty period. A warranty does not negate the owner's responsibility to thoroughly, carefully and daily inspect the machine. Consult your physician before starting your exercise program. For your own safety, do not begin any exercise program without proper instruction.

### 1. Check Rope

While the machine is not in use carefully inspect the rope for damage and tears. Carefully inspect connection of rope ends and make sure that stitching (threads) are not torn or damaged. Do not use equipment until damaged rope has been replaced.

### 2. Upholstery

Wipe down after every workout.

Periodically take the time to use a mild soap or mild vinyl upholstery cleaner. Avoid using any abrasive cleaner not intended for use on vinyl.

Keep sharp or pointed objects out of your pockets and clear of all upholstery.

### 3. Nuts/Bolts/Fasteners

Periodically inspect all nuts and bolts. Tighten if needed. If bolts seem to loosen periodically, use Loctite 242 for a long-term cure.

Go through a re-tightening sequence periodically to ensure that all hardware is properly tensioned.

### 4. Adjustments / Locking Pins / Tightening Knobs

Check all pieces for signs of visible wear or damage.

Check springs in Snap Links and Pop Pins for proper tension and alignment.

If the spring sticks or has lost its rigidity, replace it immediately.

### 5. Anti-Skid Surfaces

Replace if they appear worn or become slippery.

### 6. Lubrication

Periodic lubrication of seat slides and bearings is required. Use WD-40 or engine oil with cloth to wipe all slide and bearing surfaces.

### 7. Warning Instruction Labels

Inspect and familiarize yourself with all safety warnings and other user information on decals. Replace decals if damaged, illegible, or removed.



## WARRANTY

---

We strive to offer the simplest and fastest resolution to all product related concerns. Our warranty service program gives its customers the option to return the product for repair, exchange or refund if the product is determined to be defective.

- All products are warranted to the original purchaser.
- Warranties apply and cover all defects in material and workmanship.

Frame (excluding coating): Lifetime  
Rope, Sheaves, Bearings and Labor: One-Year

- The customer is responsible for the cost of shipment to HiPEQ and we will be responsible for the cost of shipment back to the customer.
- Out-of-Warranty Products are repaired only with the customers prior approval.
- 15 Day 100% Satisfaction Guarantee includes full refund of purchase price, less shipping, handling and restocking fee equaling 15% of price during purchase. Email for more details. If you decide to return a HiPEQ product, simply email us within 15 days to ask for a return authorization number (RMA). Items must be returned in original condition and packaging and postmarked no later than 2 weeks after the date of return authorization.

If you have any questions regarding HIPEQ  
equipment or any instruction found in this document  
please call 650.549.5888 for assistance.