

PLEASE REGISTER YOUR NEW PRODUCT

To register your product online please go to:

www.hipeq.com/product-registration

Product serial number is located on equipment or is shown in the box below

SERIAL NUMBER

If serial number is not shown
please check equipment

ROPEFLEX®

ORYX – RX2500

Assembly Instructions & Manual

DOC: 32-1016

Configuration subject to change

WARNING DECAL PLACEMENT

The decals shown here have been placed on the equipment in indicated locations. If any of the decals are missing or illegible, call us toll-free at 650.549.5888, Monday through Friday, 9 a.m. until 5 p.m. Pacific Time, to order replacement decals. Apply replacement decals in the locations shown.

⚠ WARNING

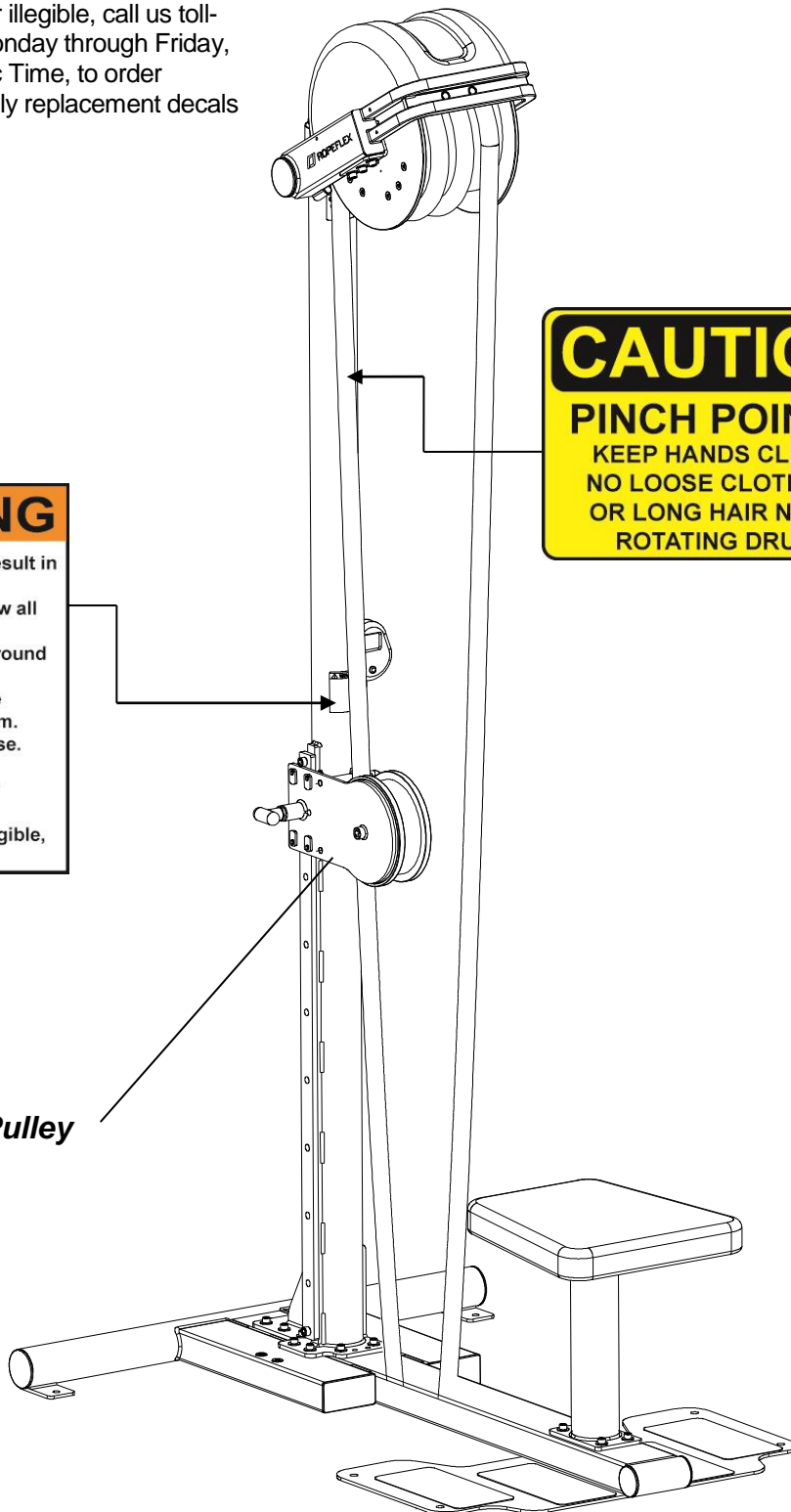
- Misuse of this product may result in serious injury.
- Read user's manual and follow all warnings.
- Do not allow children on or around machine.
- Obtain a medical exam before beginning an exercise program.
- Inspect the machine before use. Alert to refrain from use if the machine appears damaged or inoperable.
- Replace label if damaged, illegible, or removed.

CAUTION

PINCH POINTS

KEEP HANDS CLEAR
NO LOOSE CLOTHING
OR LONG HAIR NEAR
ROTATING DRUM

Adjustable Pulley



IMPORTANT PRECAUTIONS



WARNING: To reduce the risk of serious injury, read the following important precautions before using this equipment.

1. Read all instructions in this manual and assemble as described before using this equipment.
2. It is the responsibility of the owner to ensure that all users of this equipment are adequately informed of all precautions.
3. Use this equipment only on a level surface. Cover the floor beneath to protect the surface.
4. Keep children under 12 and pets away from the equipment at all times.
5. Make sure all parts are properly tightened each time you use this machine. Replace any worn parts immediately.
6. Make sure the adjustment knobs are fully engaged / disengaged before using the equipment.
7. Always wear athletic shoes for foot protection while exercising.
8. This equipment is designed to support a maximum user weight of 300 pounds.
9. Pull on one the rope only and never grab a rope in a way that prevents the drum from rotating. Never attempt to hang on the rope. Pull rope with hands only.
10. If you feel pain or dizziness at any time while exercising, stop immediately and begin cooling down.



WARNING: Before beginning this or any exercise program, consult your physician. This is especially important for persons over the age of 35 or persons with pre-existing health problems. Read all instructions before using. HIPEQ assumes no responsibility for personal injury or property damage sustained by or through the use of this product.

Contents / Parts List

ITEM	QUANTITY	DESCRIPTION
1	1	RX2500 Drum with Rope
2	1	RX2500 Main Mast
3	1	RX2500 Base
4	1	RX2500 Seat
5	1	RX2500 Seat stand
6	1	Rope Pulley Assembly
7	24	Button Head Screw 5/16"-18 x 1"
8	24	Washer 5/16"
9	2	Socket Screw 7/16"-14 x 5/8"
10	2	Washer 7/16"
11	1	Display bracket
12	1	LCD Display
13	1	LCD Display screw

Tools Required for Assembly

- **3/8 Hex Key for 7/6" Screw**
- **3/16 or 1/4 Hex Key for 5/16" Button**
- **5/16 Hex Key for 3/8" Socket Head Screws**



Philips #2 Screw Driver



Product Assembly

STEP 1 (Standard RX2500 Configuration)

Parts:

- RX2500 Seat stand
- RX2500 Seat

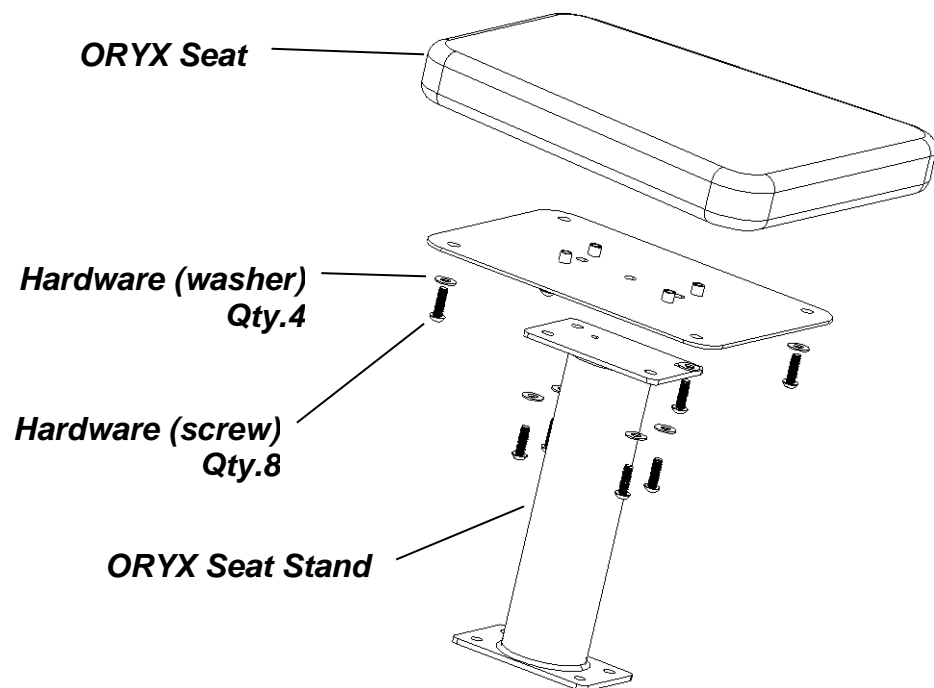
Hardware:

- Button Head Screw 5/16" x 1"
- Washer 5/16"

Tools:

- 3/16 or 1/4 Hex Key for 5/16" Button Head Screws

- 1-1 Attach RX2500 Seat support plate to RX2500 Seat stand.
- 1-2 Install and completely tighten hardware (use screw only).
- 1-3 Attach item from step 1-2 to ORYX Seat (Box 2).
- 1-4 Install and completely tighten hardware (use screw & washer).



Product Assembly

STEP 2 (for Hipervision enabled RX2500 refer to page 11)

Parts:

- RX2500 Main Mast
- RX2500 Base
- RX2500 Seat Assembly

Hardware:

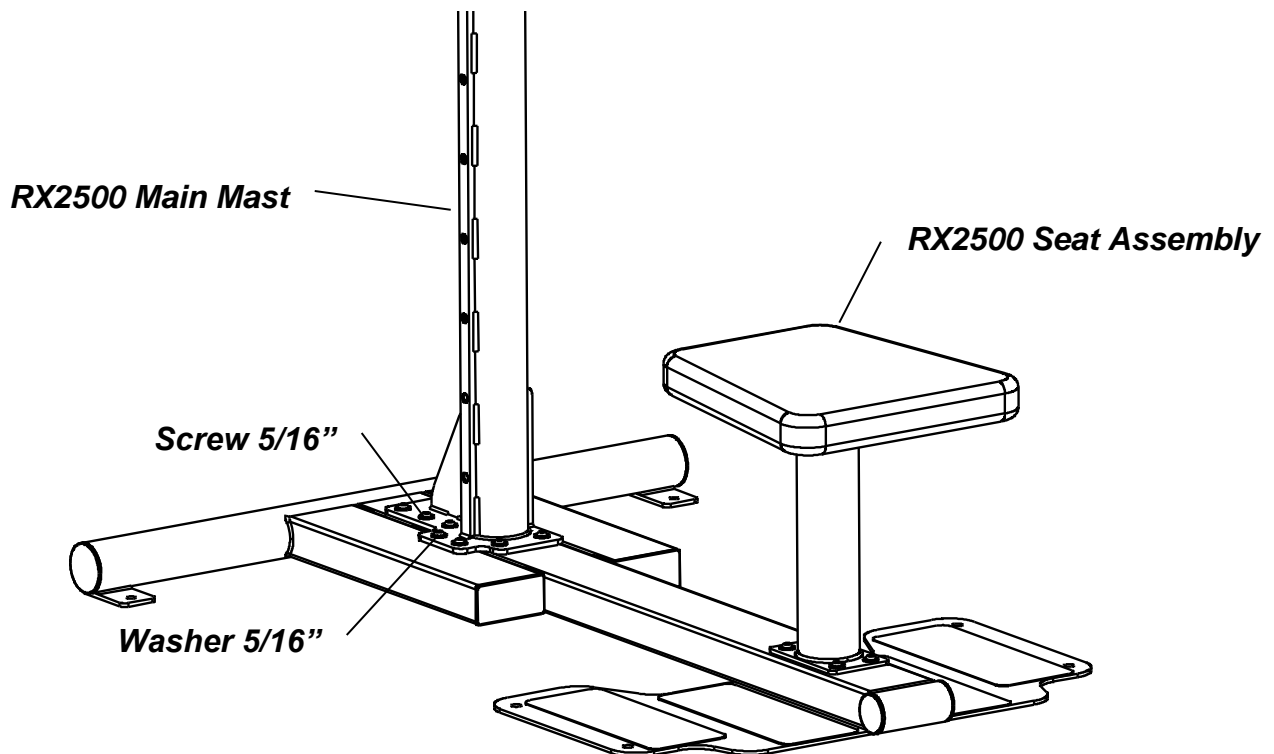
- Button Head Screw 5/16" x 1"
- Washer 5/16"

Tools:

- 3/16 or 1/4 Hex Key for 5/16" Button Head Screws

2-1 Attach RX2500 Main Mast to Base as shown and completely tighten hardware (use screws and washers).

2-2 Attach RX2500 Seat Assembly to RX2500 Base as shown and completely tighten hardware (use screws and washers).



Product Assembly

STEP 3

Parts:

- Assembly from STEP 2
- RX2500 Rope Drum

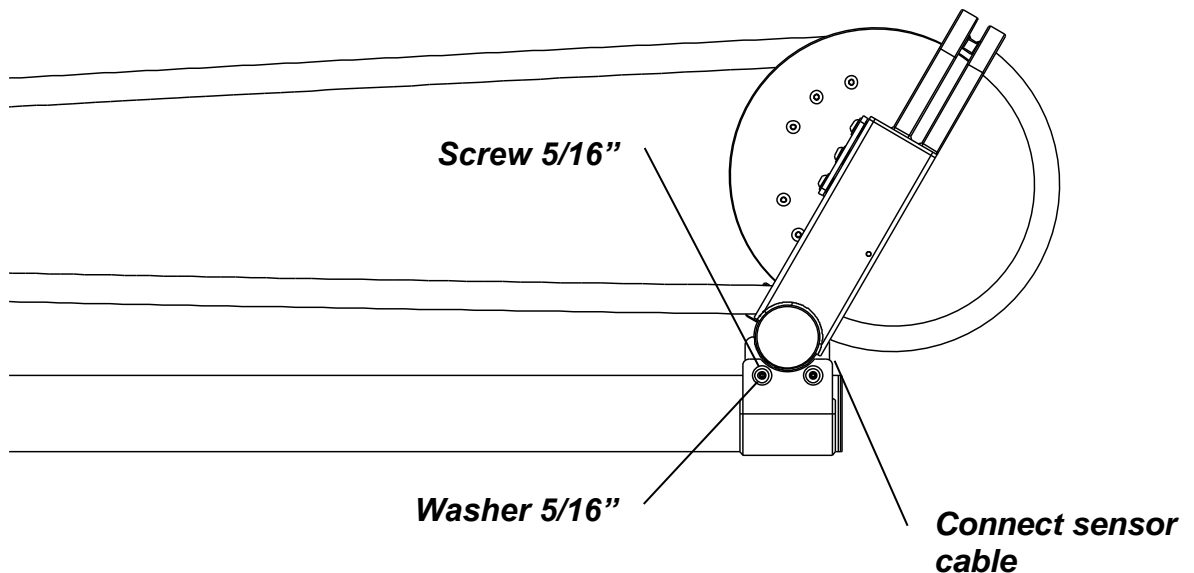
Hardware:

- Button Head Screw 5/16" x 1"
- Washer 5/16"

Tools:

- 3/16 or 1/4 Hex Key for 5/16" Button Head Screws

- 3-1 Tilt assembly from STEP 2 and lay it down as shown.
- 3-2 Attach RX2500 Rope Drum to assembly from STEP 2 and completely tighten hardware on both sides (use screws and washers).
- 3-3 Attach sensor cable from the Drum to the connector on the RX2500 Main Mast.
- 3-4 Tilt machine back up to a standing position.



Product Assembly – Pulley Assembly (Revision A)

STEP 4.A

Parts:

- Assembly from STEP 3
- RX2500 Pulley Assembly

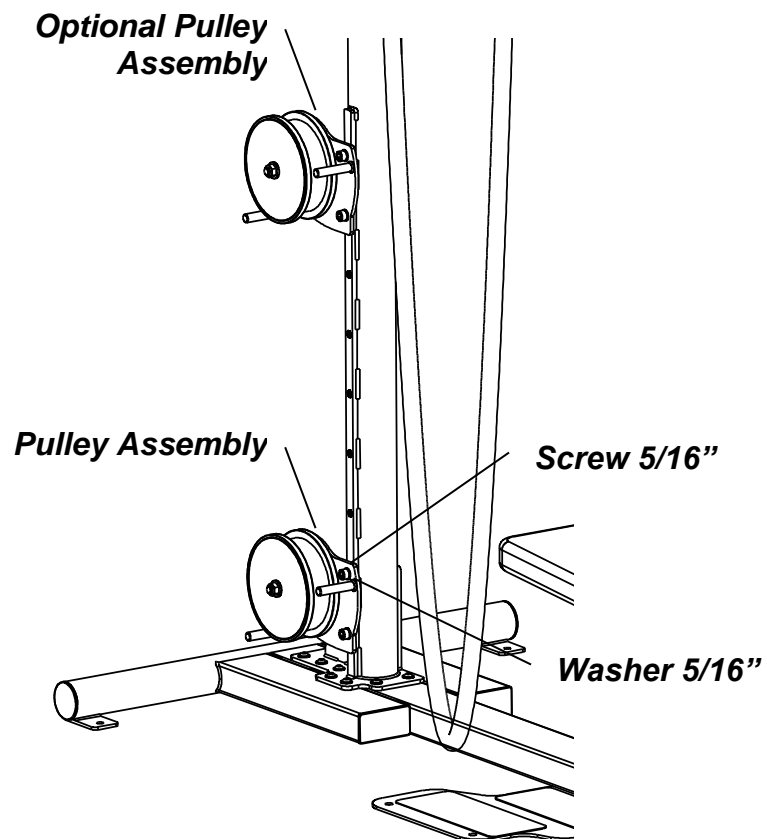
Hardware:

- Button Head Screw 7/16" x 5/8"
- Washer 7/16"

Tools:

- 3/8 Hex Key for 7/16" Socket Screws

- 4-1 Attach Pulley Assembly to assembly from STEP 3 and completely tighten hardware (use screws and washers).
- 4-2 Attach optional pulley assemblies along the mast, removing filler set screws as required.



Product Assembly – Pulley Assembly (Revision B)

STEP 4.B

Parts:

- Assembly from STEP 3
- RX2500 Pulley Assembly REV.B

Hardware:

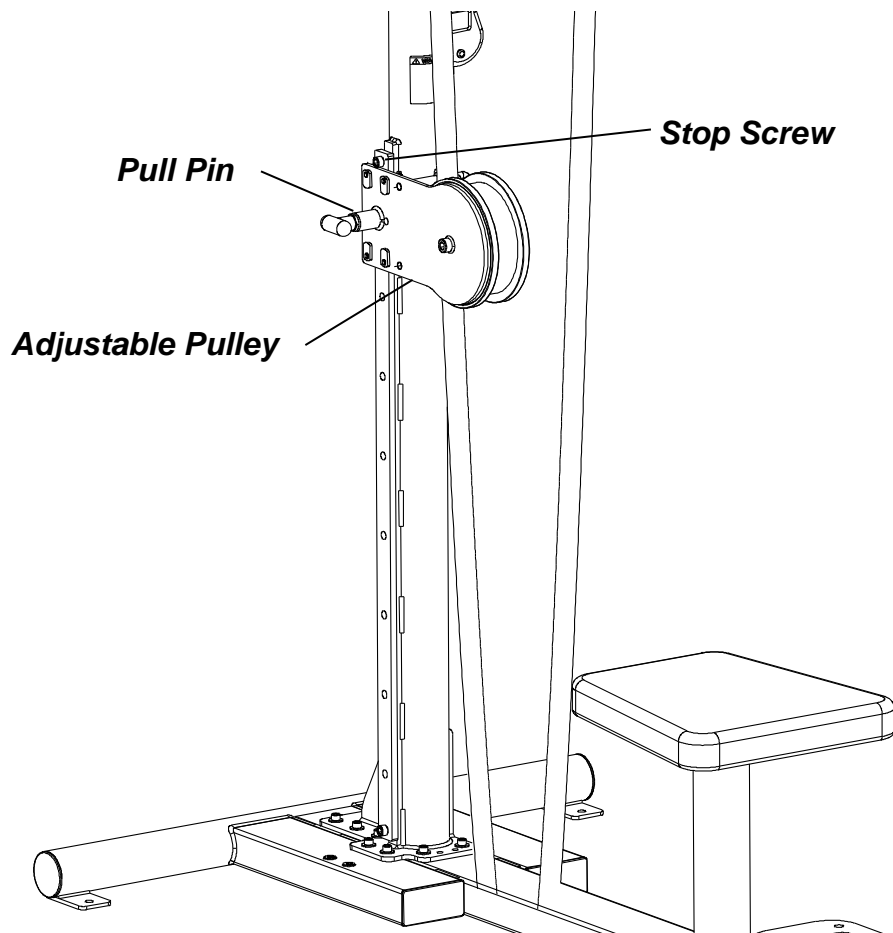
- Socket Head Screw 3/8-16 or 5/16-18

Tools:

- 5/16 Hex Key for 3/8" Socket Head Screws or
- 3/16 or 1/4 Hex Key for 5/16" Button

4-3 Attach Pulley Assembly REV B. to assembly from STEP 3 by sliding it from top of the rail as shown below. Use pull pin to fix pulley in different positions.

4-4 Install "stop screw" as shown and tighten it with an appropriate hex key



Product Assembly – LCD Display (not applicable on Hipervision models)

STEP 5

Parts:

- Assembly from STEP 4
- Display Bracket
- LCD Display

Hardware:

- Button Head Screw 5/16" x 1"
- Washer 5/16"
- Thread Forming #4-20 Screw

Tools:

- 3/16 or 1/4 Hex Key for 5/16" Button Head Screws
- Philips #2 Screw Driver

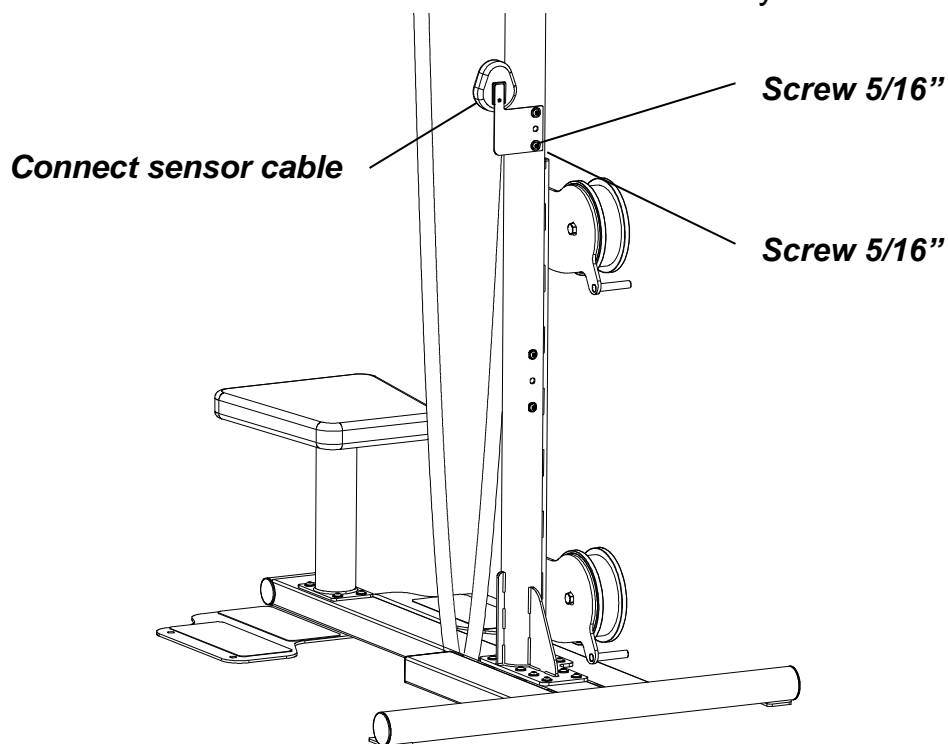
5-1 Attach Display Bracket as shown and tighten hardware (use screws and washers).

5-2 Remove bottom screw from LCD display, mount display on bracket and install Thread Forming #4-20 Screw.



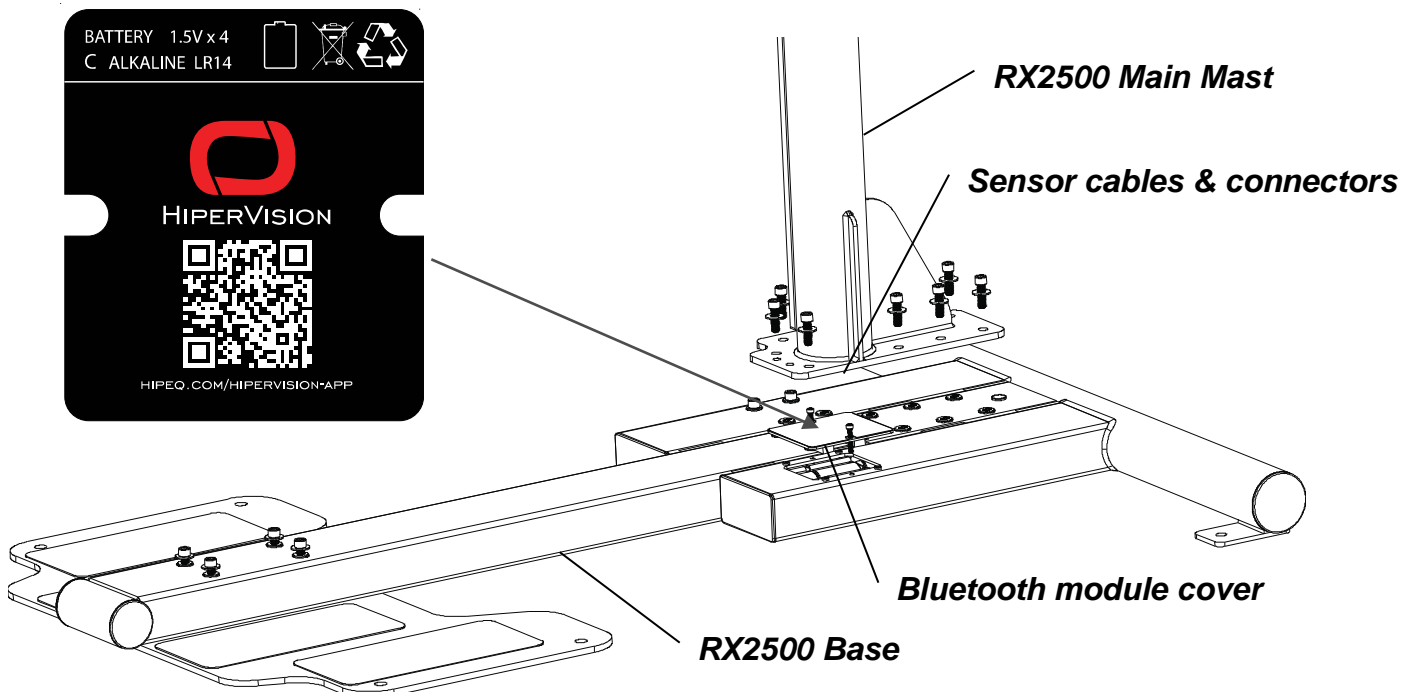
Do not over-tighten screw to avoid stripping newly formed plastic threads

5-3 Attach sensor connector from RX2500 Mast to newly installed LCD Display.



Product Assembly - Hipervision enabled RX2500

If the RX2500 was purchased with the Hipervision Bluetooth module please review the following installation procedures while performing STEP 2 on page 6



Tools:

- 3/16 or 1/4 Hex Key for 5/16" Button Head Screws
- 9/64 Hex key for #8-32 battery cover screws

STEP 2.1

2.1-1 Connect male sensor cable connector to female receptacle on the RX2500 base. Ensure good connection. Electrical tape may be used but is not required to prevent connectors from separating.

2.1-2 Assemble main mast as shown and secure it with screws.

2.1-3 Battery cover is secured by 2 screws. RX2500 ships with batteries preinstalled. Remove cover only to replace batteries.

Equipment Maintenance

WARNING: Routine inspection and maintenance is of critical importance to ensure maximum safety and performance. We use the highest quality materials available, but wear is inevitable. Be advised that dangerous conditions can arise even during a warranty period. A warranty does not negate the owner's responsibility to thoroughly, carefully and daily inspect the machine. Consult your physician before starting your exercise program. For your own safety, do not begin any exercise program without proper instruction.

1. Check Rope

While the machine is not in use carefully inspect the rope for damage and tears. Carefully inspect connection of rope ends and make sure that stitching (threads) are not torn or damaged. Do not use equipment until damaged rope has been replaced.

2. Upholstery

Wipe down after every workout.

Periodically take the time to use a mild soap or mild vinyl upholstery cleaner. Avoid using any abrasive cleaner not intended for use on vinyl.

Keep sharp or pointed objects out of your pockets and clear of all upholstery.

3. Nuts/Bolts/Fasteners

Periodically inspect all nuts and bolts. Tighten if needed. If bolts seem to loosen periodically, use Loctite 242 for a long-term cure.

Go through a re-tightening sequence periodically to ensure that all hardware is properly tensioned.

4. Adjustments / Locking Pins / Tightening Knobs

Check all pieces for signs of visible wear or damage.

Check springs in Snap Links and Pop Pins for proper tension and alignment.

If the spring sticks or has lost its rigidity, replace it immediately.

5. Anti-Skid Surfaces

Replace if they appear worn or become slippery.

7. Warning Instruction Labels

Inspect and familiarize yourself with all safety warnings and other user information on decals. Replace decals if damaged, illegible, or removed.

WARRANTY

We strive to offer the simplest and fastest resolution to all product related concerns. Our warranty service program gives its customers the option to return the product for repair, exchange or refund if the product is determined to be defective.

- All products are warranted to the original purchaser.
- Warranties apply and cover all defects in material and workmanship.

Frame (excluding coating): Lifetime
Rope, Sheaves, Bearings and Labor: One-Year

- Customer is responsible for the cost of shipment to HiPEQ. Company “ship to” address for product returns and service will be provided once the RMA has been issued. It will be at HiPEQ’s discretion to determine the party responsible for cost of shipment back to customer.
- Out-of-Warranty Products are repaired only with the customer’s prior approval.
- 15 Day 100% Satisfaction Guarantee includes full refund of purchase price, less shipping, handling and restocking fee equaling 15% of price during purchase. Email for more details. If you decide to return a HiPEQ product, simply email us within 15 days to ask for a return authorization number (RMA). Items must be returned in original condition and packaging and postmarked no later than 2 weeks after the date of return authorization.

If you have any questions regarding HIPEQ equipment or any instruction found in this document, please call 650.549.5888 for assistance.

HIPEQ