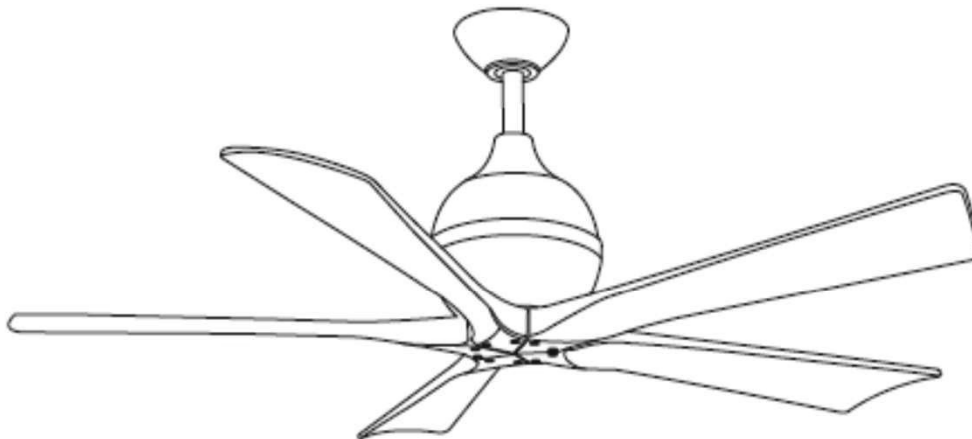
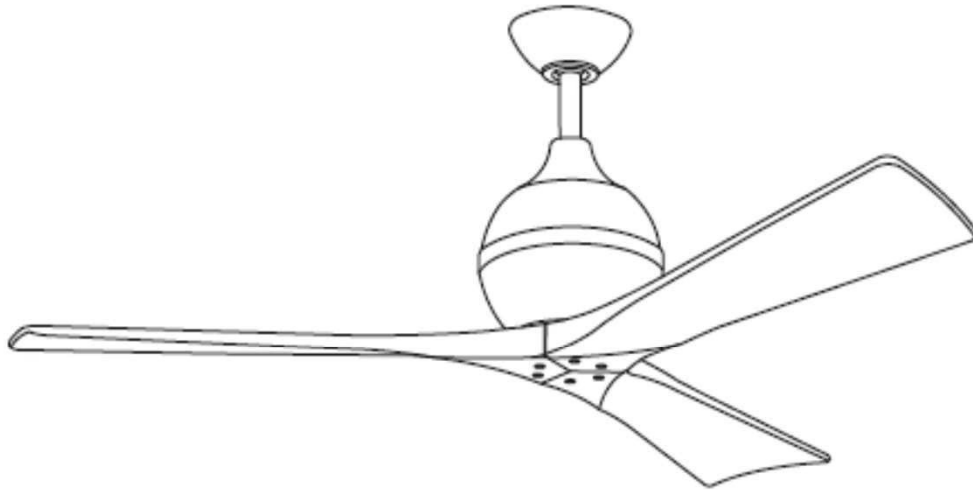




Irene

52" CEILING FAN

READ AND SAVE THESE INSTRUCTIONS



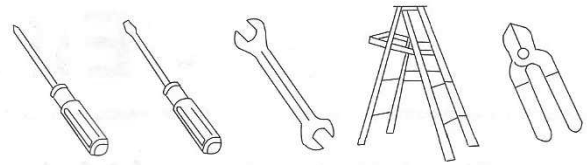
YG432-MG
FAN RATING AC 220-240v~50Hz

Please do not use any electric or battery powered tools in the assembly and installation of this or any Matthews Fan Company product.

TABLE OF CONTENTS

Tools and Materials Required.....	1
Package Contents.....	1
Safety Rules.....	2
Attaching the Fan Blades.....	3
Hanging the Fan.....	3
Making the Electrical Connections.....	5
Programming Your fan and Operating the Remote Control.....	6
Operating Your Fan.....	7
Care of Your Fan.....	7
Troubleshooting.....	8
Warranty.....	9

1. TOOLS AND MATERIALS REQUIRED

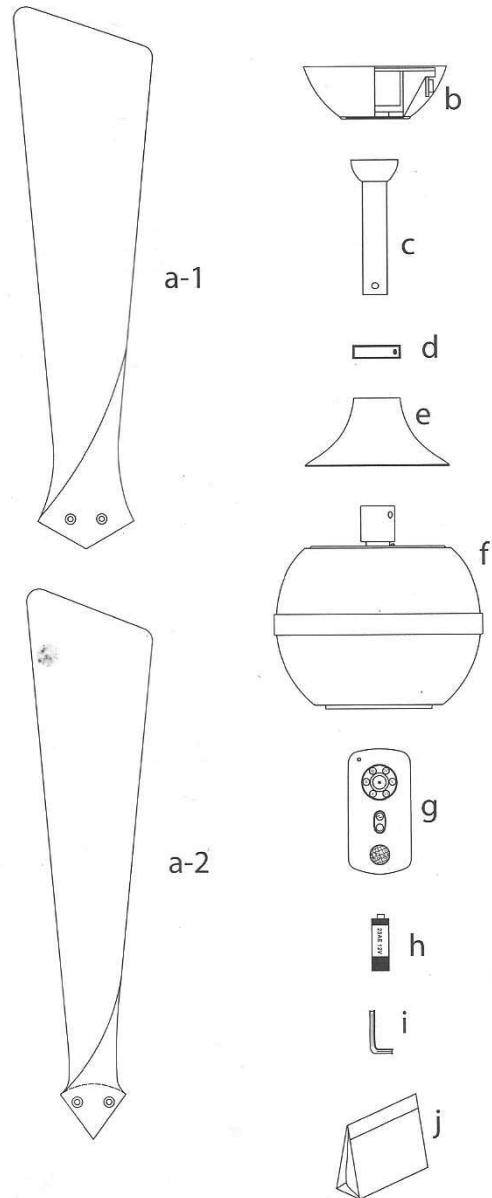


- Philips screwdriver
- Blade screwdriver
- 11mm wrench
- Step ladder
- Wire cutters

2. PACKAGE CONTENTS

Unpack your fan and check the contents.
You should have the following items:

- a-1. Blade set (3) (for Irene-3)
- a-2. Blade set (5) (for Irene-5)
- b. Hanger bracket assembly
- c. Ball/down rod assembly
- d. Secure ring
- e. Coupling cover
- f. Fan motor assembly
- g. Transmitter+holder+2 mounting screws
- h. 23A/12V battery
- i. Package hardware
 - 1) Mounting hardware:
wood screws (2), screws (2),
lock washers (2), washers (2),
star washers (2), wire nuts (3)
 - 2) Blade attachment hardware:
screws (11), washers (11)



3. SAFETY RULES

READ AND SAVE THESE SAFETY AND INSTALLATION INSTRUCTIONS.

1. High voltage and moving parts around motors and motor driven equipment can cause serious or fatal injuries. Always disconnect power source at the main switch before any wiring, servicing or cleaning of the unit. Do not rely on the fan control device to prevent unexpected start-up or electrical shock. In addition, power supply must have fuses or circuit breakers for short circuit protection.
2. All wiring must be in accordance with the AS/NZS 3000 wiring rules. Electrical installation should be performed by a qualified licensed electrician.
3. **WARNING:** To reduce the risk of electrical shock and fire, do not use this fan with any solid-state fan speed control device.
4. **CAUTION:** to reduce the risk of injury to persons, install the fan so that the bottom edges of the fan blades are at least a minimum of 2.1m above the floor.
5. To operate the reverse function on this fan, press the reverse button while the fan is running.
6. Avoid placing objects in the path of the blades.
7. To avoid personal injury or damage to the fan and other items, be cautious when working around or cleaning the fan.
8. Do not use water or detergents when cleaning the fan or fan blades. A dry dust cloth or lightly dampened cloth will be suitable for most cleaning.
9. Electrical diagrams are reference only.
10. This Appliance is not intended for use by persons (including children) with reduced physical, sensory or mental capabilities, or lack of experience and knowledge, unless they have been given supervision or instruction concerning use of the appliance by a person responsible for their safety. Children should be supervised to ensure that they do not play with the appliance.

WARNING

TO REDUCE THE RISK OF PERSONAL INJURY, DO NOT BEND THE BLADE BRACKETS (ALSO REFERRED TO AS FLANGES) DURING ASSEMBLY OR AFTER INSTALLATION. DO NOT INSERT OBJECTS IN THE PATH OF THE BLADES

4. ATTACHING THE FAN BLADES

1. Fasten a blade to the motor using the screws supplied. (Fig. 5)
2. Repeat the process with the other blades. Tighten each screw and make sure the blade is straight.

NOTE: This fan is supplied with two types of blades installation. Follow the steps below to install your fan blades properly

The inner holes are for 3 blades (for Irene-3)
The outer holes are for 5 blades (for Irene-5)

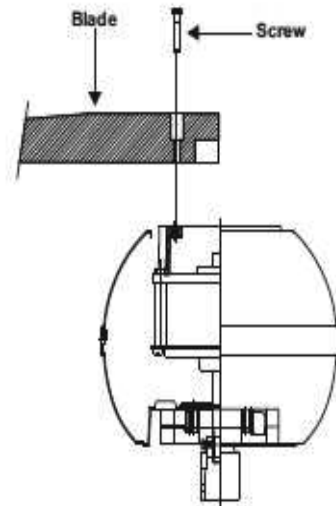


Figure 5

5. HANGING THE FAN

Before touching a screw driver, thoroughly read these instructions.

Warning/Caution: Before installing the fan, turn off the power at the service panel and check all visible screws and bolts for tightness.

1. Remove the Canopy cover from the Ceiling canopy by turning the cover counter clockwise. (Fig. 6)
2. Remove the hanger bracket from the canopy by removing the 1 of 2 screws from the bottom of the hanger bracket and loosening the other one half a turn from the screw head. Next, turn the canopy counter clockwise to remove the hanger bracket from the canopy. (Fig. 6)
3. Secure the hanger bracket to the ceiling using the screws and washers included. (Fig. 7)
4. Remove the hanger ball from the down rod assembly by loosening the set screws, removing the cross pin and sliding the ball off the rod. (Fig.8)

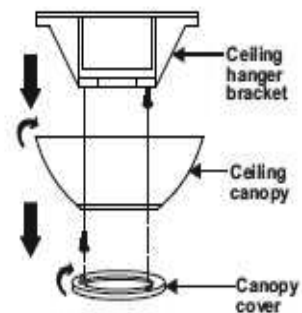
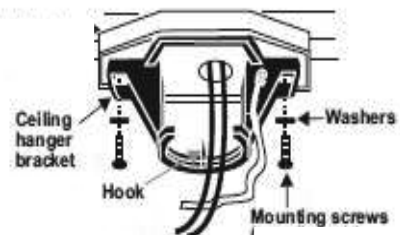


Figure 6



220-240V Wires

Figure 7

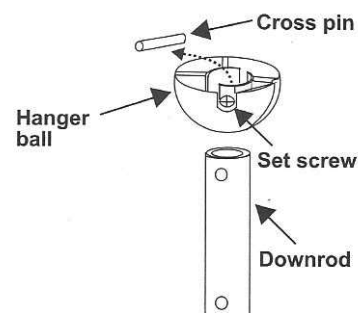


Figure 8

5. Loosen the two set screws and remove the hitch pin and lock pin from the central shaft/top coupling of the motor assembly. Doing so will allow the down rod to enter the central shaft. (Fig.9)
6. Carefully feed the fan wires through the down rod and pull them taught. Place the down rod into the central shaft and tighten with the lock pin and hitch pin previously removed, re-tighten the set screws against the downrod.
7. Slide the coupling cover (with wide end oriented to the floor) down the down rod.
8. Slide down the secure ring, and fasten using the Allen wrench provided.
9. Slide canopy cover (with decorative side oriented to the floor) and canopy (with wide end oriented to the ceiling) onto the down rod. Carefully reinstall the hanger ball onto the rod. Be sure that the cross pin is in the correct position, the set screw on the hanger ball is tight and that the wires are not twisted.
10. Now lift the motor assembly (fan with blades) into position and place the hanger ball into the hanger bracket. Rotate the down rod until the "Check Tab" has dropped into the "Registration Slot" and the down rod and ball assembly seat firmly. The down rod and ball assembly should not rotate if this is done correctly. (Fig.10)

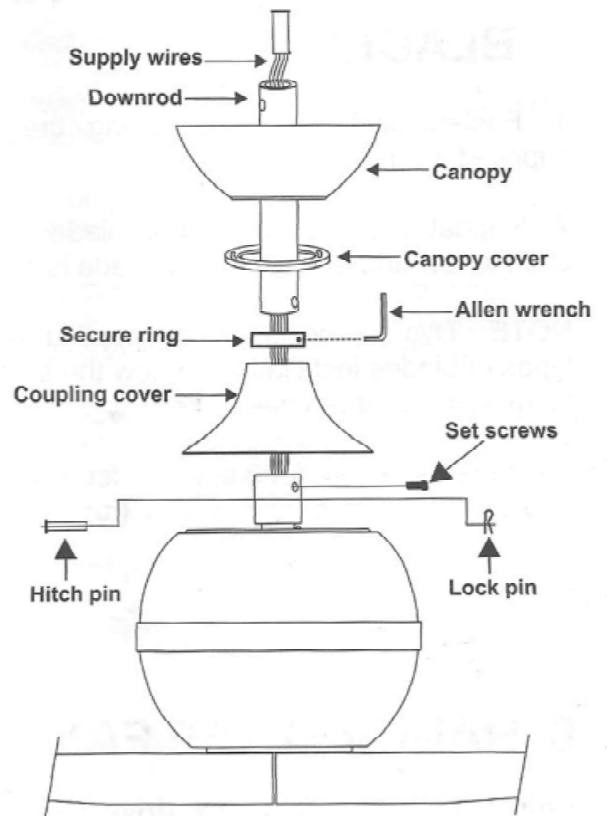


Figure 9

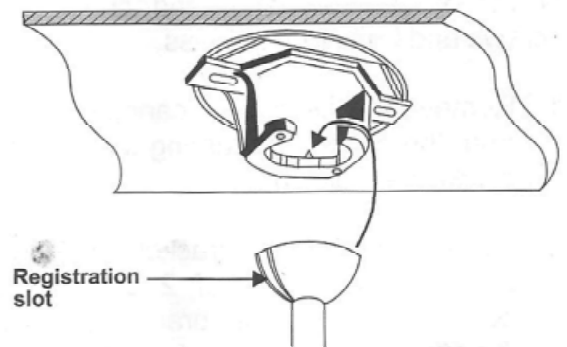


Figure 10

6. MAKING THE ELECTRICAL CONNECTIONS

WARNING: The power should have already been disconnected. Follow the steps below to connect the fan to your household wiring. Loosen the screws on the terminal block, insert the wire to each terminal block and re-tighten the screws loosened previously, Make sure there are no loose strands or connections.

1. Connect the green/ground wire from the downrod ball to the terminal lock. (Fig.11)
2. Be sure to snap together the male and female plugs. (Fig.12)
3. Connect the blue/ household wire to the terminal block "N" hole. Connect the brown/ household wire to the terminal block "L" hole. (Fig. 12)
4. After connecting the wires, spread them apart so that the green/ground and blue/neutral wires are on one side of the hanger bracket, and the live, brown and the black wires are on the other side of the hanger bracket.
5. Slide the canopy up to the hanger bracket and place the key hole on the canopy cover over the screw on the hanger bracket, Turn the canopy until it locks in place at the narrow section of the key holes. Note: adjust the canopy screws as necessary until the canopy and canopy cover are snug. (Fig.13)

WARNING: Make sure the tab at the bottom of the hanger bracket is properly seated in the groove of the hanger ball before attaching the canopy to the bracket. Failure to properly seat the tab in the groove could cause damage to the electrical wiring.

WARNING: Ensure you install a means of electrical disconnection in both poles into your fixed wiring in accordance with the electrical wiring rules.

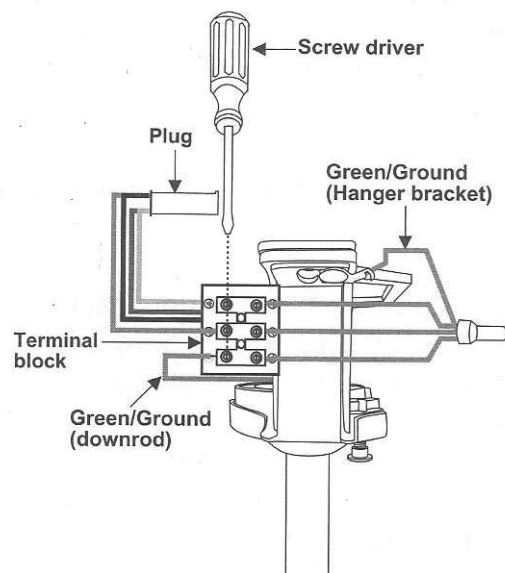


Figure 11

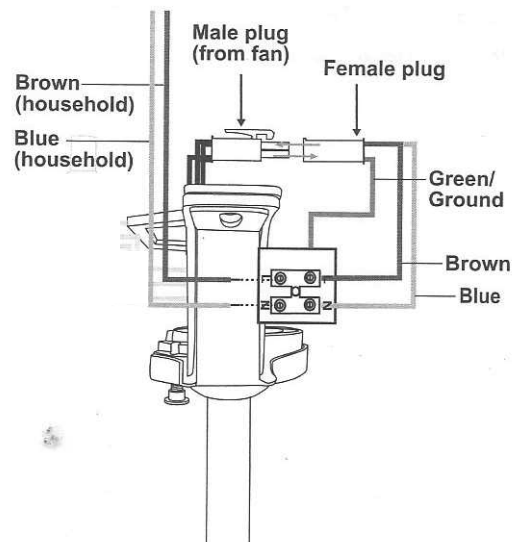


Figure 12

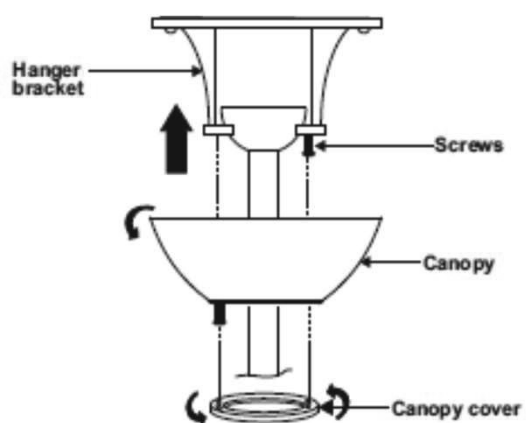


Figure 13

7. PROGRAMMING YOUR FAN AND OPERATING THE REMOTE CONTROL

Your DC brushless motor is equipped with an automatically learned type remote control.

Install one 23A/12V battery (included). To prevent damage to the transmitter. Remove the battery if not used for long periods of time. (Fig.15)

Restore power to the ceiling fan and test for proper operation.

A. SET code setting button:

Follow the steps below to use the SET button:

- With the fan's power off, arrange code switches to the desired setting. If installing only one fan, the factory setting is usually acceptable.
- After installing the unit and restoring power to the fan, press and hold the "SET" button 1-5 seconds. You must press the "SET" button within 60 seconds of restoring power to the fan.

c) The fan will start to run and begin the control setting process. The fan will run in both directions for a total of approximately 5 minutes.

- When the fan stops after approximately 5 minutes, the control and speed setting process is complete and the fan is ready for use.

IMPORTANT NOTE: If installing multiple fans in one location, ensure each fan has its own unique setting. Also ensure there is only power going to the fan being set, and power to any other fan must be turned off during initial programming set up.

The receiver provides the following protective function:

- 1. Lock position:** The DC motor has a built-in safety against obstruction during operation. If there is an obstruction, the motor will stop and then the power will automatically go off in 30 seconds. Remove the obstruction and reset.
- 2. Over 80W protection:** When the receiver detects motor power consumption which is greater than 80W, the receiver's power will be stopped and operation will immediately discontinue. Wait for 5 seconds and then turn the receiver power back on.

B. I, II, III, IV, V and VI button:

These six buttons are used to set the fan speed as follows:

- I = minimum speed
- II = low speed
- III = medium low speed
- IV = medium speed
- V = medium high speed
- VI = high speed

C. ■ Button:

This button turns the fan off.

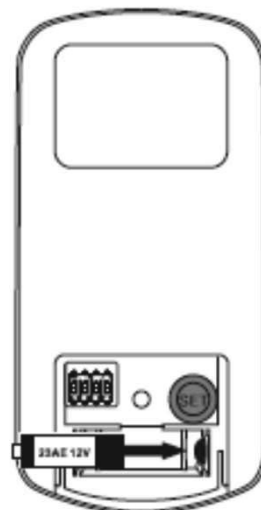


Figure 15

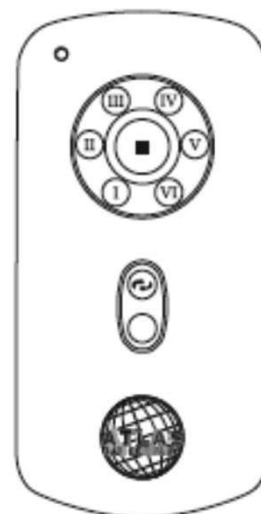


Figure 16

ReDe Button:

This button is to control fan direction

8. OPERATING YOUR FAN

Speed settings for warm or cool weather depend on factors such as the room size, ceiling height, number of fans and so on.

NOTE: To operate the reverse function on this fan, press the reverse button while the fan is running.

Warm weather – (Forward) A downward airflow creates a cooling effect as shown in Fig. 17. this allows you to set your air conditioner on a warmer setting without affecting your comfort.

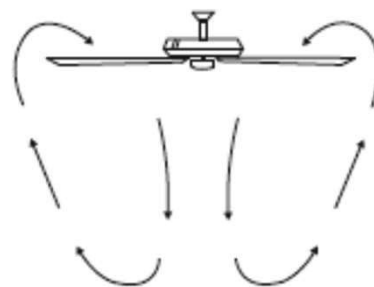


Figure 17

Cool weather – (Reverse) An upward airflow moves warm air off the ceiling area as shown in Fig. 18. This allows you to set your heating unit on a cooler setting without affecting your comfort.

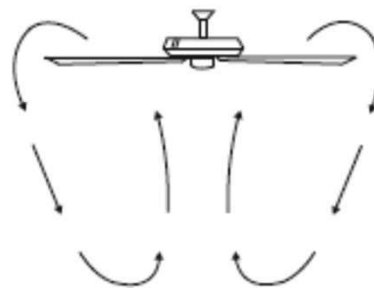


Figure 18

9. CARE OF YOUR FAN

Here are some suggestions to help you maintain your fan:

1. Because of the fan's natural movement, some connections may become loose. Check the support connections, brackets, and blade attachments twice a year. Make sure they are secure. (It is not necessary to remove the fan from the ceiling).
2. Clean your fan periodically to help maintain its new appearance over the years. Use only a soft brush or lint-free cloth to avoid scratching the finish. The plating is sealed with a lacquer to minimise discoloration or tarnishing. Do not use water when cleaning. This could damage the motor, or the wood, or possibly cause an electrical shock.
3. You can apply a light coat of furniture polish to the wood blades for additional protection and enhanced beauty. Cover small scratches with a light application of shoe polish.
4. There is no need to oil your fan. The motor has been permanently lubricated bearings.

IMPORTANT: MAKE SURE THE POWER IS OFF AT THE ELECTRICAL PANEL BOX BEFORE YOU ATTEMPT ANY REPAIRS. REFER TO THE SECTION "MAKING ELECTRICAL CONNECTIONS".

10. TROUBLESHOOTING

Problem Solution

- | | |
|-----------------------------------------|----------------------------------------------------------------------------------------------------------------------------------------------------------------------------------------------------------------------------------------------------------------------------------------------------------------------------------------------------------------------------------------------------------------------------------------------------------------------------------------------------------------------------------------------------------------------------------------------------------------------------------------------------------------------------------------------------------------------------------------------------------------------------------------------------------------------------------------------------------------------------------------|
| Fan will not start | <ol style="list-style-type: none">1. Check circuit fuses or breakers2. Check line wire connections to the fan and switch wire connections in the switch housing. CAUTION: Make sure main power is off.3. Check that the battery of the remote is functional.4. Re-do steps for programming on page 6. |
| Fan sounds noisy | <ol style="list-style-type: none">1. Make sure all motor housings screws are tight.2. Make sure the screws that attach the fan blade bracket to the motor hub is tight.3. Make sure wire nut connections are not rubbing against each other or the interior wall of the switch housing. CAUTION: Make sure main power is off.4. Allow a 24-hour “breaking-in” period. Most noise associated with a new fan disappear during this time.5. If using an optional light kit, make sure the screws securing the light plate are tight.6. Some fan motors are sensitive to signals from solid-state variable speed controls. If you have installed this type of control, choose and install another type of control.7. Make sure the upper canopy is a short distance from the ceiling. It should not touch the ceiling. |
| Remote control malfunction | <ol style="list-style-type: none">1. Do not connect the fan with a wall mounted variable speed control(s).2. Make sure the dip switches are set correctly. |
| Fan wobble | <ol style="list-style-type: none">1. Check that all blade and blade arm screws are secure.2. Most fan wobbling problems are caused when blade levels are unequal. Check this level by selecting a point on the ceiling above the tip of one of the blades. Measure this distance. Rotate the fan until the next blade is positioned for measurement. Repeat for each blade. The distance deviation should be equal within 1/8”.3. If the blade wobble is still noticeable, interchanging two adjacent (side by side) blades can redistribute the weight and possibly result in smoother operation. <p>WARNING: TO REDUCE THE RISK OF PERSONAL INJURY. DO NOT BEND THE BLADE ARM WHILE INSTALLING, BALANCING THE BLADES, OR CLEANING THE FAN. DO NOT INSERT FOREIGN OBJECTS BETWEEN ROTATING FAN BLADES.</p> |
| Fan has jerky movement | <ol style="list-style-type: none">1. Turn the AC power off to fan, and re-do steps for programming on page 6. |
| Fan has lost its programming repeatedly | <ol style="list-style-type: none">1. Turn the AC power off to a fan, and re-do steps for programming on page 6.2. Do not turn off fan from wall switch. Use only remote to regulate fan. |

Manufacturer's Warranty – Australia

“Our goods come with guarantees that cannot be excluded under the Australian Consumer Law. You are entitled to a replacement or refund for a major failure and for compensation for any other reasonably foreseeable loss or damage. You are also entitled to have the goods repaired or replaced if the goods fail to be of acceptable quality and the failure does not amount to a major failure.”

For the purpose of the above paragraph specific definitions for major failure are given in the ACL Act 2010. Atlas considers major failure to be when the original, unopened and new package is missing contents, contents are damaged or defective, or the fan, light, wall or remote control does not operate when initially installed.

MOTOR:

The Atlas Fan Company (Atlas) warrants to the original consumer purchaser of each Atlas Fan ("You"), that if any part of the motor, excluding the wall controls, remote controls or pull cord mechanisms ("Controls") fails due to a defect in material or workmanship ("Defect") during your lifetime while the Atlas Fan is still installed in the exact location in which it was originally installed following the original purchase, then Atlas will provide a replacement part to you free of charge.

If any part of the motor in your Atlas Fan fails due to a defect in material or workmanship ("Defect") within 12 months after the original date of purchase by you, while the fan is still installed in the exact location in which it was originally installed, and you report this defect to Atlas immediately, Atlas will provide the necessary labour to repair the defect free of charge.

If any part of the motor excluding the wall controls or remote controls ("Controls") in your Atlas Fan fails due to a defect in material or workmanship ("Defect") more than 12 months after the original date of purchase by you, while the fan is still installed in the exact location in which it was originally installed, Atlas will provide the necessary parts only free of charge to repair the defect. You will be responsible for all labour costs incurred in repairing the defect.

CONTROLS:

If the wall control fails at any time within 12 months after the original date of purchase due to a defect, Atlas will provide the necessary parts and labour to repair the defect free of charge.

If the remote control fails at any time within 12 months after the original date of purchase due to a defect, Atlas will provide the necessary parts to repair the defect free of charge ("D.I.Y. installation"). **NB:** Remote controls are not part of the fan, instead being a separately connected accessory device. The remote control receiver is often fitted into the fan mounting bracket for convenience but is not an integral part of the fan and not covered by the warranty provisions of the fan itself. Resetting/Changing of DIP switches in remote controls is not covered by warranty and a service call fee WILL apply. Batteries (if supplied), are done so as a complimentary (free) item only and are not covered by warranty.

LIGHTS:

Light Globes, (if supplied), are done so as a complimentary (free) item only and not covered by warranty.

NOTES:

- Ceiling fans and fixed wiring products **MUST ONLY** be installed by qualified and suitably licensed person/s. *A copy of your proof of qualified installation is required when claiming a warranty. (Electrical Safety Certificate)*
- Warranty periods begin from the date of purchase only. *A copy of your proof of purchase is required when claiming a warranty.*
- When products are installed in a location requiring special access equipment (scaffolding, scissor lifts etc) the cost of providing, installing and operating special access equipment must be borne by the site owner. The need for, or use of such equipment must be stated when discussing a service call. Charges will be levied by Atlas to arrange special access equipment, and these must be paid in advance.
- If goods are found to be free of defects or the product is not functioning properly as a result of faulty installation then Atlas reserves the right to charge the customer a service fee.

Please discuss your needs with a sales professional who knows your local area and select your fan carefully. Proper performance relies on the right fan being correctly installed in the optimum location. If your fans that do not perform as expected though which are not faulty, you must refer to the retailer you bought the fan from, Atlas cannot replace or exchange under warranty.

IN-HOME (ON-SITE) WARRANTY?

The Atlas 12 month in-home warranty covers Atlas ceiling fans installed within the coverage of our network of service agents in cases where the product fails due to defective materials or workmanship. This warranty does not cover installation faults, house wiring faults, loose blades or fittings or damage of any kind. Claims regarding corrosion damage are subject to case by case appraisal. In areas outside coverage of the Atlas service agents, Atlas will reimburse consumers a standard fee of \$82.50 (inc. GST) for using their own electrician. All service requests must be arranged with the warranty department before calling your electrician. Under no circumstances will reimbursement be made for call-out fees or other costs without prior approval. When installed as recommended by Atlas (using an isolation switch) a fan or remote control can be switched off at the wall in case of a fault. If the product cannot be turned off because an isolation switch is not fitted, any electrical costs involved in disconnecting the product while awaiting warranty service are to be borne solely by the consumer.

PARTS ONLY WARRANTY?

Atlas will supply parts only, shipped directly to the consumer. Please note the labour associated with installation of these parts, or associated electrical costs of removing and reinstalling the product to affect a repair is borne by the consumer.

WHERE THE WARRANTIES WILL APPLY

These warranties will only apply when:

- The fan was purchased and installed in Australia.
- You notify Atlas of the alleged defect in the Atlas fan, its motor or its component parts immediately upon you experiencing, noticing or learning of the alleged defect; You provide to Atlas a copy of your 'Proof of Purchase' (Sales receipt) verifying when and from whom the Atlas fan was purchased and a copy of your 'Proof of Qualified Installation' (Electrical Safety Certificate) verifying when and by whom the Atlas fan was installed.

IMPLIED WARRANTY

All rights, warranties, conditions and remedies implied by legislation or the common law that are able to be lawfully excluded in respect of Your Atlas fan are excluded. However nothing in this clause or the manufacturer's warranties exclude, restrict or modify any condition, warranty, right or remedy, which is conferred on You by the ACL Act 2010 or any other applicable Australian consumer legislation ('Acts') or the common law and which is not lawfully able to be excluded, restricted or modified.

LIMITATION OF WARRANTIES

In addition to any limitations set out above, the warranties are limited to, at Atlas's sole option, the replacement of the Atlas fan or defective part or the supply of an equivalent product or part; the repair of the Atlas fan or defective part or the payment of the cost of having the Atlas fan or defective part repaired; or the payment of the purchase price of a replacement Atlas fan or defective part or an equivalent product or part.

Where Atlas or its authorised agents provide any services to you under or pursuant to the manufacturer's warranties, the application of the manufacturer's warranties to such services is limited, at Atlas's sole option, to the supplying of those services again, or the payment of the cost of having those services supplied again.

WHERE THE WARRANTY WILL NOT APPLY

The warranties above are void and Atlas disclaims any liability of whatsoever any nature where:

- The Atlas fan is not purchased by you in Australia and installed in Australia;
- The Atlas fan is not installed correctly in accordance with Atlas's installation guide, or is installed in an unsuitable location;
- The Atlas fan is removed from the particular location in which it was originally installed following the original purchase, except where that removal:
 - is expressly authorised by Atlas or Atlas's authorised agent; and
 - does not cause, contribute to or result in, any further Defects to the Atlas fan or any of its component parts or other parts; or
- The Defect is caused by:
 - the improper, incorrect or incomplete installation;
 - the improper or incorrect use or adjustment of the Atlas fan by you or any third party;
 - any attempted or completed maintenance, repair or modification carried out on the Atlas fan or its component parts or other parts by you or any unauthorized third party;
 - the direct or indirect acts of you or any third party;
 - normal wear and tear to the Atlas fan or any of its parts;
 - faulty or unsuitable wiring in the structure to which the Atlas fan is fixed or connected;
 - inadequate support in the structure to which the Atlas fan is fixed or connected;
 - blown fuses or damage caused by force-majeure, electrical surges, lightning, power grid fluctuations, or by connection to alternative power supply sources (such as solar inverters etc) or
 - water damage and or moisture.

Note: Signals sent through the power grid by the electricity supplier for the control of off peak hot water, street lights and other devices may cause an intermittent humming noise in your electrical appliances such as your ceiling fan. Filters are available in Australia at the customer's expense. These noises do not occur as a result of a faulty fan.

CONSEQUENTIAL OR INCIDENTAL DAMAGES

In no event shall Atlas be liable under its warranties for any consequential, incidental, direct or indirect loss, expense or damage suffered by you or any third party arising from or in relation to the Atlas fan, any of its Component Parts or other parts or any Defect.

Atlas will not be liable for any expenses incurred by you in making a claim under these express warranties, including without limitation, expenses incurred in disconnecting, reinstalling, transporting or packaging the Atlas fan where it, a Component Part or other part is to be repaired or replaced under any of these express warranties.

FOR ADDITIONAL INFORMATION REFER TO THE OWNER'S MANUAL PROVIDED WITH YOUR ATLAS FAN

TO MAKE A WARRANTY CLAIM:

To make a warranty claim, you must supply Prestige Fans with a copy of your proof of purchase, together with a copy of your proof of qualified installation (Installers invoice or electrical safety certificate). You must also explain exactly what the nature of the problem is, the address at which the fan is installed, the room in which the fan is installed, the type of wall or remote control being used, as well as any light globes used in attached light kits. You must also supply your name, address and contact phone numbers, and your claim will be dealt with.

Australian Agent:

Prestige Fans Pty Ltd

PO Box 5050 Ringwood VIC 3134

~~03~~ 9876 8287 (Extension 2)

~~03~~ 9876 8282

Email: service@prestigefans.com.au