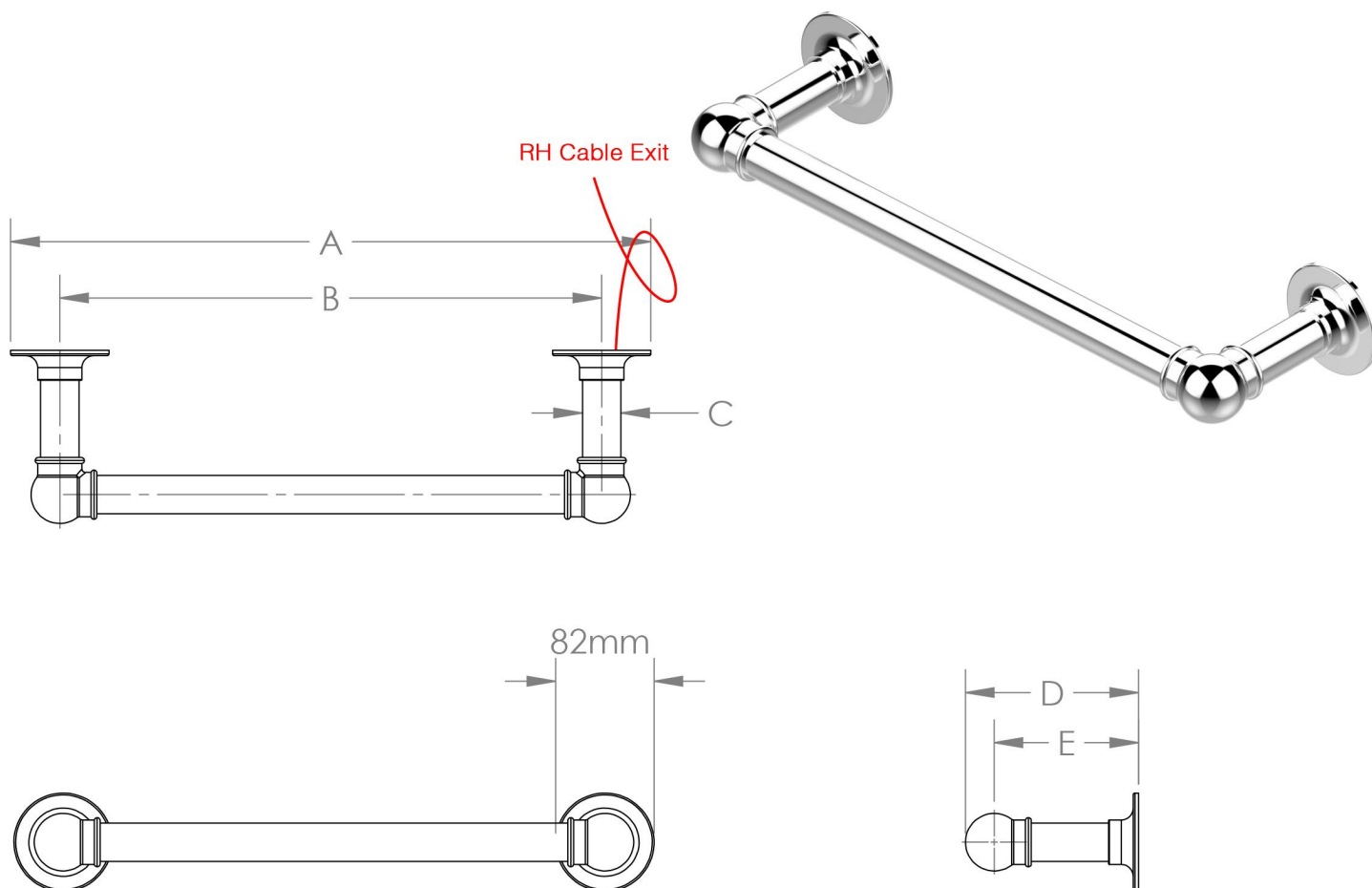


THE STERLINGHAM CO. LTD.

Single Rail Order Guide

CODE: WOLL - 1 - E - WIDTH - DEPTH - FINISH

- MACHINED FROM HIGH QUALITY BRASS
- INNOVATIVE DRY LINE CABLE USED
- LOW ENERGY ELECTRIC
- NO PLUMBING REQUIRED
- 100% GUARANTEE NOT TO LEAK



CHOOSE FROM FINISHES: UN-LACQUERED BRASS (UB) BRUSHED BRASS (BB) POLISHED CHROME (CP) POLISHED NICKEL (NP) BRUSHED NICKEL (BN)
 POLISHED GOLD (GP) ANTIQUE GOLD (AG) GUN METAL (GM)
 LIGHT / MEDIUM / DARK BRONZE (L / M / D)B LIGHT / MEDIUM / DARK ANTIQUE BRONZE (L / M / D)AB
POWDER COAT: MATT WHITE MATT BLACK

A: _____ mm (minimum: 500mm, maximum: 1000mm)
 B: _____ mm (only A or B to be filled in)
 C: 32mm mm (32mm tube ONLY)
 D: _____ mm (minimum: 110mm)
 E: E = D minus 24mm mm

FOR INSTALLATION ONLY
 (TO FIND CENTER - CENTER)

A minus 82mm

VOLTAGE: 12V 24V 230V OTHER: _____ VOLTS

CABLE EXIT: LEFT / RIGHT

BACK PLATE: CONCEALED / EXPOSED

FINISH: _____

THIS FORM MUST BE FULLY COMPLETE AND SUBMITTED TO A REGISTERED RETAILER. IT IS THE RESPONSIBILITY OF THE RETAILER TO ENSURE ALL INFORMATION IS PROVIDED ON THE FORM; INCOMPLETE FORMS MAY RESULT IN DELAYS TO ORDER PROCESSING.