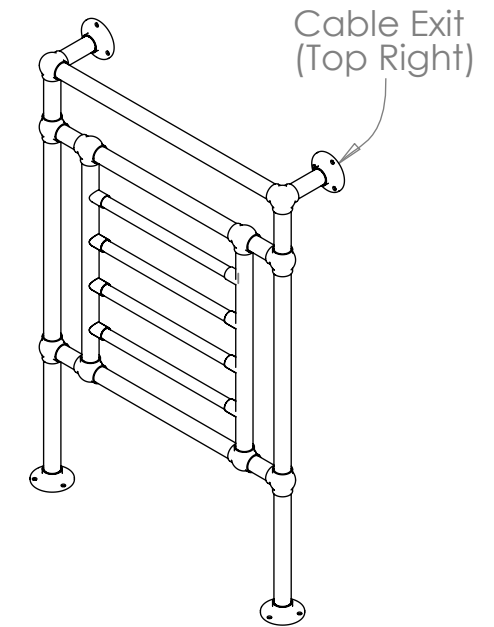


<b>SUITEART 7 RAIL</b>	
<b>SUIT-7-E-980-685-XX</b>	
13 July 2023	
<b>UB - UNLACQUERED BRASS</b>	<b>BB - BRUSHED BRASS</b>
<b>CP - POLISHED CHROME</b>	<b>BC - BRUSHED CHROME</b>
<b>NP - POLISHED NICKEL</b>	<b>BN - BRUSHED NICKEL</b>
<b>LB - LIGHT ANTIQUE BRONZE</b>	<b>LAB - LIGHT ANTIQUE BRONZE</b>
<b>MB - MEDIUM BRONZE</b>	<b>MAB - MEDIUM ANTIQUE BRONZE</b>
<b>DB - DARK BRONZE</b>	<b>DAB - DARK ANTIQUE BRONZE</b>
<b>GP - GOLD PLATED</b>	<b>BG - BRUSHED GOLD</b>
<b>GM - GUN METAL</b>	<b>AG - ANTIQUE GOLD</b>
<b>MWP - MATT WHITE P.COAT</b>	<b>MBP - MATT BLACK P.COAT</b>



**THE STERLINGHAM<sup>CO.</sup><sub>LTD.</sub>**

SCALE: 1:9 | APPROX WEIGHT 7.66KG

MANUFACTURED FROM BRASS

Units 2 & 2A Stamford Street  
Amblecote, Stourbridge,  
Worcestershire  
England, DY8 4HR

Telephone : 01384 370901  
Fax : 01384 880159  
sales@sterlingham.co.uk  
USsales@sterlingham.co.uk  
www.sterlingham.co.uk



Handmade  
*in the heart of*  
BRITAIN