

## Features

- Cool white LED Light with Dimmable touch control
- Mirrored interior with 3 layer adjustable glass shelves
- Includes Defogger with push button
- Includes one outlet without USB port
- Includes an adjustable makeup mirror
- Includes installation hardware for recess mounting
- Can be recessed or surface mounted  
(surface mounting is included )
- Energy efficient LED lighting:

|                 |      |
|-----------------|------|
| Kelvin          | 6500 |
| CRI             | 80+  |
| Lumens*†        | 1620 |
| R9 Value*       | 50+  |
| Watts (AC)      | 60   |
| Lumens per Watt | 90   |

## Construction

- Grey aluminum body and door frame
- 3 mirror design – rear of cabinet and both sides of door
- Concealed finger pull-door edge
- Two pieces DTC self-closing hinges for each door  
Both side door open 155° , middle door open 90°
- Adjustable shelving at 3-1/7" (80 mm) increments
- Single field wire into electrical shelf - Front access serviceability

## Codes/Standards Applicable

Electric Option Models are ETL certified to:

- UL 962
- CSA Standard C22.2 No. 68

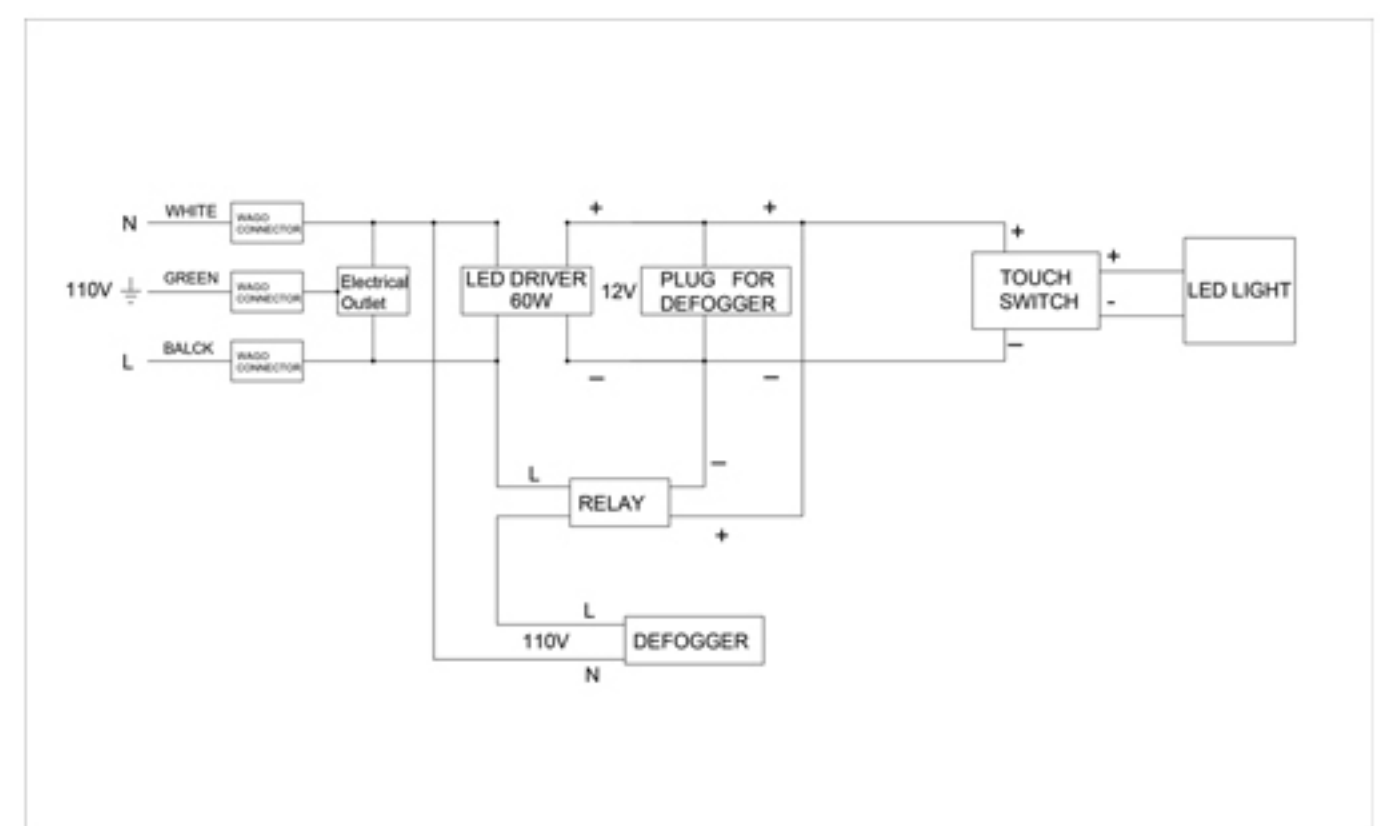
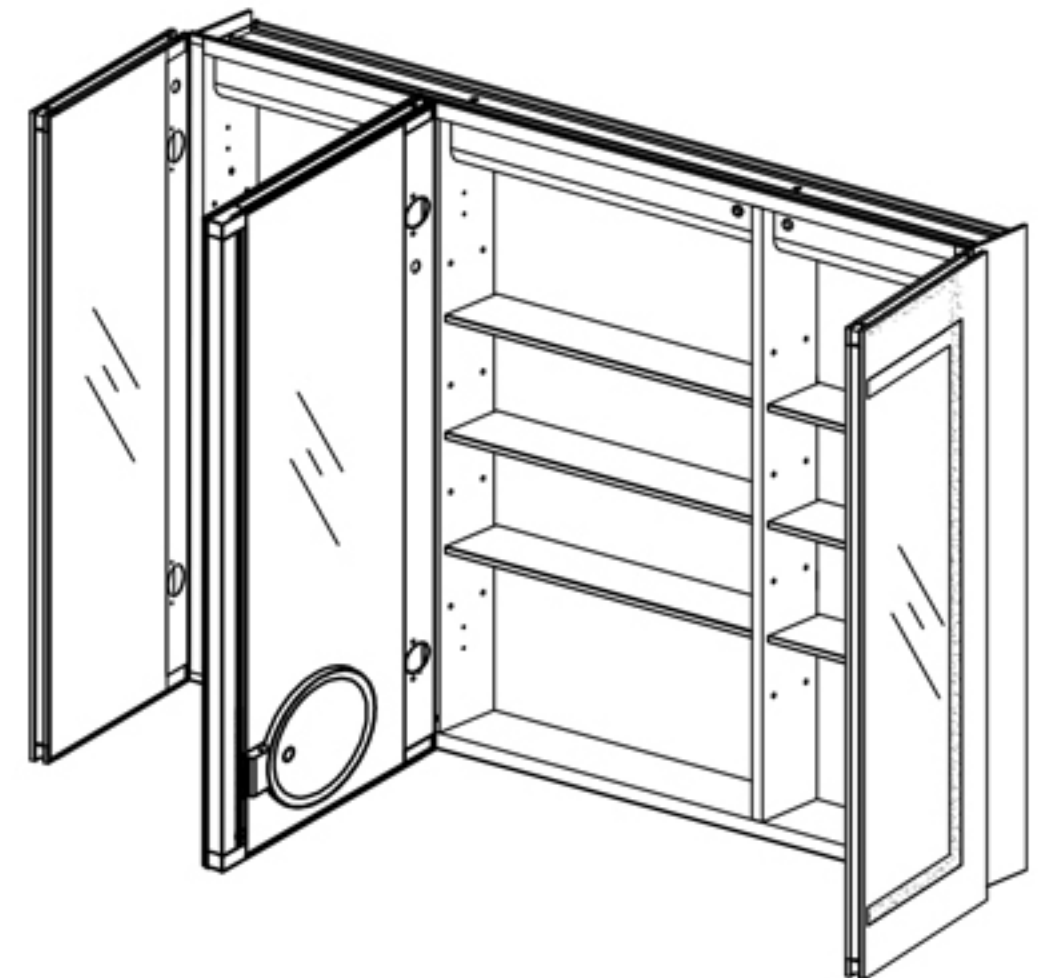
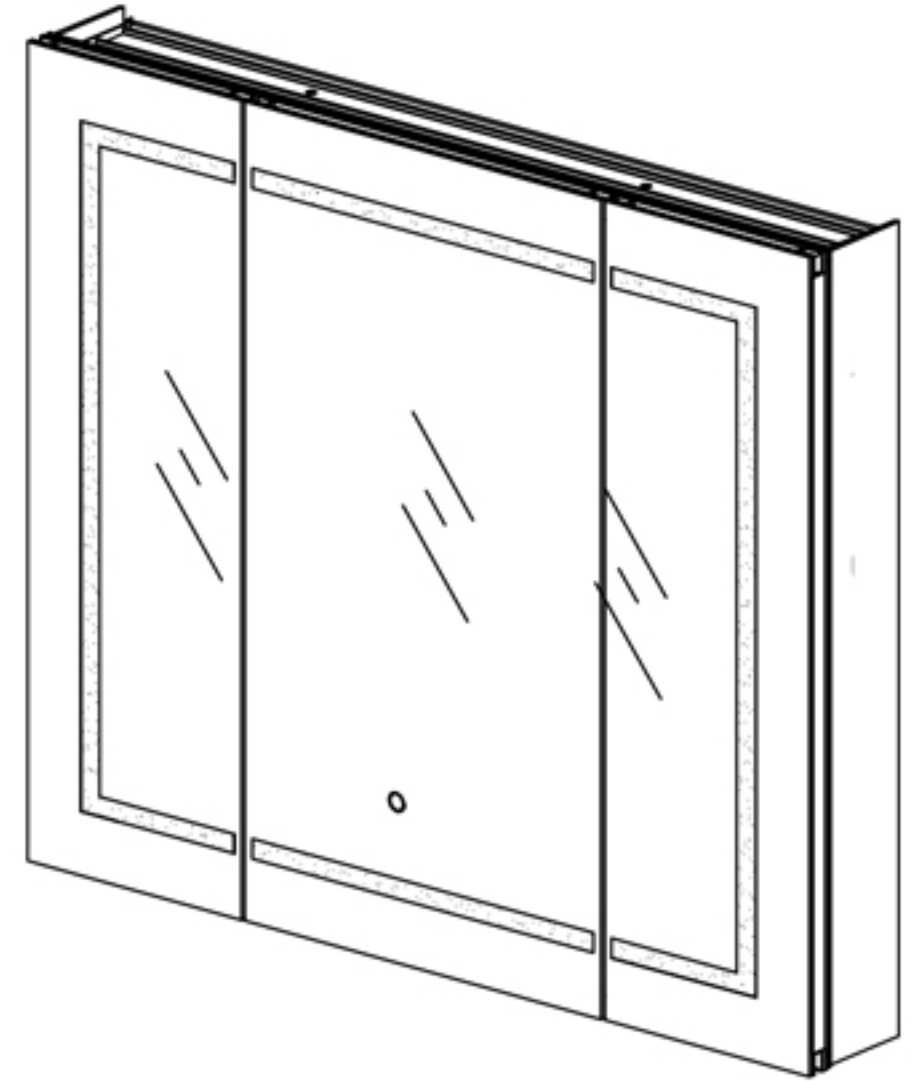
## Dimensions

Height: 30" ( 762 mm)

Width: 48" ( 1223 mm)

Depth: 5" (127 mm) When surface mounted

1" (25 mm) When recessed



Circuit Diagram

## Installation Options

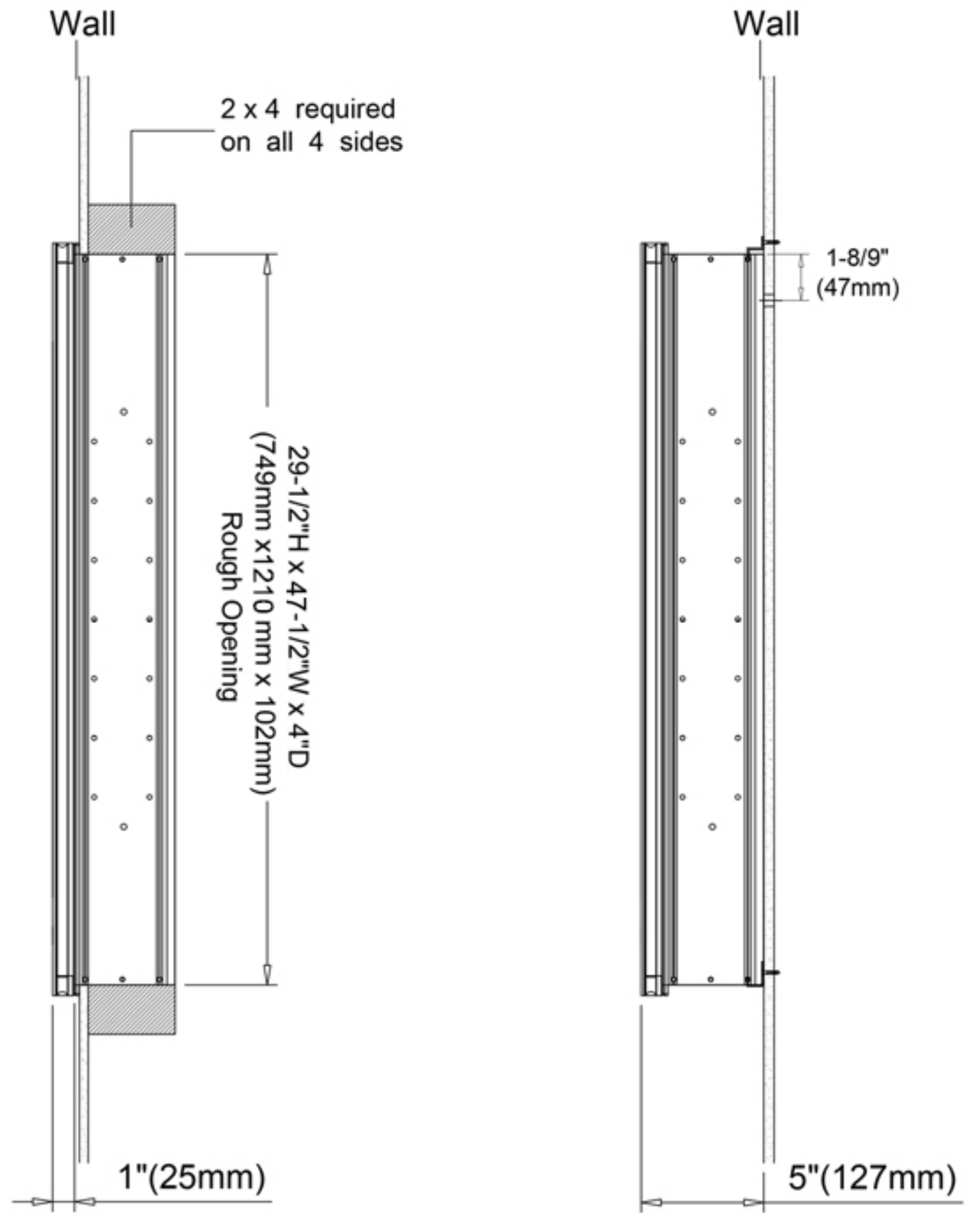
- Recessed Mount - Rough Opening - 29-1/2" H x 47-1/2" W x 4" D (749mm H x 1210mm W x 102mm D)
- Surface Mount - Surface Mount Kit is included

## Electrical System

- 100Watts LED Driver
- INPUT : 120 VAC 60HZ 2.2A
- OUTPUT : 12 VAC 8.5A
- Field wire location as shown in drawing
- 1/2" conduit (Ø 7/8" actual) electrical knockout location shown below
- Included field wire cable clamp
- Circuit Diagram ( On page 1 )

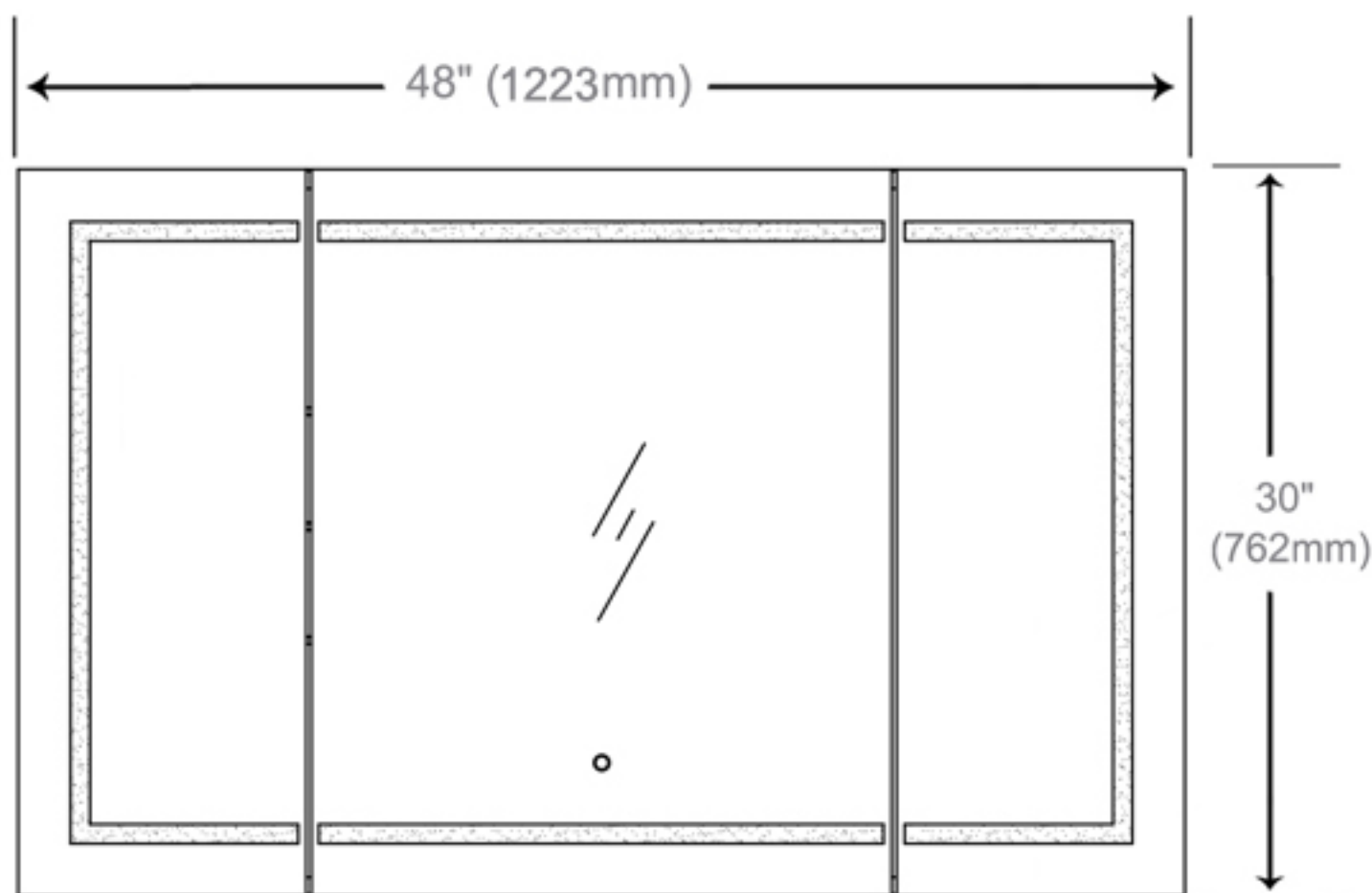


Back of Cabinet - Wire Access Location

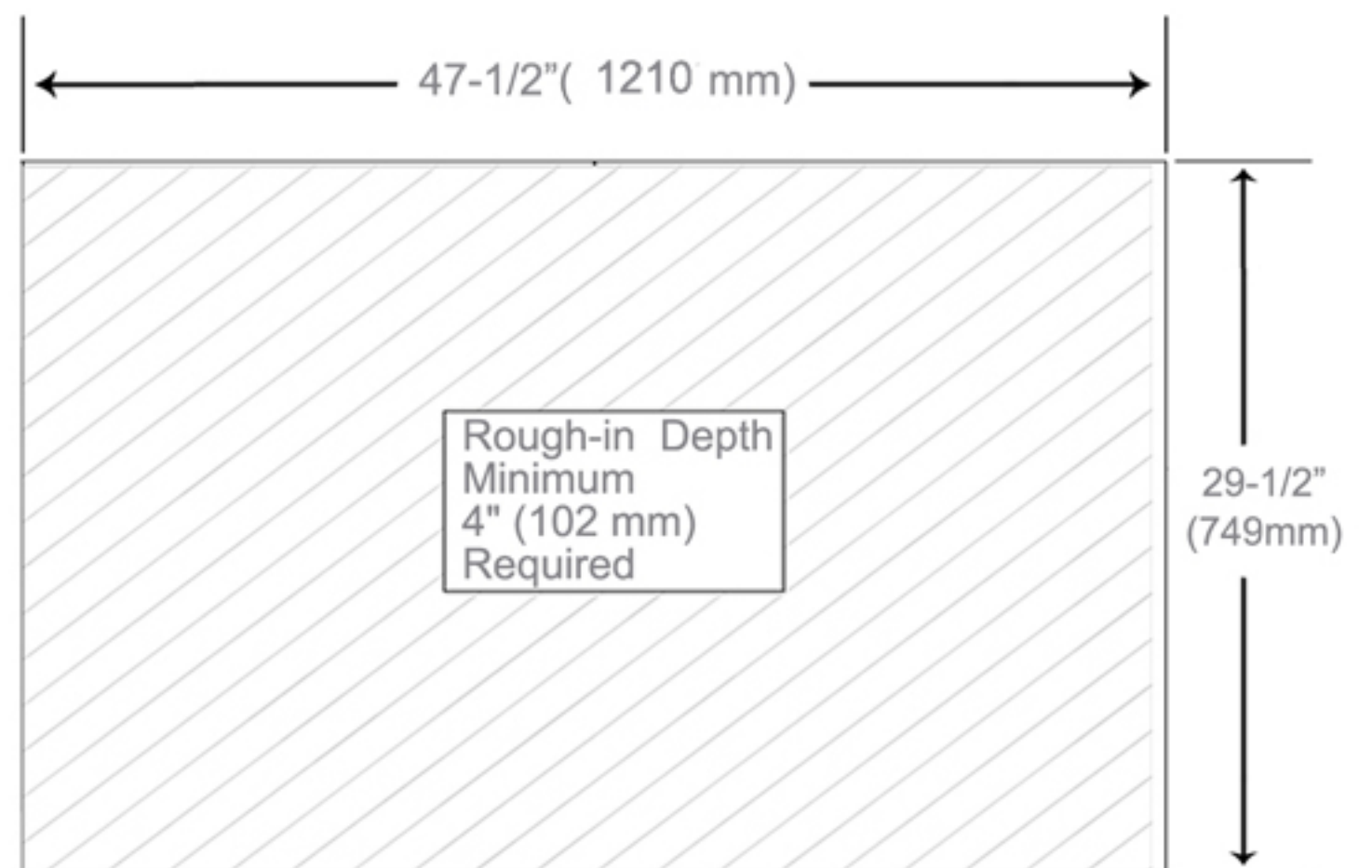


Recessed Mount

Surface Mount



Cabinet Dimensions



Rough-in Dimensions