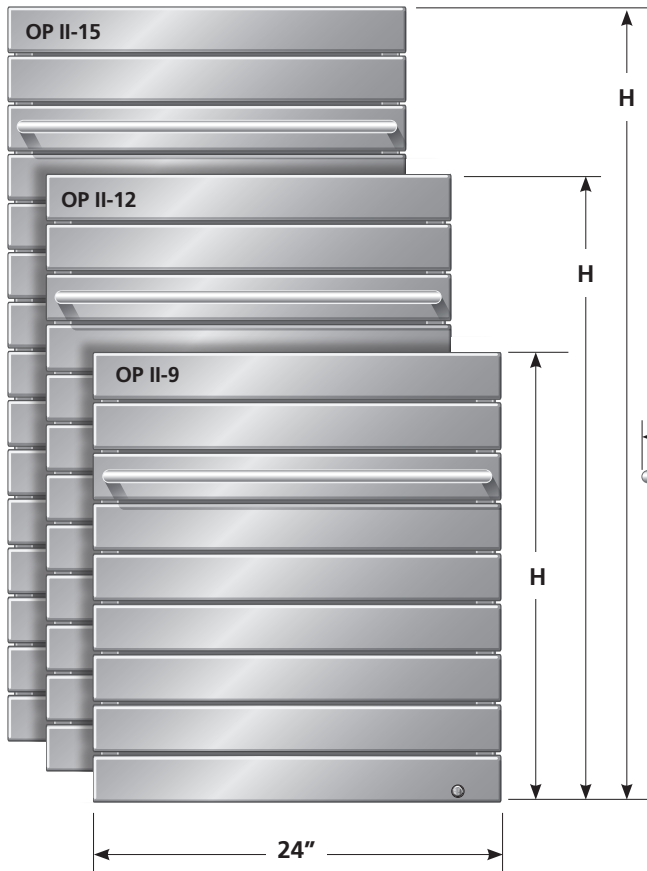


Runtal® Electric Omnipanel II Towel Radiator

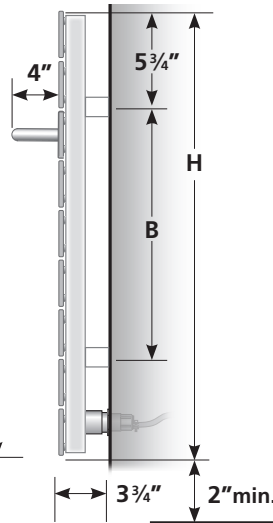
OWNER'S MANUAL & INSTALLATION INSTRUCTIONS

Omnipanel II Front View

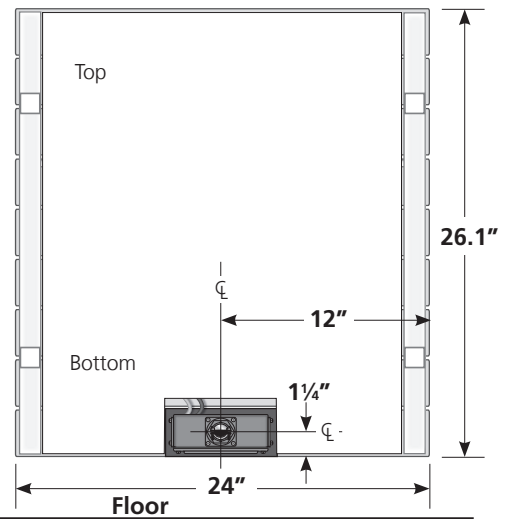


Model	H	B	24" Width
OP II-9	26.1 in	14.6 in	425 Watts
OP II-12	34.8 in	23.4 in	700 Watts
OP II-15	43.6 in	32.1 in	700 Watts

9 Panel Omnipanel II Side View



9 Panel Omnipanel II Back View



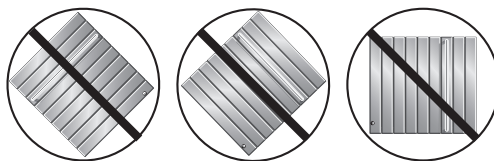
Thank you for purchasing the Runtal Electric Omnipanel II. We are very proud of our workmanship and quality, and we are certain that you will be thoroughly satisfied with your new Runtal Omnipanel II. We urge you to contact your local Runtal representative if you have comments or questions. This manual is intended to show installation and care for your Runtal Omnipanel II. The electrical wiring connections must be made by a qualified professional electrician. Wiring procedures and connections must be in accordance with the National Electric Code (NEC) and local codes.

The Electric Omnipanel II must be installed in a horizontal orientation as shown below.

Correct Orientation



Incorrect Orientations



Proper installation requires the Runtal Electric Omnipanel II to be in the horizontal position as shown. No other orientations are acceptable.

CONTENTS:

- 1 Omnipanel II (OP II)
- 1 Mounting Hardware Package
- 1 Owner's Manual
- 1 Towel Bar Accessory

TOOLS REQUIRED:

- Screw Drivers
- Electric Drill

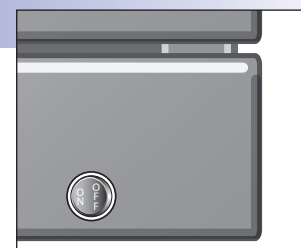
MOUNTING & INSTALLATION

Overview: The Omnipanel II (OPII) is designed for a very quick and easy wall mounting installation. Simply choose an appropriate location, attach wall brackets to the wall, make the electrical connection, hang the unit on the wall on the four posts. Please note that all installations of the Runtal OPII should be in accordance with local building and electrical codes and performed by a licensed installer.

Locating the OPII: The Runtal Electric Omnipanel II (OPII) is intended to be permanently wall mounted in a horizontal position (Please see the drawing for correct orientation.) It is recommended that the OPII be mounted no less than 2" above the finished floor. Inspect the desired location for the OPII and insure that there is sufficient room for the unit and that there are no obstacles that might hinder wall mounting.

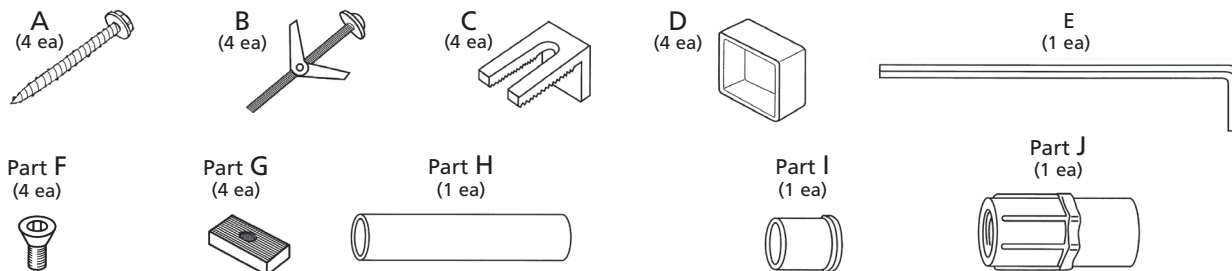
IMPORTANT OPERATING INSTRUCTIONS

1. Runtal Electric Omnipanel II must be properly installed before it is used.
2. Runtal Electric Omnipanel II comes in two versions: one with an integrated on/off switch and the other without a control on the unit. The unit with the toggle may be operated without further accessories or may be connected to a timer or thermostat. The unit without a control must be connected to a switching device, thermostat/relay switch, etc.



Integrated on/off switch.

CONTENTS OF MOUNTING HARDWARE PACKAGE



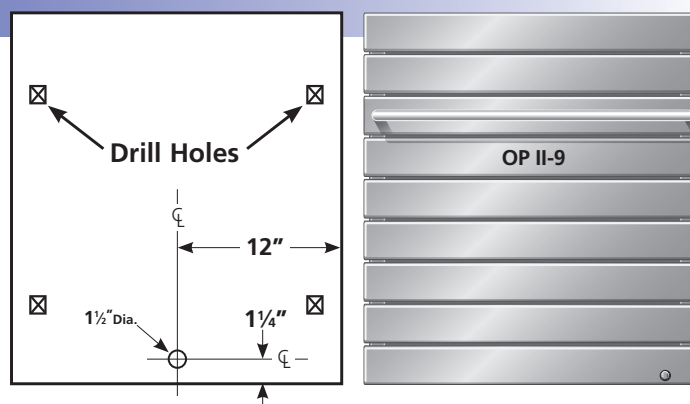
STEP 1 DETERMINE WIRING:

The electrician should start by providing the wiring to the Omnipanel II, use wire rough-in from page 1.

STEP 2 MAKE A TEMPLATE

For proper installation, the placement of wall brackets, the electrical hook-up must be exact. The diagrams at the right show the placement of the four mounting brackets for all models. The positioning of the mounting hardware may be completed by:

1. Measuring out the dimensions
2. Asking an assistant to hold the unit to the wall while you trace the four mounting posts, or
3. Making a template by placing the Omnipanel II onto a posterboard or large piece of the Omnipanel II carton and tracing the mounting posts. The template is then taped to the wall.



STEP 3 DETERMINE WALL CONSTRUCTION:

Drywall construction may require metal wall anchors (part B). Solid wood or placement directly onto blocking will require only the #8 x 1 1/2" long screws (part A). Omnipanels are very sturdy construction, and care should be taken that they are properly and securely hung using all four mounting points.

STEP 4 DRILL HOLES:

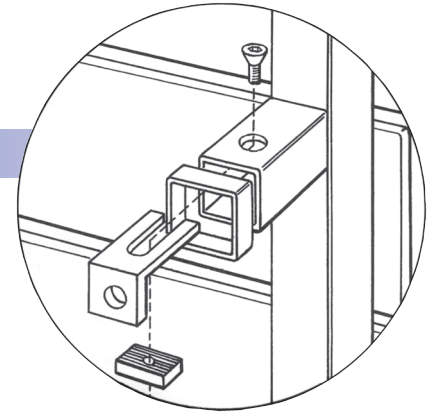
Be sure to drill the mounting holes in the middle of the mounting brackets marks. Use of metal wall anchors will require $\frac{5}{16}$ " holes while use of #8 x $1\frac{1}{2}$ " long screws will require $\frac{1}{16}$ " holes. Runtal recommends solid blocking for wall mounting brackets.

STEP 5 FASTEN THE WALL BRACKETS:

Using the appropriate fastener, attach the four "L" brackets (part C) to the wall. Be sure that the grooves in these brackets are facing down. Once positioned, the "L" brackets should be tightly secured.

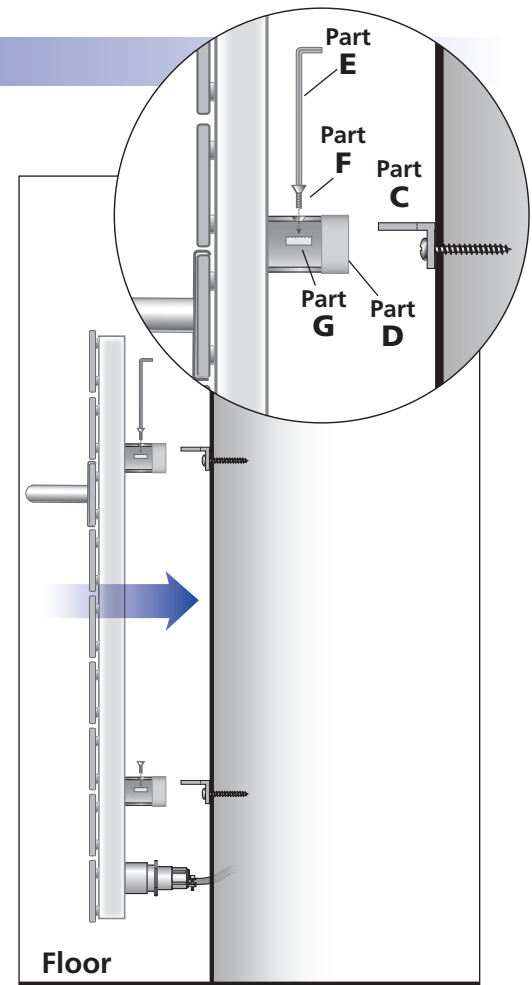
STEP 6 ASSEMBLE THE OMNIPANEL II BRACKETS:

Slip a grooved nut (part G) inside one of the brackets on the back of the Omnipanel II (making sure the grooves on the nut are facing up). Loosely screw the hex screw (part F) into this nut, and repeat on all four brackets. Then on all models, slide the four plastic sleeves (part D) over the Omnipanel II brackets. Use of sleeves is optional, but they provide a finished, flush appearance on uneven walls. If the installation has a good, flat surface, use of the sleeves may not be desired.

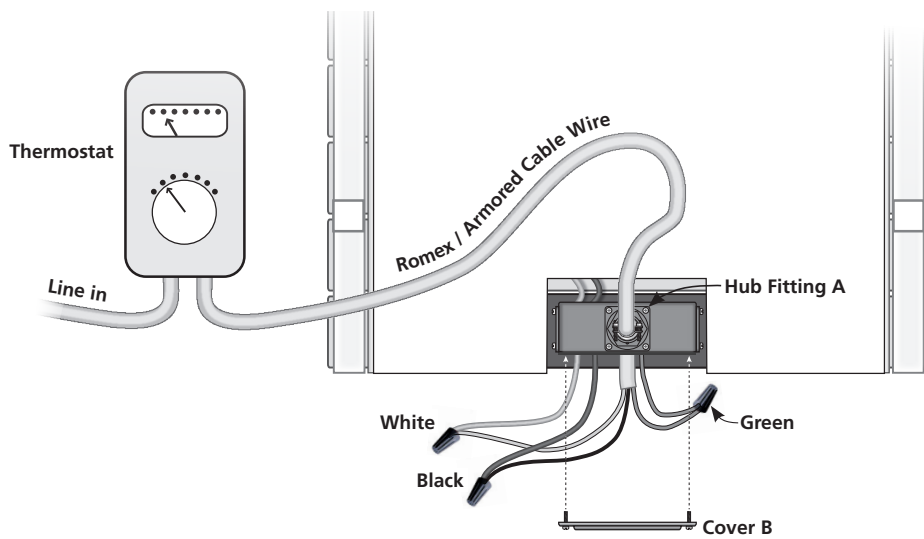


STEP 7 HANG THE OMNIPANEL II ON THE WALL:

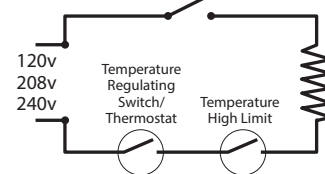
Once the hex screw and nut are loosely positioned, simply slide the Omnipanel II onto the wall brackets, and temporarily tighten the hex screws with the hex wrench (part E).



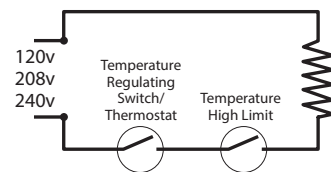
WIRING DIAGRAMS:



Switched Wiring Diagram



Non-switched Wiring Diagram



STEP 8 ATTACH THE ELECTRICAL SUPPLY TO THE OMNIPANEL II

Remove the flat square cover from the junction box and discard. Remove the junction box **Cover B** and install the 1" hub **Fitting A** to the junction box. Next install the Romex clamp adapter to the 1" hub fitting.

Locate the supply wire coming out of the wall and feed it through the restraint into the junction box. Allow as much wire as needed to make the connection to the radiator heater wires. Secure the supply wire by tightening the screws on the wire restraint.

120 Volt Connection:

Connect the black power supply wire to the black heater wire. Connect the white neutral supply wire to the white heater wire. Connect the green supply wire to the green heater wire.

208/240 Volt Connection:

Connect one power supply wire to one heater wire. Connect the second power supply wire to the second heater wire. Connect the ground supply wire to the ground heater wire.

The unit is now ready for wall hanging

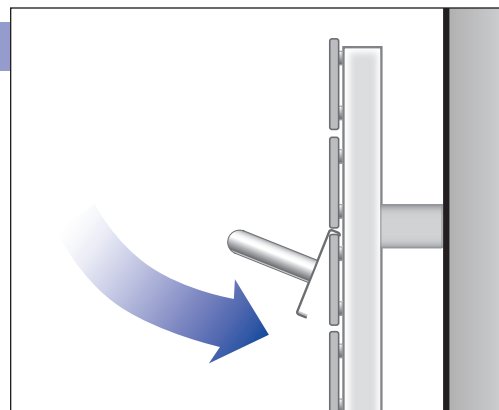
STEP 9 SECURE THE ELECTRIFIED UNIT ON THE WALL

Lift the Omnipanel II onto the Wall Brackets while inserting the wiring into the wall and tighten the hex screws with the hex wrench (part E).

Note: The Runtal Omnipanel II is equipped with a manual reset High-Limit Thermostat to insure against overheating. Should the radiator stop working for any reason, Runtal recommends that the power to the unit be shut off at the source (circuit breaker) and a licensed electrician be contacted for service.

STEP 10 ATTACH SUPPLIED ACCENT TOWEL BAR

Add the towel bar with accent as the final step. The towel bar may be placed on the unit according to personal preference. The towel bar will snap on any of the tubes with the exception of the bottom tube.



OPERATION & MAINTENANCE

MAINTENANCE & CLEANING

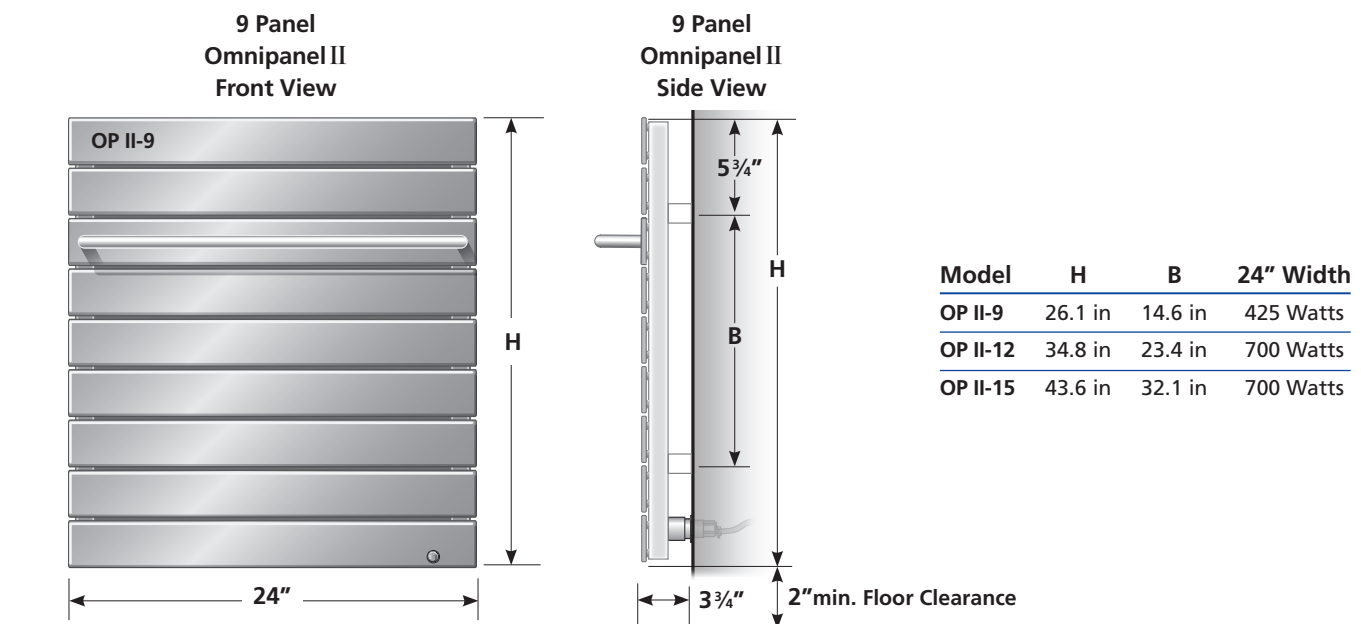
Your Runtal Omnipanel II (OPII) has been designed to require the absolute minimum maintenance and care under normal use. However, care should be taken when cleaning the surface of the panel. Periodically vacuum across the top of the grille to remove dust from the grille. A slight odor may be noticeable during initial operation and will dissipate within a few hours.

The OPII's powder coated finish provides an elegant yet durable finish to a welded steel product. Occasional cleaning of this finish is best done with a water dampened cloth. **Under no circumstances should abrasive cleaner be used. Before cleaning make sure the power has been turned off at the circuit breaker panel, and the heating element is cool.** Be sure to restore power when cleaning and maintenance is complete. All other servicing should be performed by qualified service personnel.

MAXIMUM WATTAGE ON A CIRCUIT

For installation of multiple OPII radiators, the following chart should be used. The chart indicates supply voltage, circuit breaker rating, minimum wire size, and maximum total wattage of electric radiators on the circuit.

Voltage A.C.	Circuit Breaker Size	Maximum Wattage	Minimum Wire Size
120	15 Amp	1440	14/2 with Ground
208	15 Amp	2496	14/2 with Ground
240	15 Amp	2880	14/2 with Ground



IMPORTANT INSTRUCTIONS

When using electrical appliances, basic precautions should always be followed to reduce the risk of fire, electric shock, and injury to persons, including the following:

1. Read all instructions before using this heater.
2. A heater has hot and arcing or sparking parts inside. Do not use it in areas where gasoline, paint, or flammable liquids are used or stored.
3. This heater is hot when in use. To avoid burns, do not let bare skin touch hot surfaces.
4. To prevent a possible fire, do not block air intakes or exhaust in any manner. Do not use on soft surfaces, like a bed, where openings may become clogged.
5. Do not insert or allow foreign objects to enter any ventilation or exhaust opening as this may cause an electrical shock or fire, or damage the heater. Never tamper with the OP II or any of its components.
6. Use heater only as described in this manual. Any other use not recommended by the manufacturer may cause fire, electric shock, or injury to persons.
7. Extreme caution is necessary when any heater is used by or near children or persons which may require supervision and whenever the heater is left operating and unattended.
8. Do not operate any heater after it malfunctions. Disconnect power at service panel and have the heater inspected by a reputable electrician before reusing.
9. Do not use outdoors.
10. The OP II should not be in direct contact with water.
11. To disconnect heater, turn controls to off, and turn off power to the heater circuit at main disconnect panel (or operate internal disconnect switch if provided).
12. The Runtal OP II is equipped with a manual reset High-Limit Thermostat to insure against overheating. Should the radiator stop working for any reason, Runtal recommends that the power to the unit be shut off at the source (circuit breaker) and a licensed electrician be contacted for service.

13. SAVE THESE INSTRUCTIONS



RUNTAL NORTH AMERICA, INC.
 PO Box 8278, Ward Hill, MA 01835 (Haverhill)
 Tel: 800-526-2621 ▲ In Canada: 888 829-4901
www.runtalnorthamerica.com

