

# artos<sup>®</sup>

## MS12250W

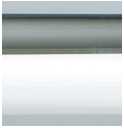
## INSTALLATION GUIDE

lioni towel warmer,  
hardwired

BRUSHED NICKEL(BN)



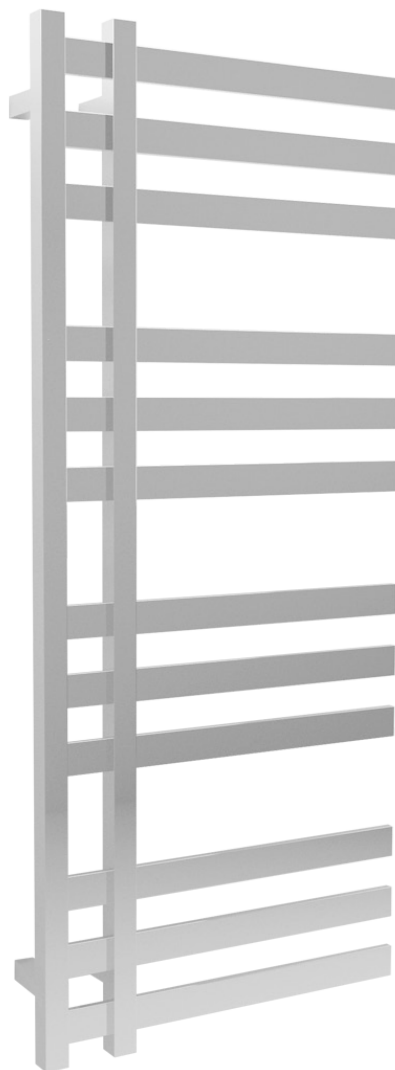
CHROME(CH)



POLISHED NICKEL(PN)



BLACK(BK)

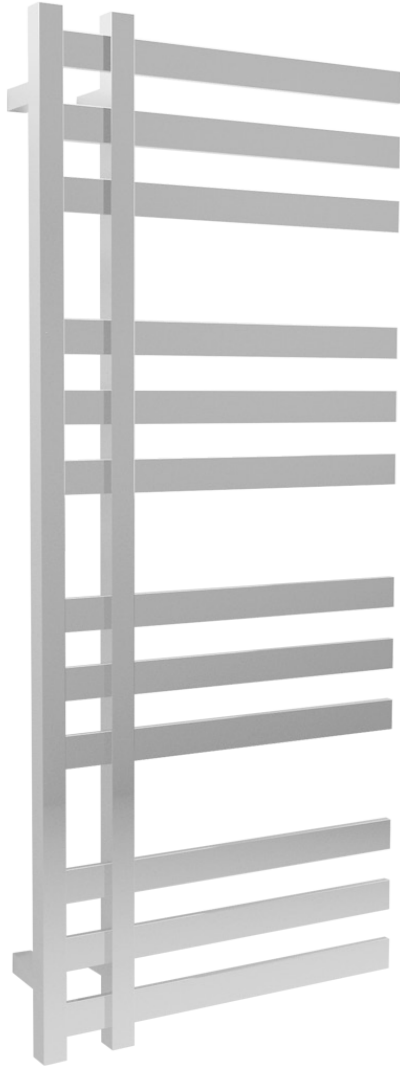


# artos<sup>®</sup>

MS12250W

## OPERATING SPECIFICATIONS

lioni towel warmer,  
hardwired



### FEATURES

Towel warming, drying and auxiliary heating.

### ELEMENT

300W, 110V

### CODES

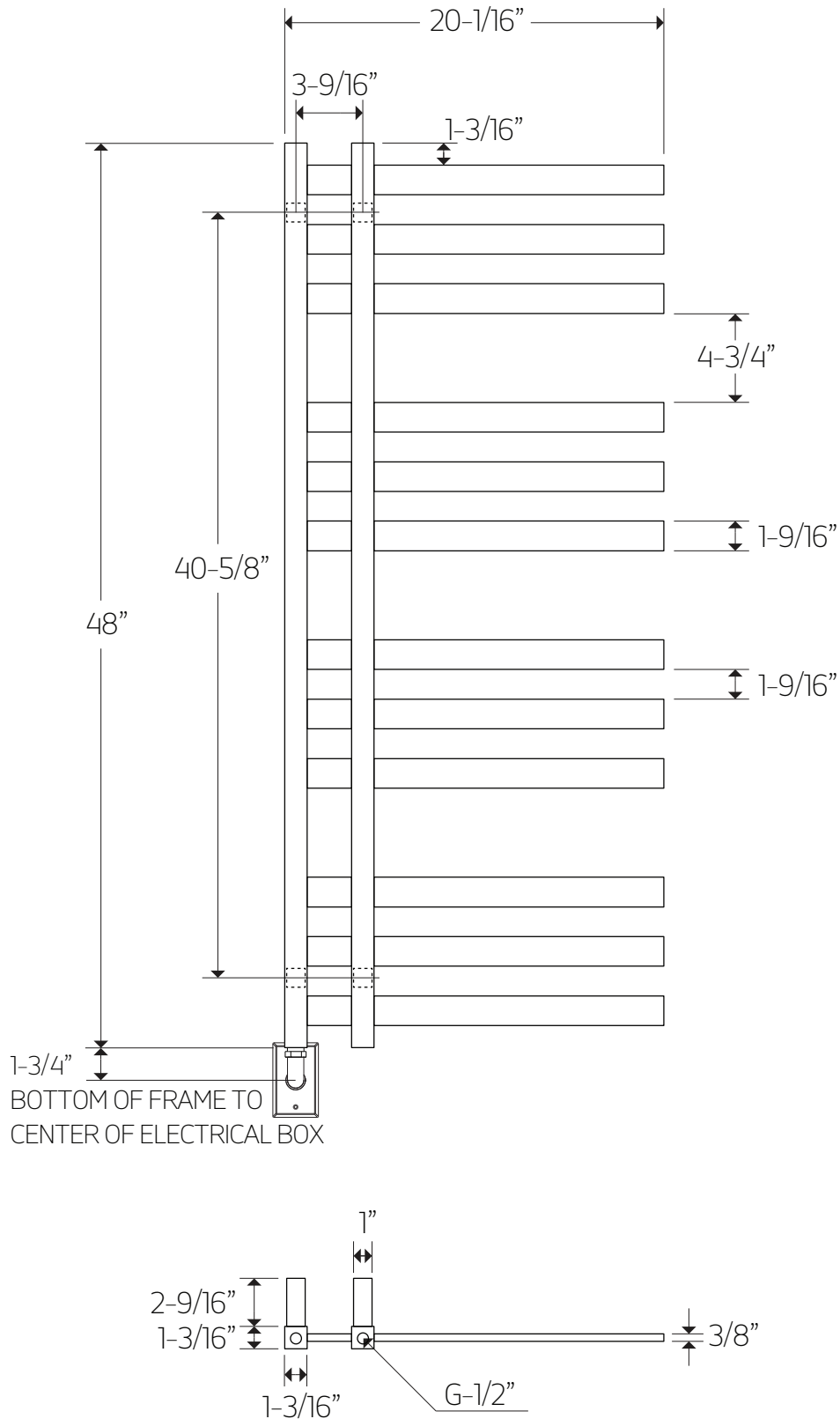
UL Approved

CSA-US Approved

### REQUIREMENTS

The towel warmer must be installed so that the Element is at the bottom.

ioni towel warmer,  
hardwired



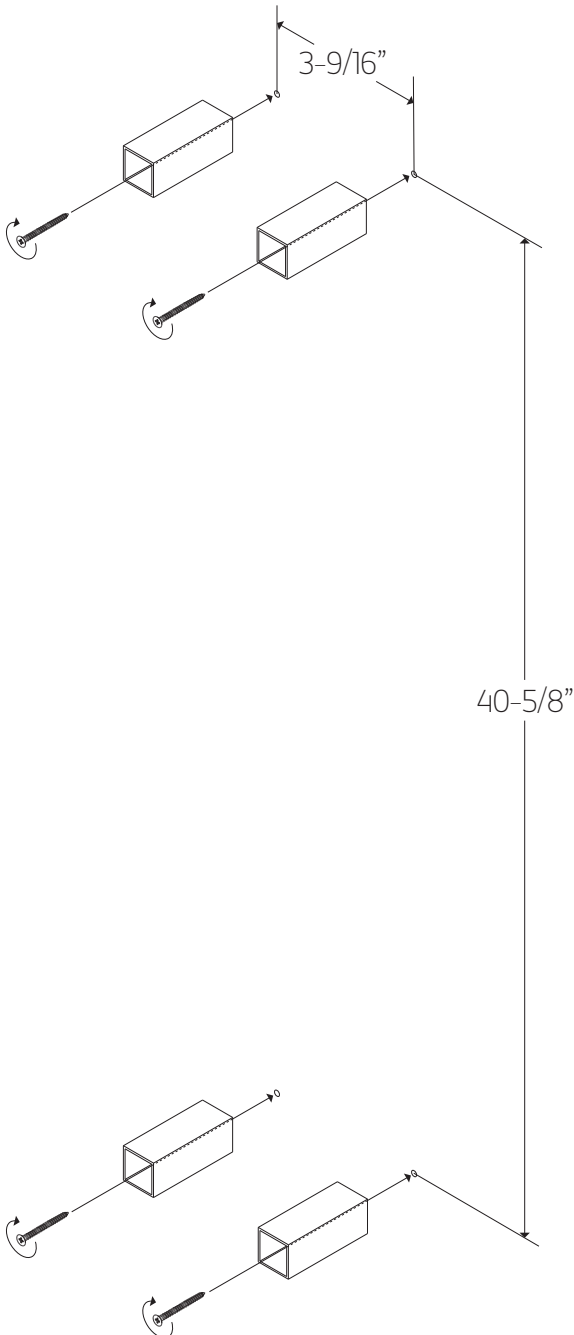
# artos<sup>®</sup>

## MS12250W

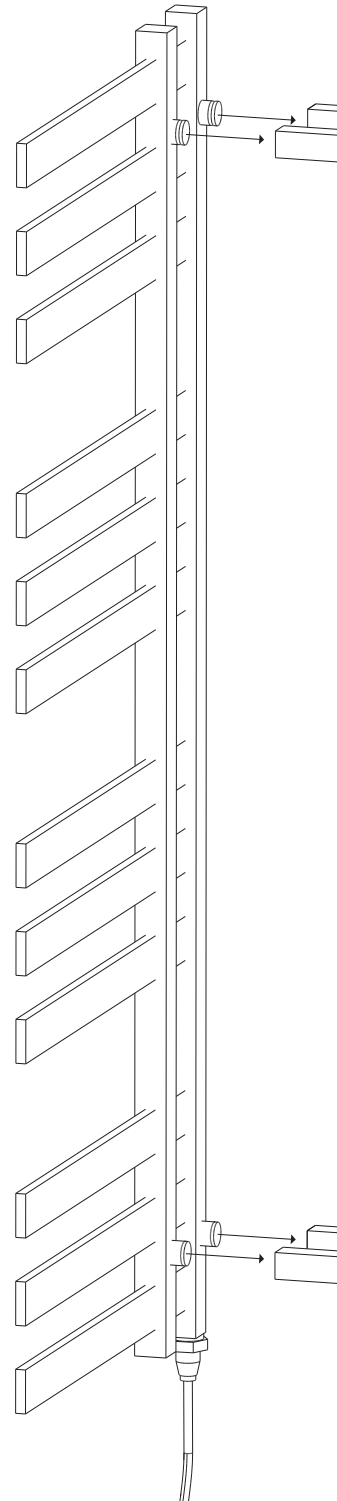
ioni towel warmer,  
hardwired

### STEP 1

WE RECOMMEND THAT AT LEAST  
2 OF THE WALL BRACKETS ARE  
SECURED INTO A STUD OR BACKER

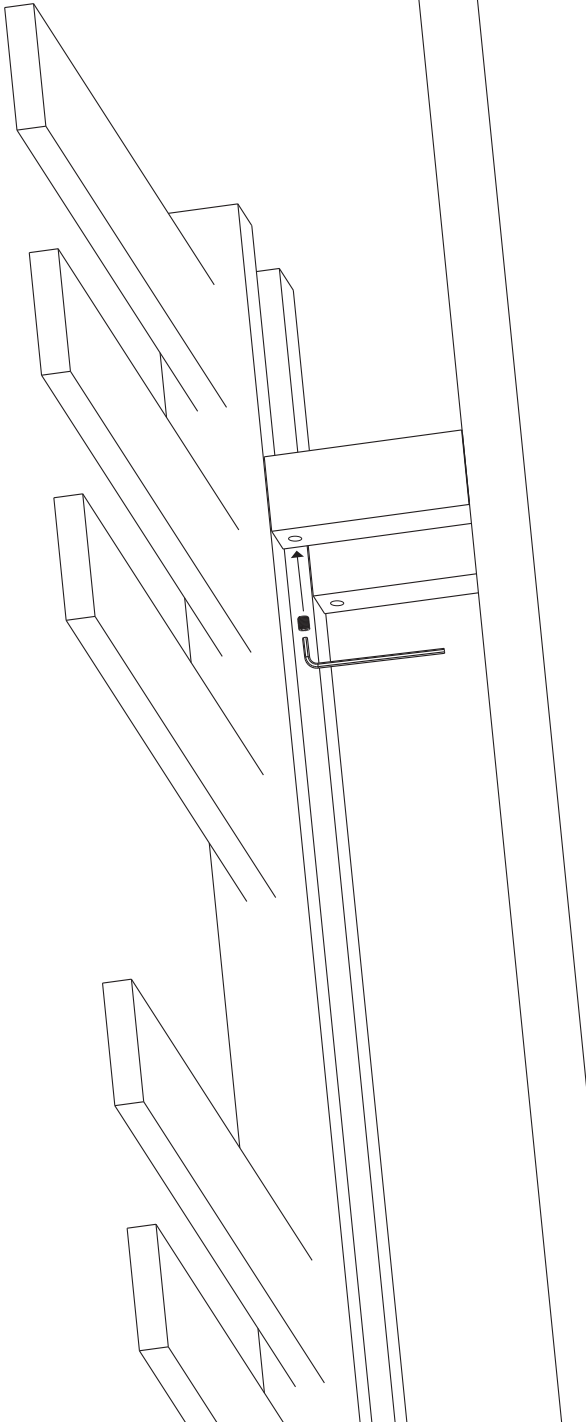


### STEP 2

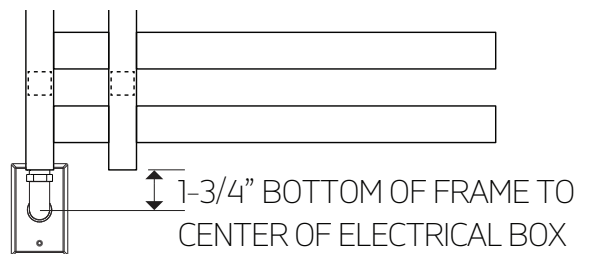
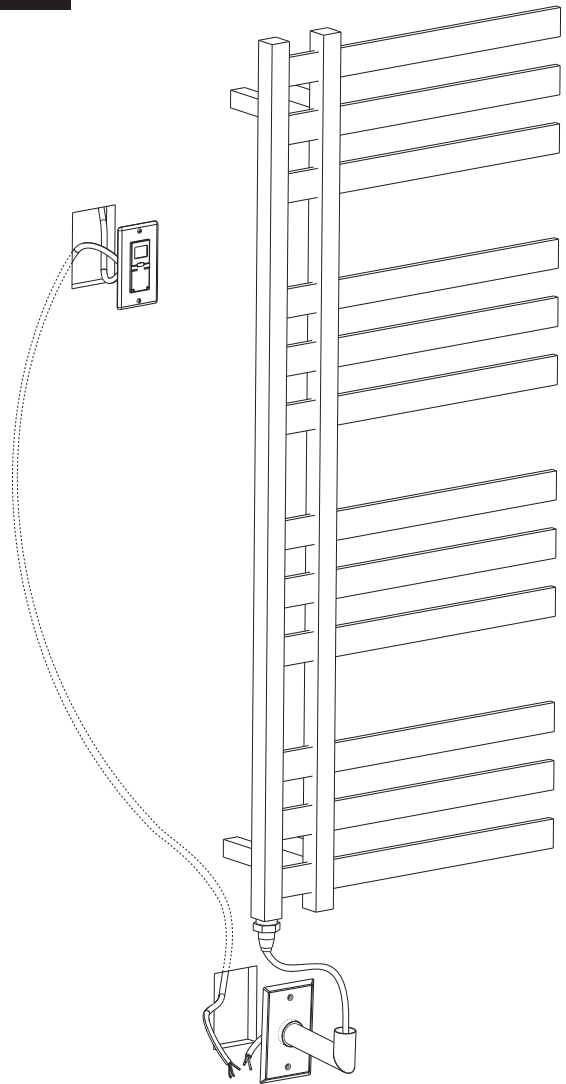


# INSTALLATION STEPS

**STEP 3** TIGHTEN 4 SET SCREWS,  
1 PER BRACKET



**STEP 4**



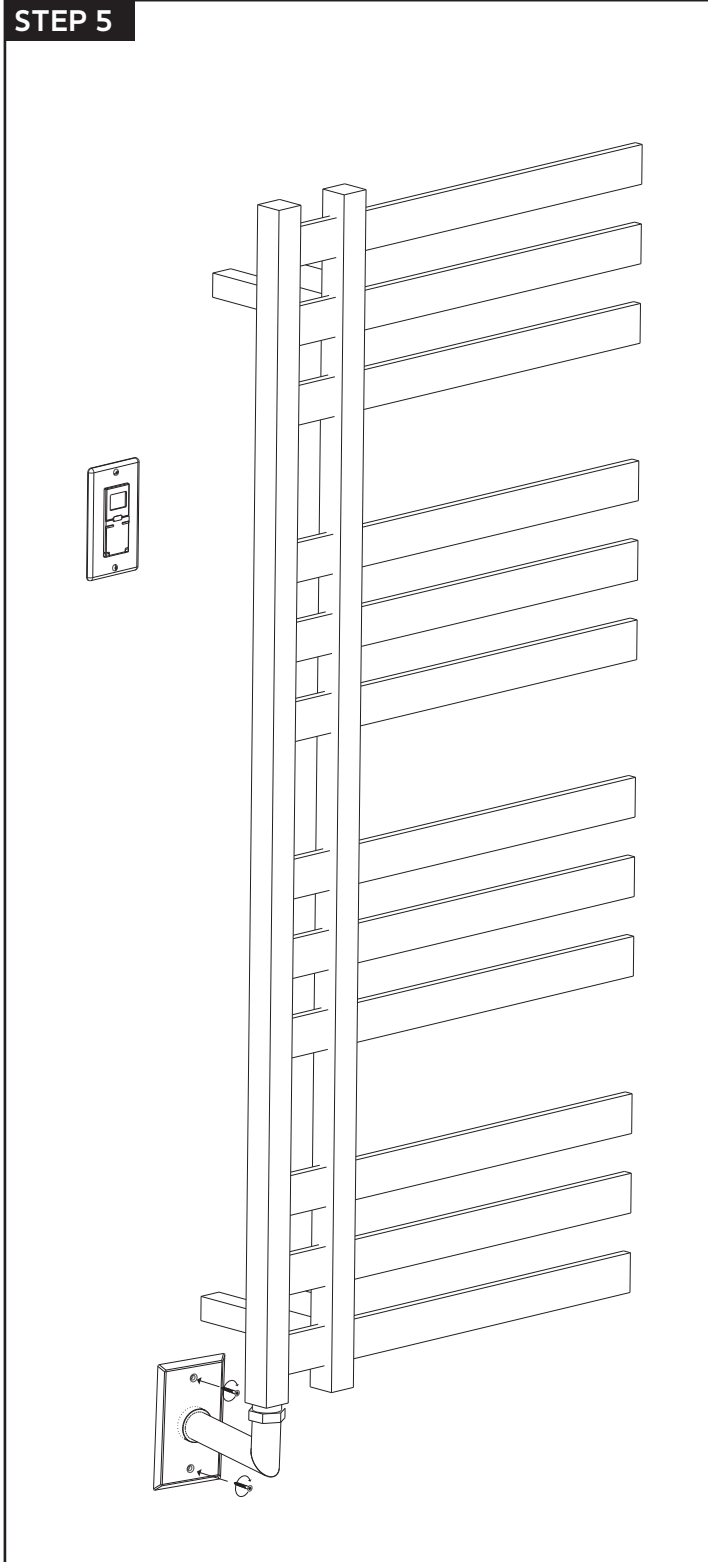
# artos<sup>®</sup>

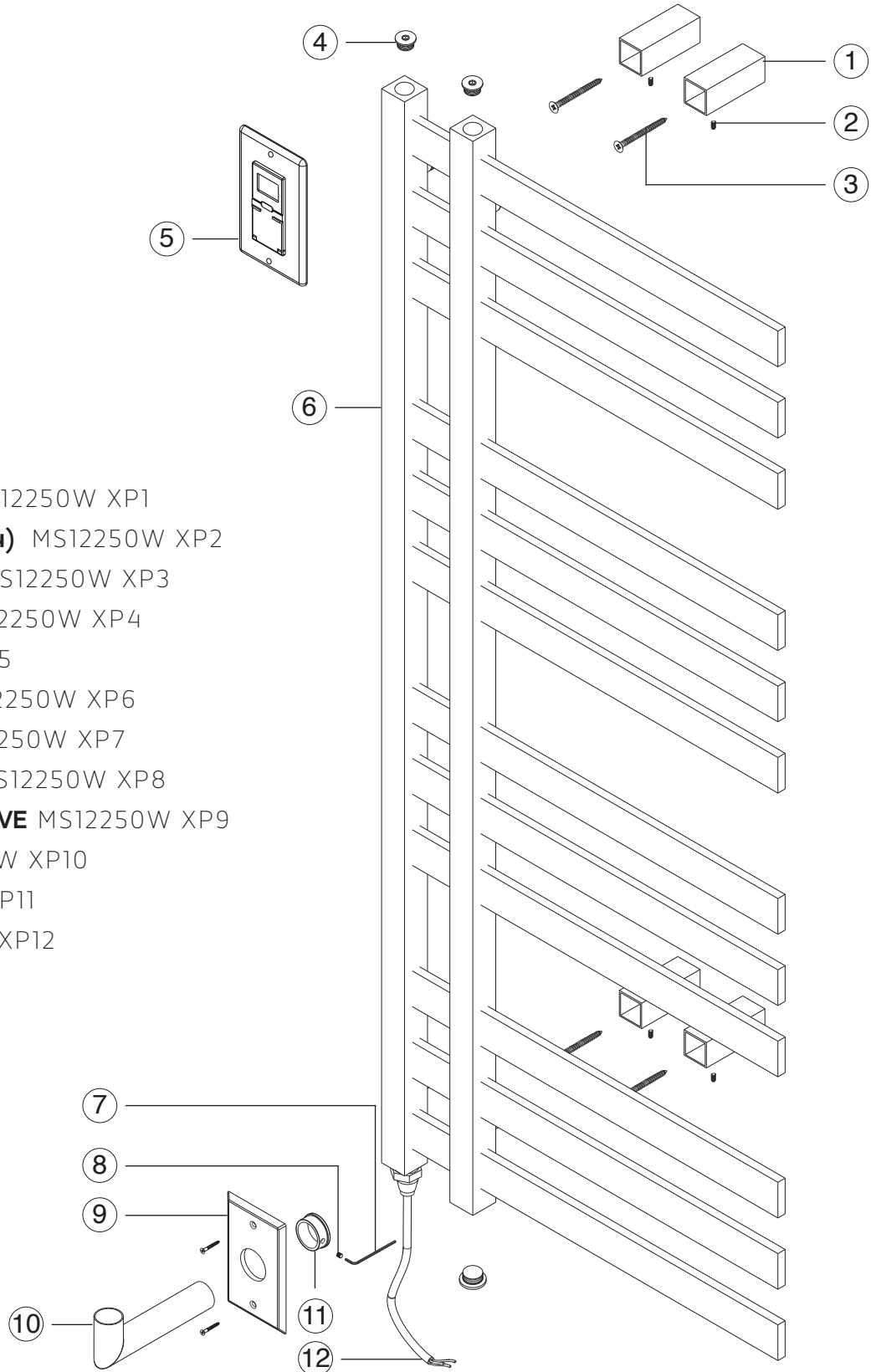
## MS12250W

## INSTALLATION STEPS

lioni towel warmer,  
hardwired

### STEP 5





- ① **WALL BRACKET(4)** MS12250W XP1
- ② **BRACKET SET SCREW(4)** MS12250W XP2
- ③ **BRACKET SCREW(4)** MS12250W XP3
- ④ **BLANKING CAP(3)** MS12250W XP4
- ⑤ **TIMER** MS12250W XP5
- ⑥ **TOWEL WARMER** MS12250W XP6
- ⑦ **ALLEN WRENCH** MS12250W XP7
- ⑧ **ELBOW SET SCREW** MS12250W XP8
- ⑨ **ELBOW SECURING SLEEVE** MS12250W XP9
- ⑩ **BACKPLATE** MS12250W XP10
- ⑪ **ELBOW** MS12250W XP11
- ⑫ **ELEMENT** MS12250W XP12

# artos<sup>®</sup>

## MS12250W

lioni towel warmer,  
hardwired

### CARE & MAINTENANCE

For best results, keep the following in mind to retain the high quality finish of your artos<sup>®</sup> towel warmer:

- Use a soft, dampened sponge or cloth. On no account should you use an abrasive material such as a brush, scouring pad or steel wool to clean surfaces.
- Test your cleaning agent solution on an inconspicuous area before applying to the entire faucet.
- Wipe surfaces clean and rinse completely with water immediately after applying cleaning agent.
- An ideal cleaning technique is to rinse faucet thoroughly and blot dry any water from the surface after each use.

### LIMITED WARRANTY

**artos<sup>®</sup> towel warmers are guaranteed for five years against finishing defects and one year for the element as the original purchaser owns it.**

Damage caused by accident, misuse, abuse, improper installation, improper cleaning or alteration will void the warranty. This warranty does not cover replacement parts where damage is caused by normal wear and tear. Westover, Inc is not responsible for labor charges, installation or other incidental or consequential costs. Proof of purchase must be provided with all claims.

Please register this product online at [WWW.ARTOS.US.COM](http://WWW.ARTOS.US.COM)

ITEM NO. **MS12250W**  
SERIAL NO.