

artos

MS12250P

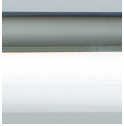
INSTALLATION GUIDE

lioni towel warmer,
plug-in

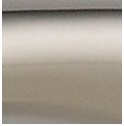
BRUSHED NICKEL(BN)



CHROME(CH)



POLISHED NICKEL(PN)



artos

MS12250P

ioni towel warmer,
plug-in

OPERATING SPECIFICATIONS



FEATURES

Towel warming, drying and auxiliary heating.

ELEMENT

300W, 110V

CODES

UL Approved

REQUIREMENTS

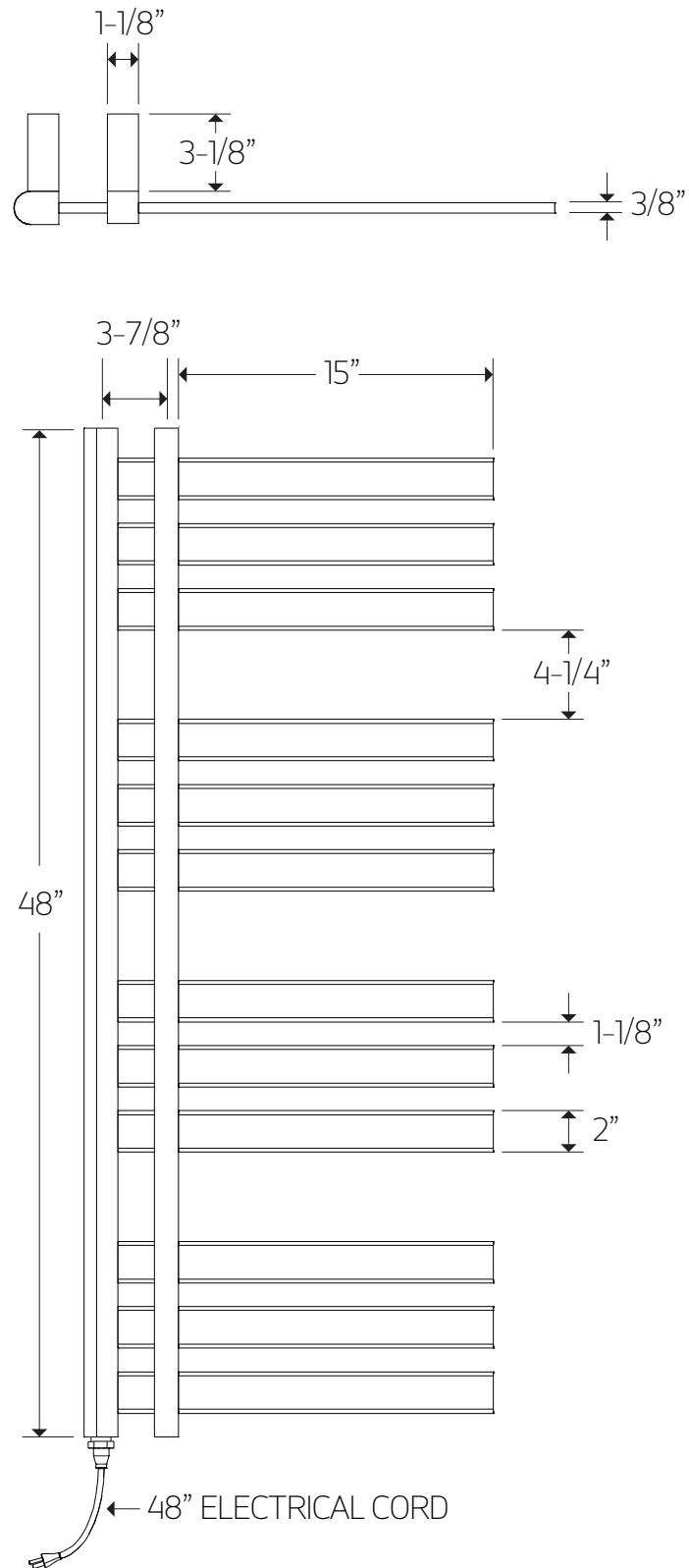
The towel warmer must be installed so that the Element is at the bottom.

artos

MS12250P

PRODUCT DIMENSIONS

ioni towel warmer,
plug-in

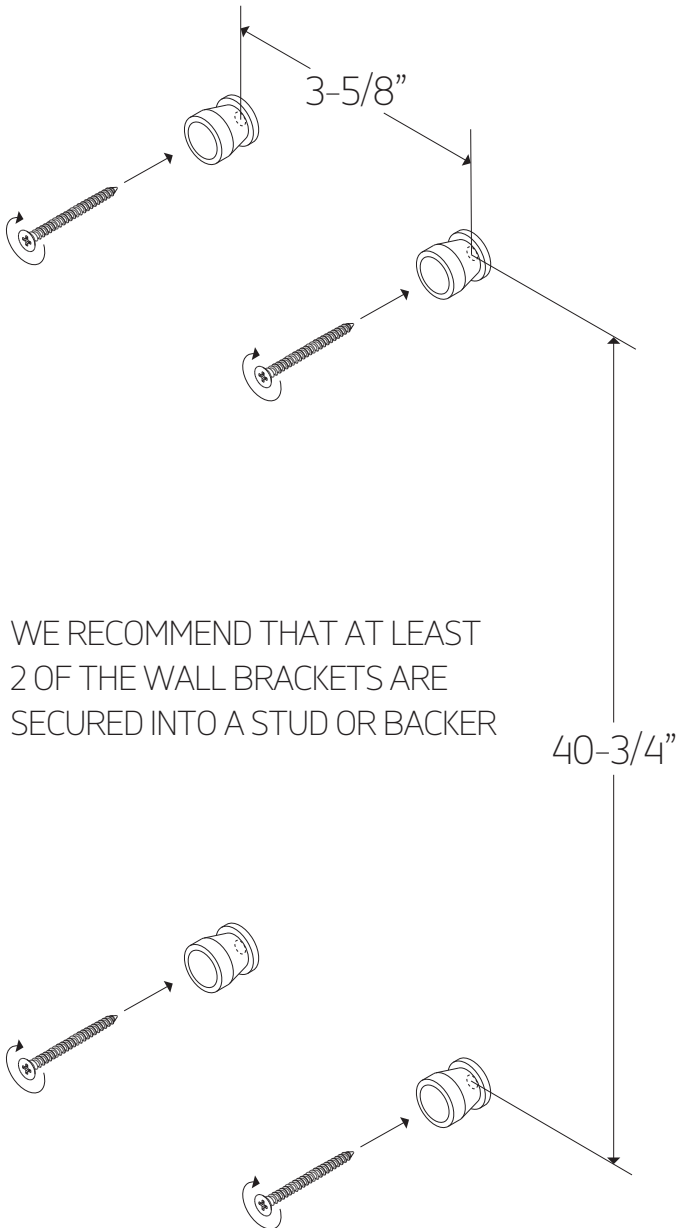


artos

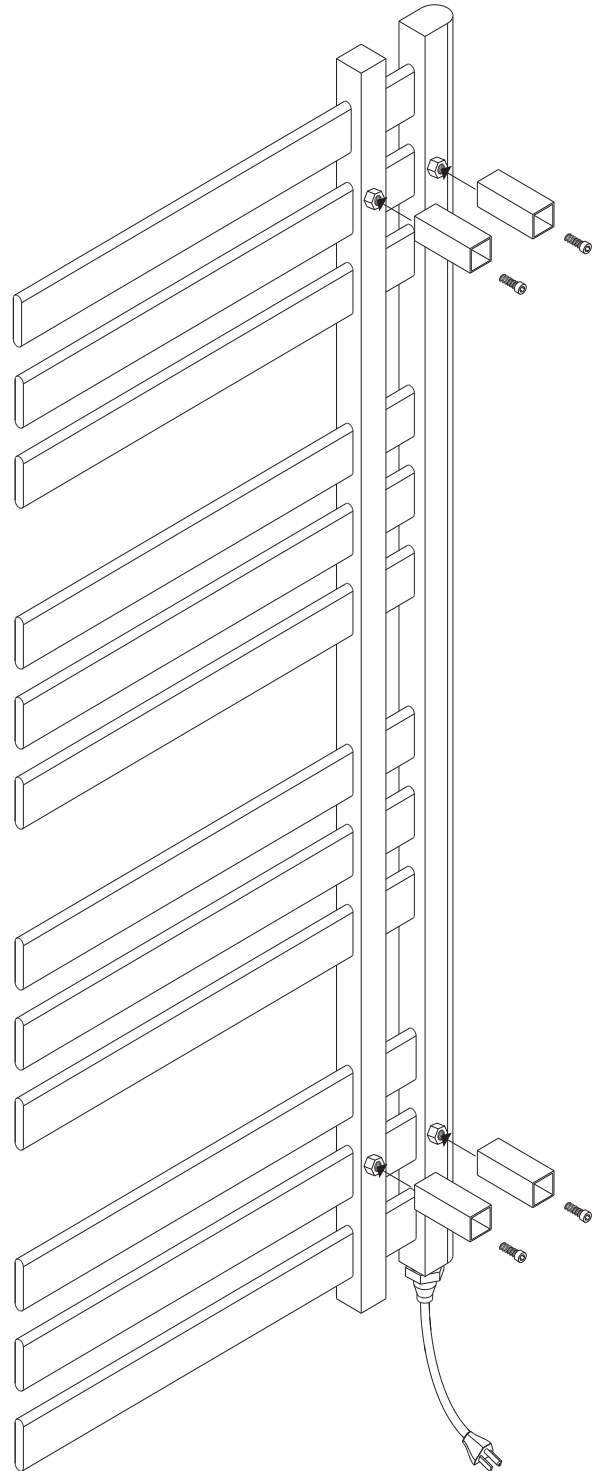
MS12250P

ioni towel warmer,
plug-in

STEP 1

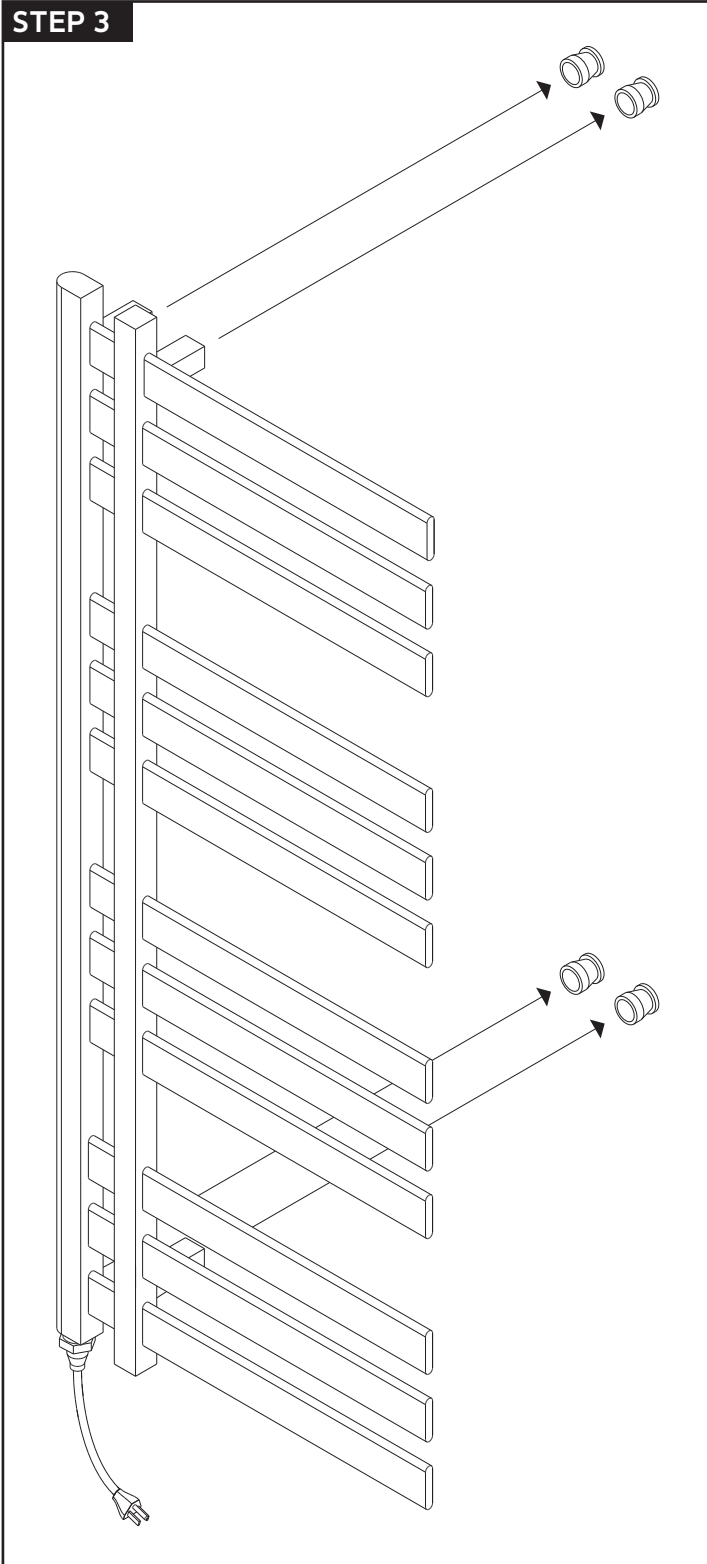


STEP 2

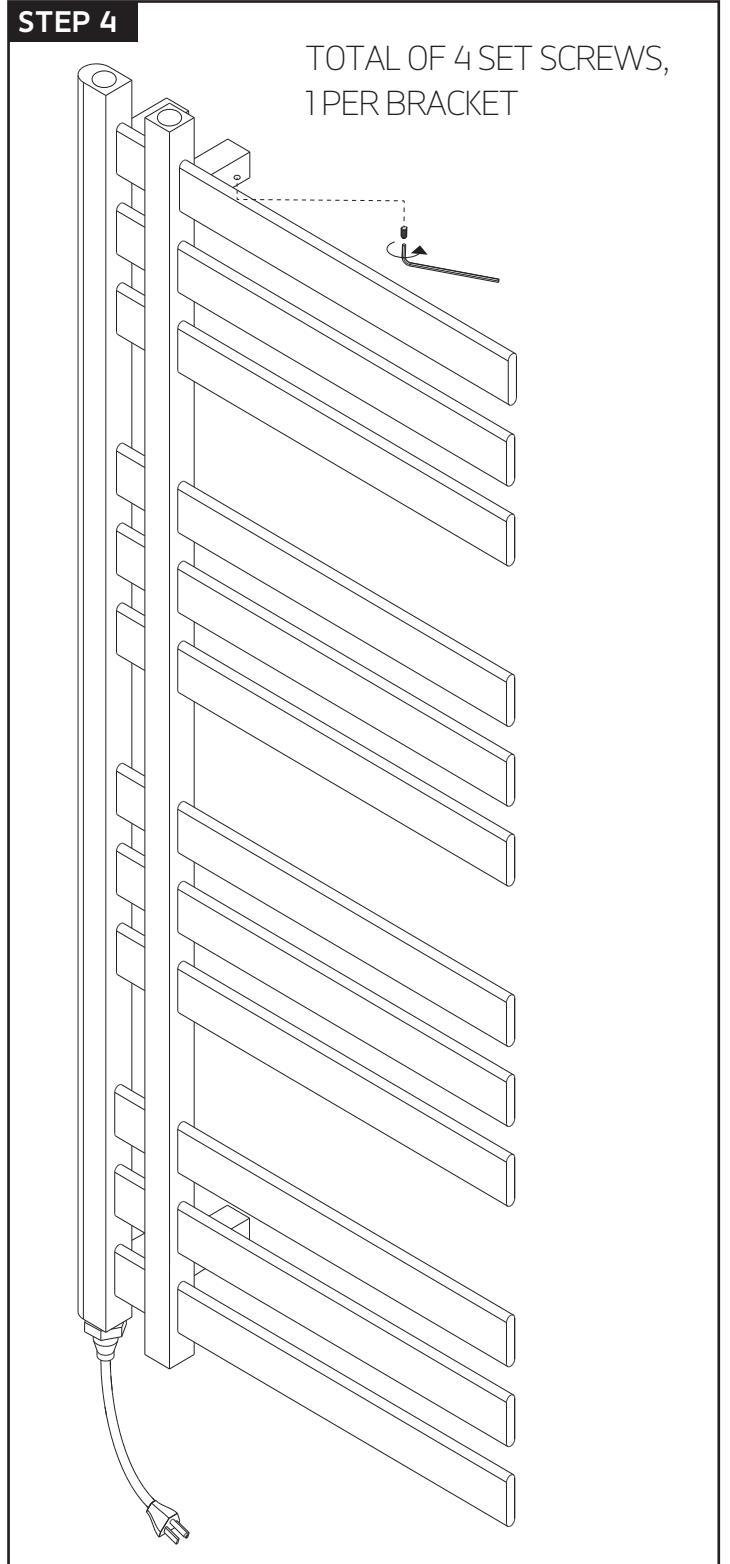


INSTALLATION STEPS

STEP 3



STEP 4



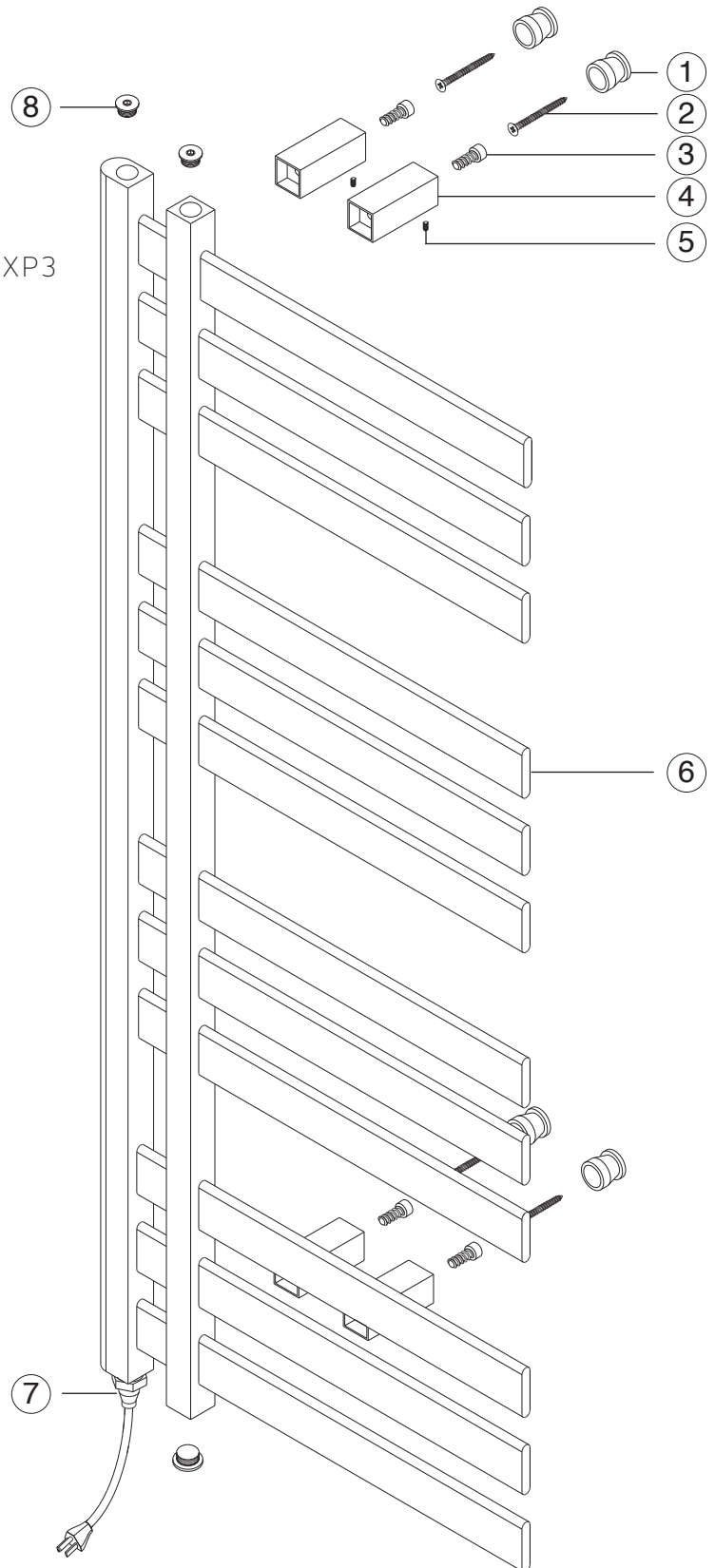
artos

MS12250P

PARTS BREAKDOWN

lioni towel warmer,
plug-in

- ① **WALL BRACKET(4)** MS12250P XP1
- ② **WALL BRACKET SCREW(4)** MS12250P XP2
- ③ **TOWEL WARMER BRACKET BOLT(4)** MS12250P XP3
- ④ **BRACKET LEG(4)** MS12250P XP4
- ⑤ **BRACKET SET SCREW(4)** MS12250P XP5
- ⑥ **TOWEL WARMER** MS12250P XP6
- ⑦ **ELEMENT** MS12250P XP7
- ⑧ **BLANKING CAP(3)** MS12250P XP8



artos

MS12250P

ioni towel warmer,
plug-in

CARE & MAINTENANCE

For best results, keep the following in mind to retain the high quality finish of your artos® towel warmer:

- Use a soft, dampened sponge or cloth. On no account should you use an abrasive material such as a brush, scouring pad or steel wool to clean surfaces.
- Test your cleaning agent solution on an inconspicuous area before applying to the entire faucet.
- Wipe surfaces clean and rinse completely with water immediately after applying cleaning agent.
- An ideal cleaning technique is to rinse faucet thoroughly and blot dry any water from the surface after each use.

LIMITED WARRANTY

artos® towel warmers are guaranteed for five years against finishing defects and one year for the element as the original purchaser owns it.

Damage caused by accident, misuse, abuse, improper installation, improper cleaning or alteration will void the warranty. This warranty does not cover replacement parts where damage is caused by normal wear and tear. Westover, Inc is not responsible for labor charges, installation or other incidental or consequential costs. Proof of purchase must be provided with all claims.

Please register this product online at WWW.ARTOS.US.COM

ITEM NO. **MS12250P**
SERIAL NO.