

artos[®]

MS06950W

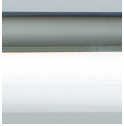
INSTALLATION GUIDE

lioni towel warmer,
hardwired

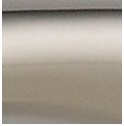
BRUSHED NICKEL(BN)



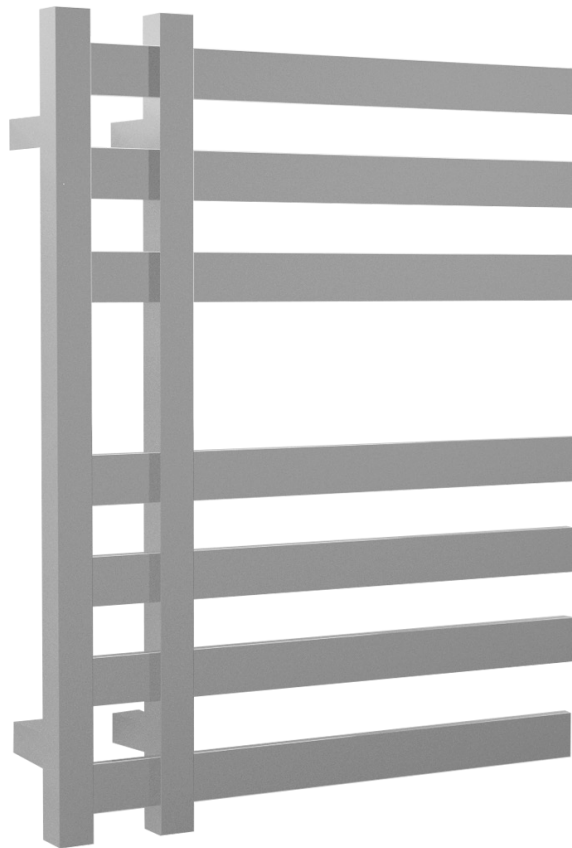
CHROME(CH)



POLISHED NICKEL(PN)



BLACK(BK)

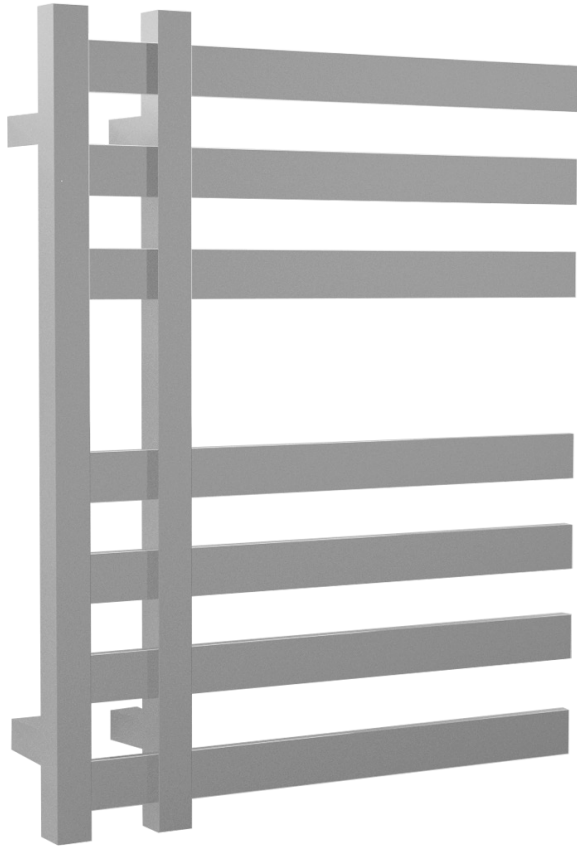


artos[®]

MS06950W

OPERATING SPECIFICATIONS

lioni towel warmer,
hardwired



FEATURES

Towel warming, drying and auxiliary heating.

ELEMENT

300W, 110V

CODES

UL Approved
CSA-US Approved

REQUIREMENTS

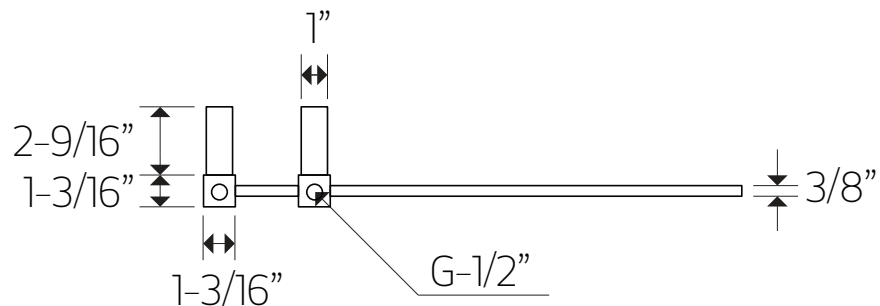
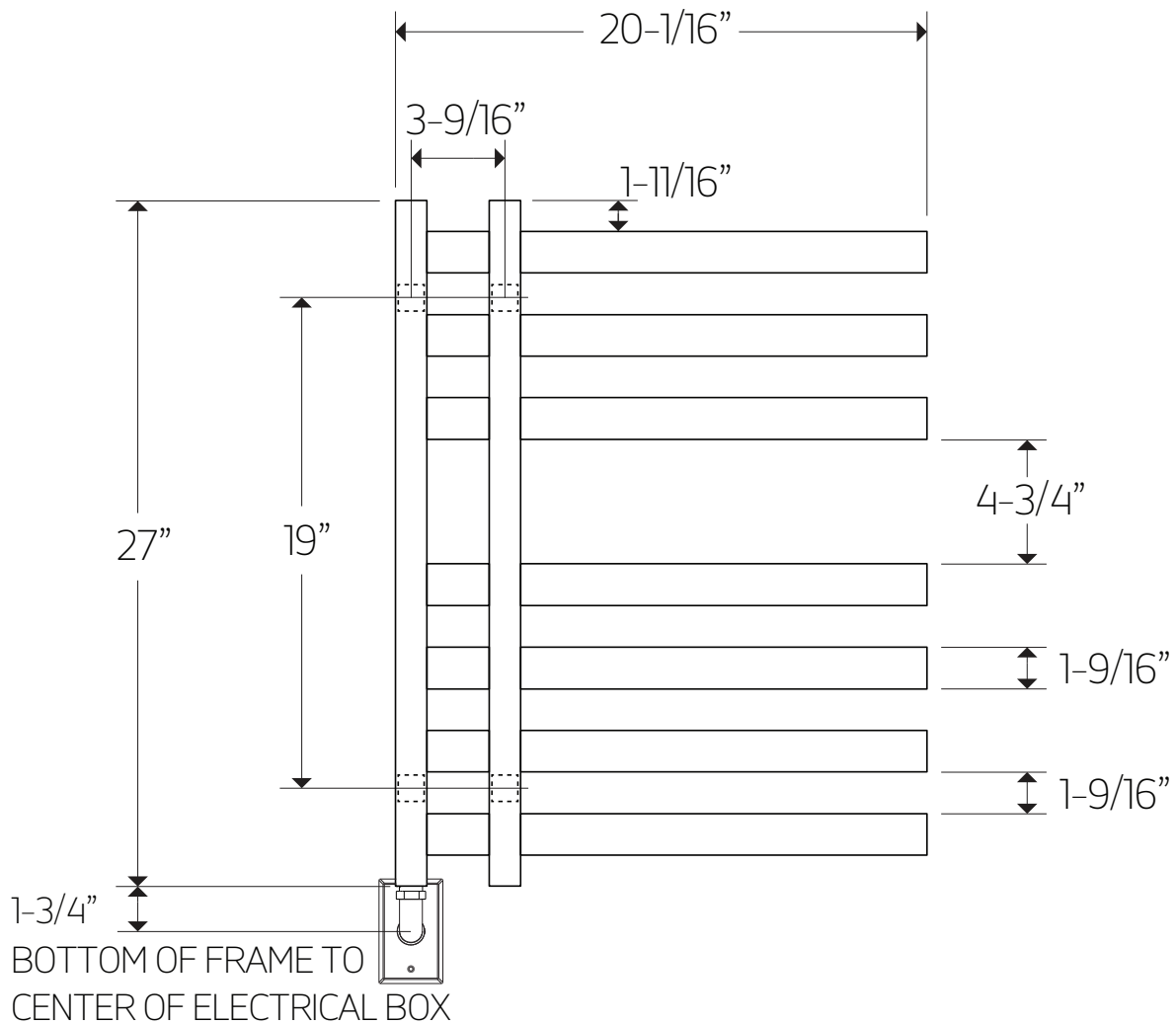
The towel warmer must be installed so that the Element is at the bottom.

artos[®]

MS06950W

PRODUCT DIMENSIONS

lioni towel warmer,
hardwired



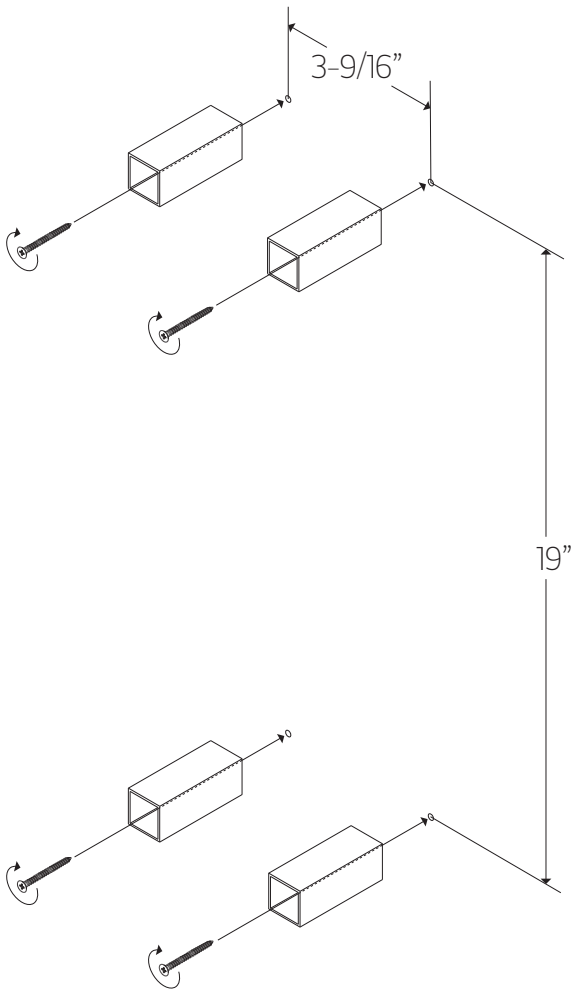
artos[®]

MS06950W

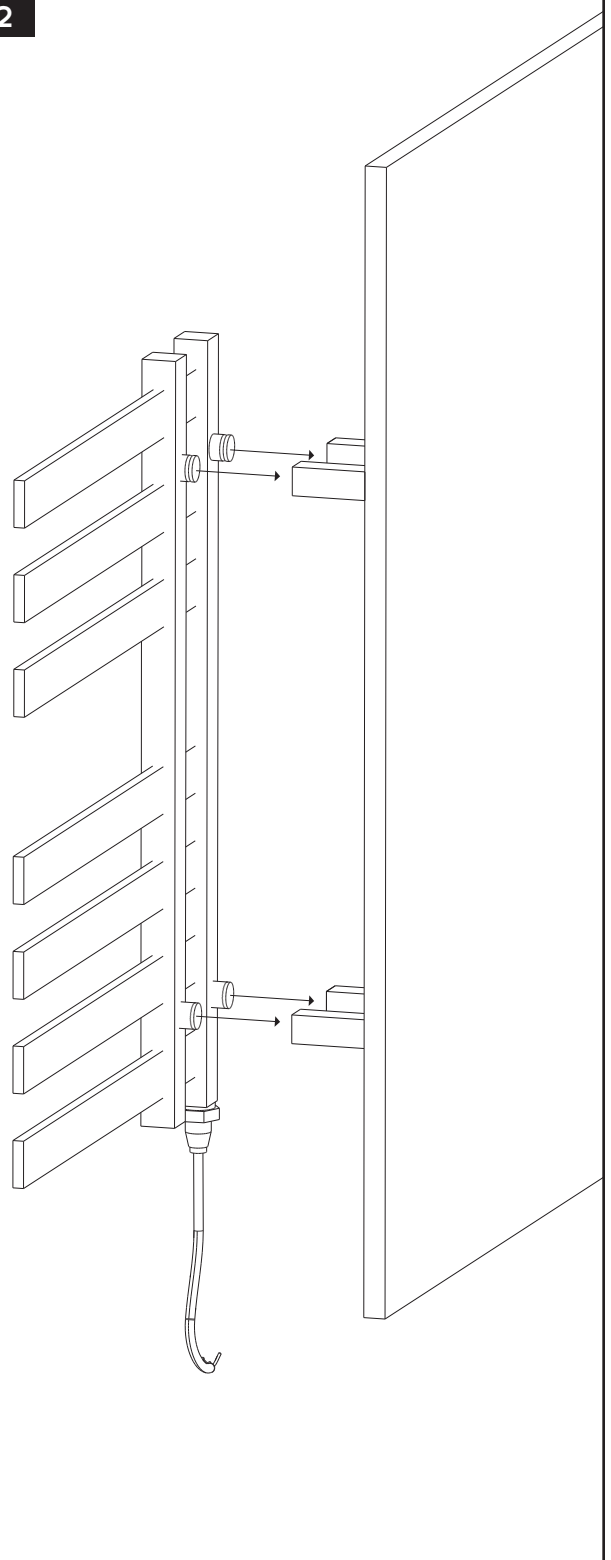
ioni towel warmer,
hardwired

STEP 1

WE RECOMMEND THAT AT LEAST
2 OF THE WALL BRACKETS ARE
SECURED INTO A STUD OR BACKER

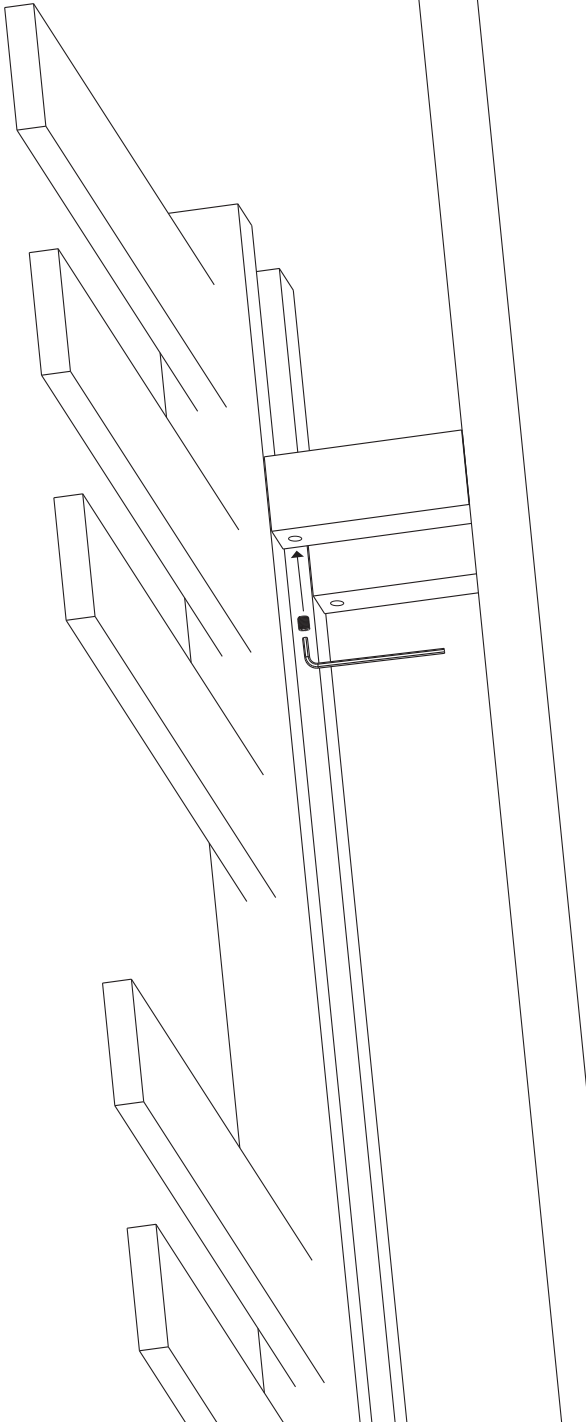


STEP 2

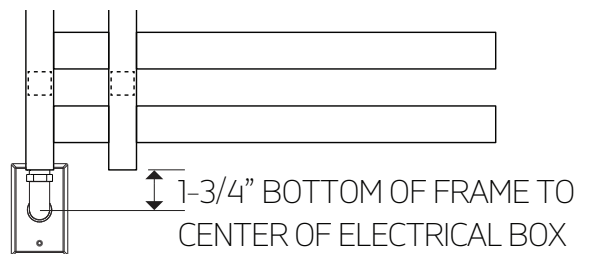
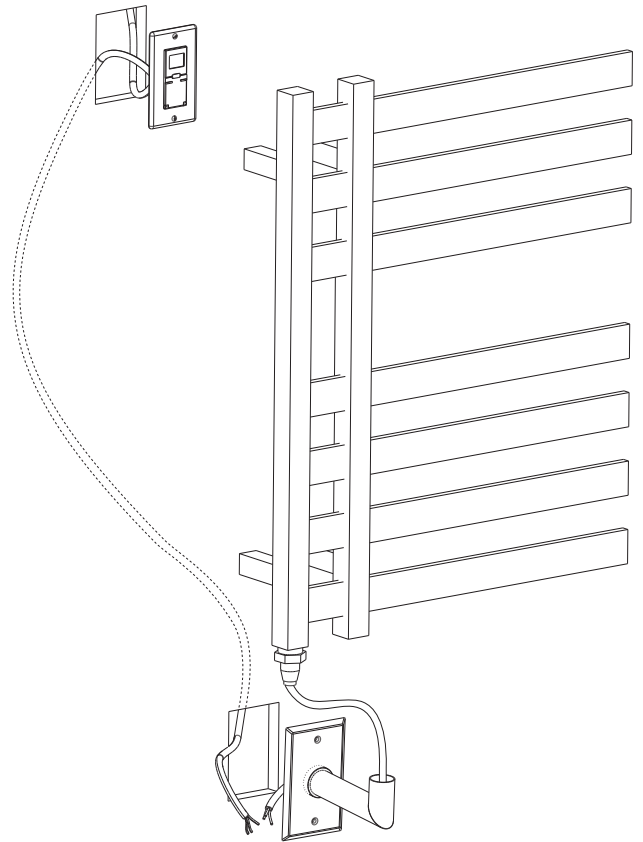


INSTALLATION STEPS

STEP 3 TIGHTEN 4 SET SCREWS,
1 PER BRACKET



STEP 4



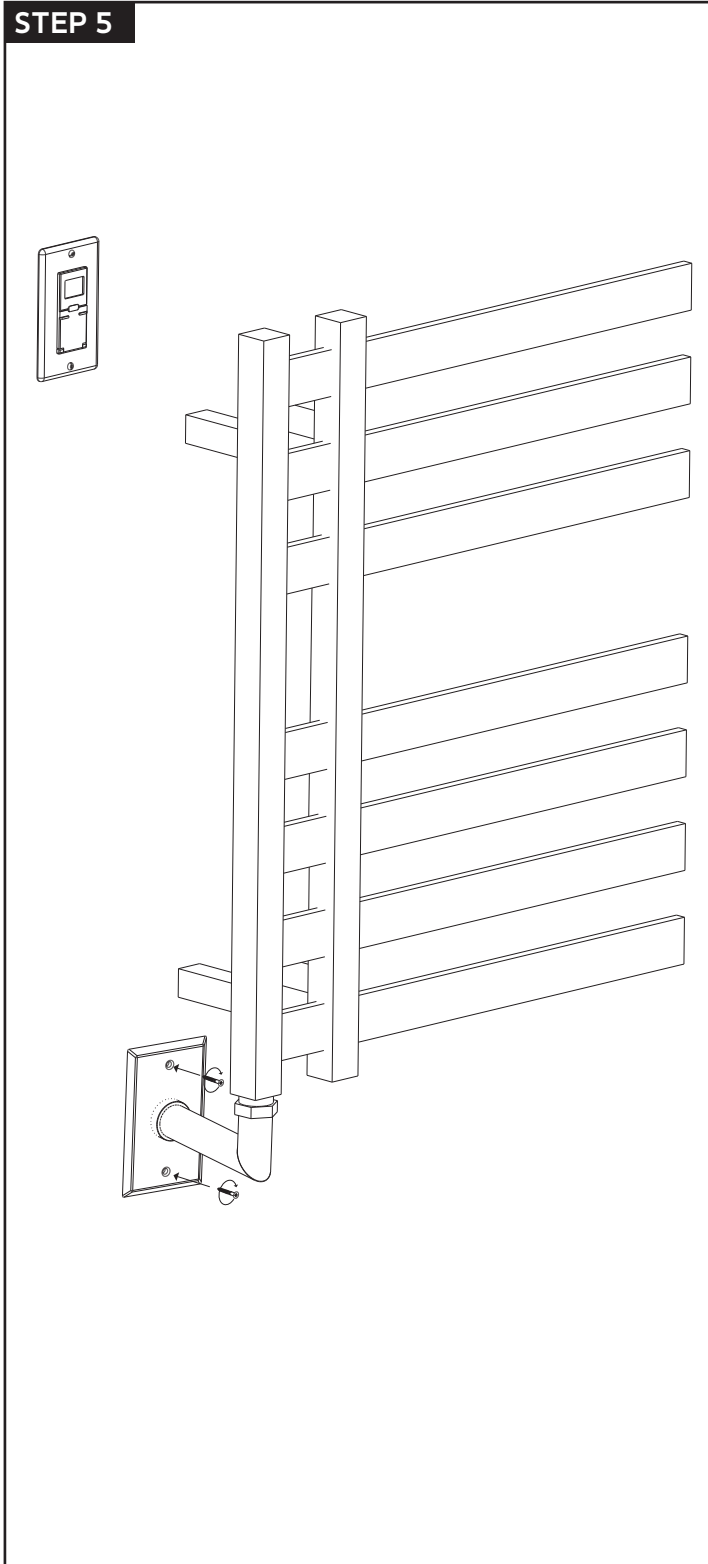
artos[®]

MS06950W

INSTALLATION STEPS

lioni towel warmer,
hardwired

STEP 5

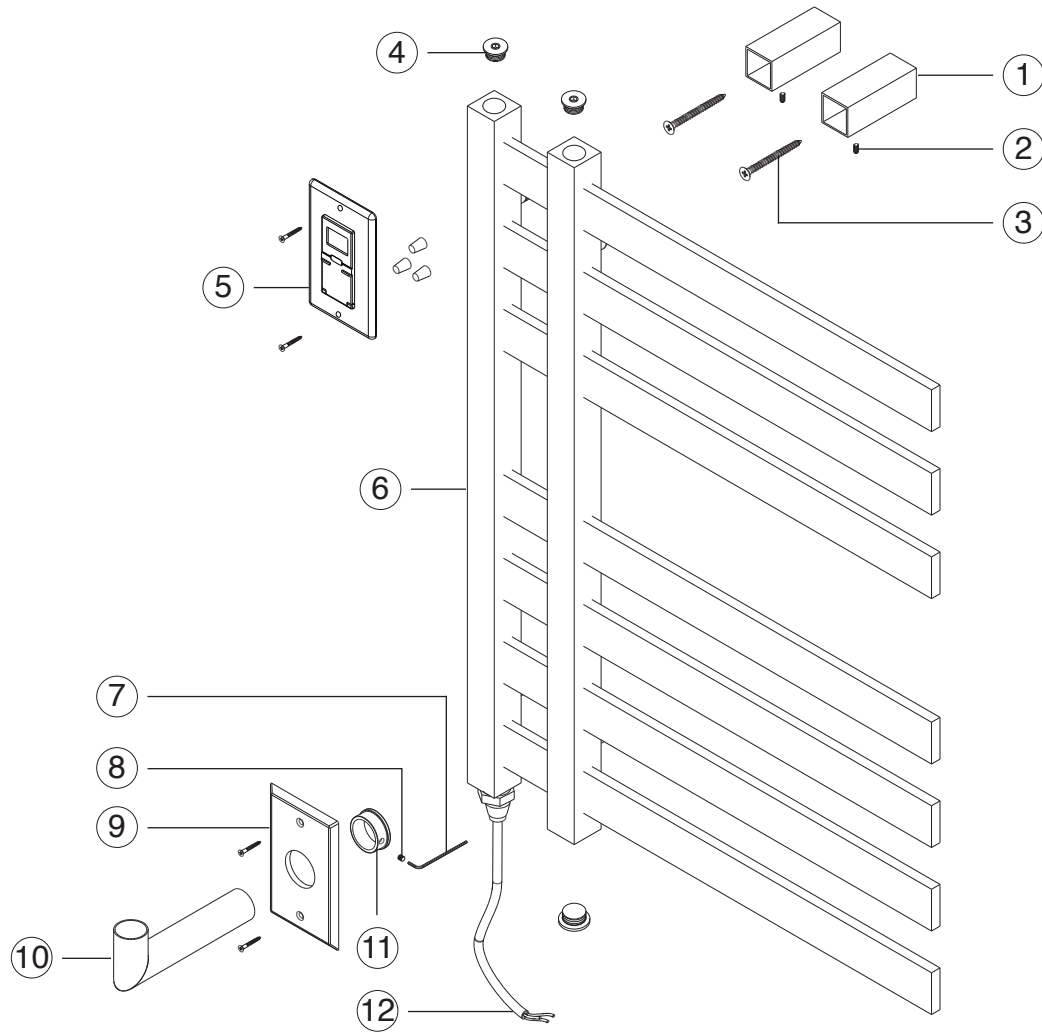


artos[®]

MS06950W

ioni towel warmer,
hardwired

PARTS BREAKDOWN



- | | | | |
|---|-------------------------------------------|---|--------------------------------|
| ① | WALL BRACKET(4) MS06950W XP1 | ⑩ | BACKPLATE MS06950W XP10 |
| ② | BRACKET SET SCREW(4) MS06950W XP2 | ⑪ | ELBOW MS06950W XP11 |
| ③ | BRACKET SCREW(4) MS06950W XP3 | ⑫ | ELEMENT MS06950W XP12 |
| ④ | BLANKING CAP(3) MS06950W XP4 | | |
| ⑤ | TIMER MS06950W XP5 | | |
| ⑥ | TOWEL WARMER MS06950W XP6 | | |
| ⑦ | ALLEN WRENCH MS06950W XP7 | | |
| ⑧ | ELBOW SET SCREW MS06950W XP8 | | |
| ⑨ | ELBOW SECURING SLEEVE MS06950W XP9 | | |

artos[®]

MS06950W

ioni towel warmer,
hardwired

CARE & MAINTENANCE

For best results, keep the following in mind to retain the high quality finish of your artos[®] towel warmer:

- Use a soft, dampened sponge or cloth. On no account should you use an abrasive material such as a brush, scouring pad or steel wool to clean surfaces.
- Test your cleaning agent solution on an inconspicuous area before applying to the entire faucet.
- Wipe surfaces clean and rinse completely with water immediately after applying cleaning agent.
- An ideal cleaning technique is to rinse faucet thoroughly and blot dry any water from the surface after each use.

LIMITED WARRANTY

artos[®] towel warmers are guaranteed for five years against finishing defects and one year for the element as the original purchaser owns it.

Damage caused by accident, misuse, abuse, improper installation, improper cleaning or alteration will void the warranty. This warranty does not cover replacement parts where damage is caused by normal wear and tear. Westover, Inc is not responsible for labor charges, installation or other incidental or consequential costs. Proof of purchase must be provided with all claims.

Please register this product online at WWW.ARTOS.US.COM

ITEM NO. **MS06950W**
SERIAL NO.