

# artos

MS06950P

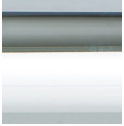
INSTALLATION GUIDE

ioni towel warmer,  
plug-in

BRUSHED NICKEL(BN)



CHROME(CH)



POLISHED NICKEL(PN)



# artos

MS06950P

ioni towel warmer,  
plug-in

## OPERATING SPECIFICATIONS



### FEATURES

Towel warming, drying and auxiliary heating.

### ELEMENT

200W, 110V

### CODES

UL Approved

### REQUIREMENTS

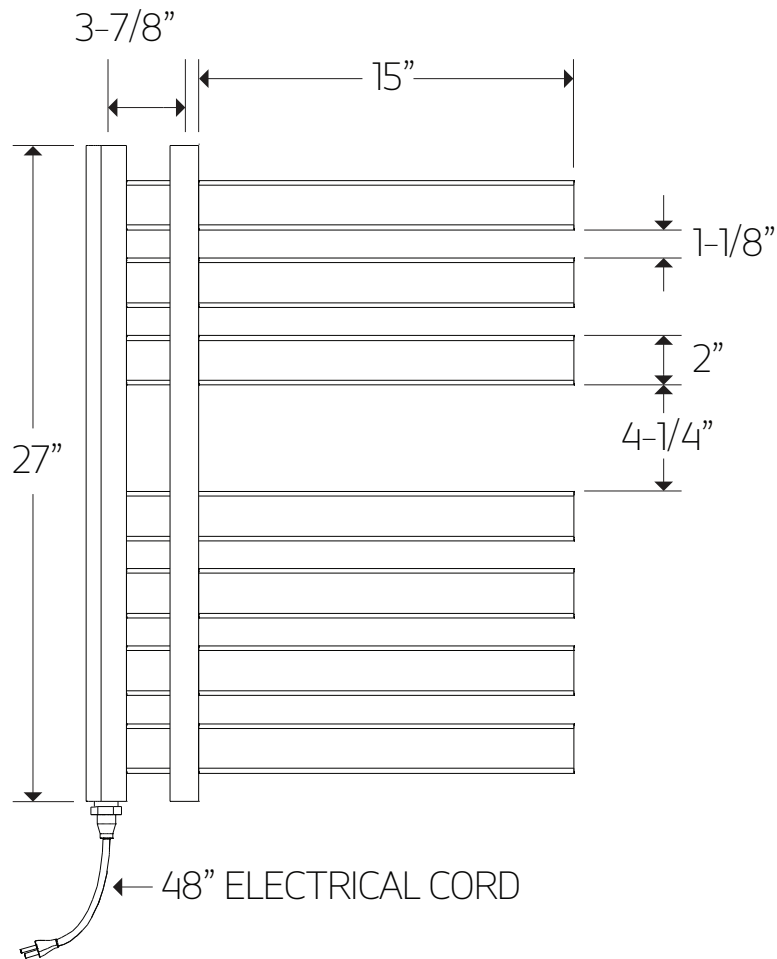
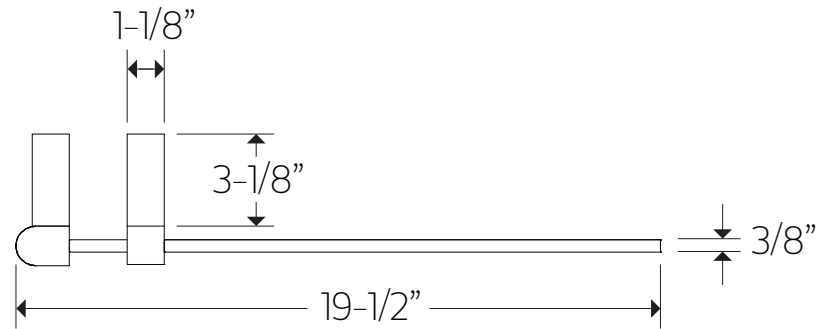
The towel warmer must be installed so that the Element is at the bottom.

# artos

MS06950P

## PRODUCT DIMENSIONS

lioni towel warmer,  
plug-in

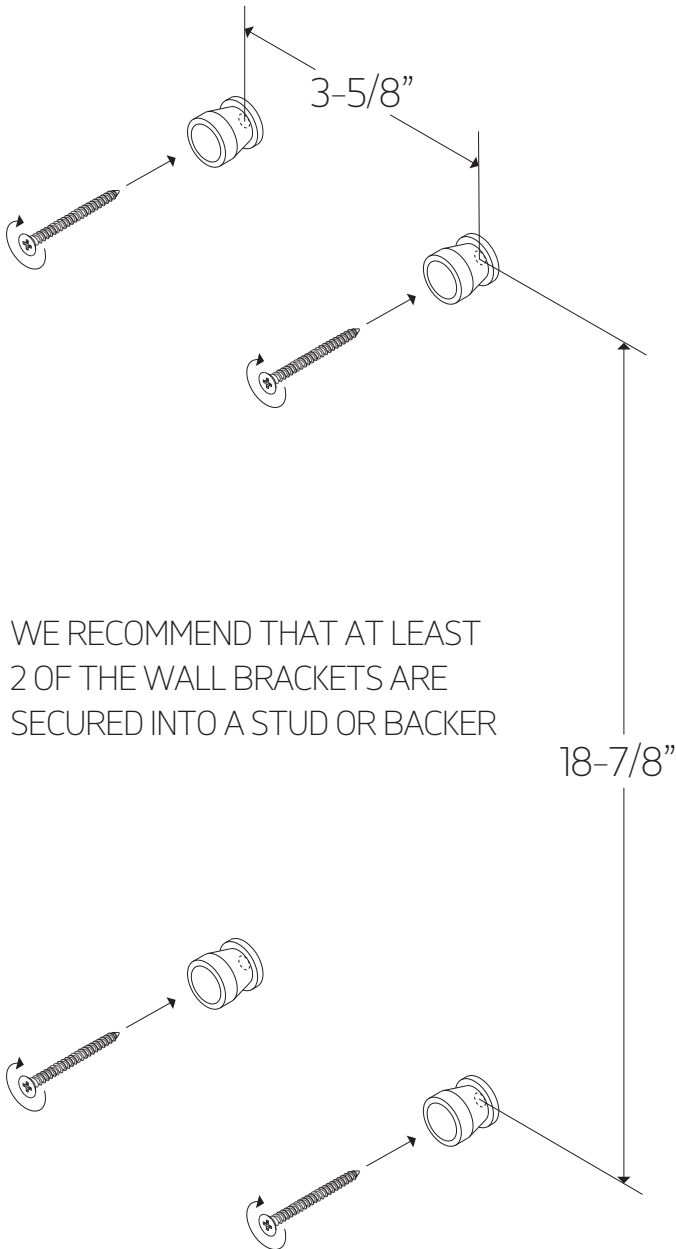


# artos

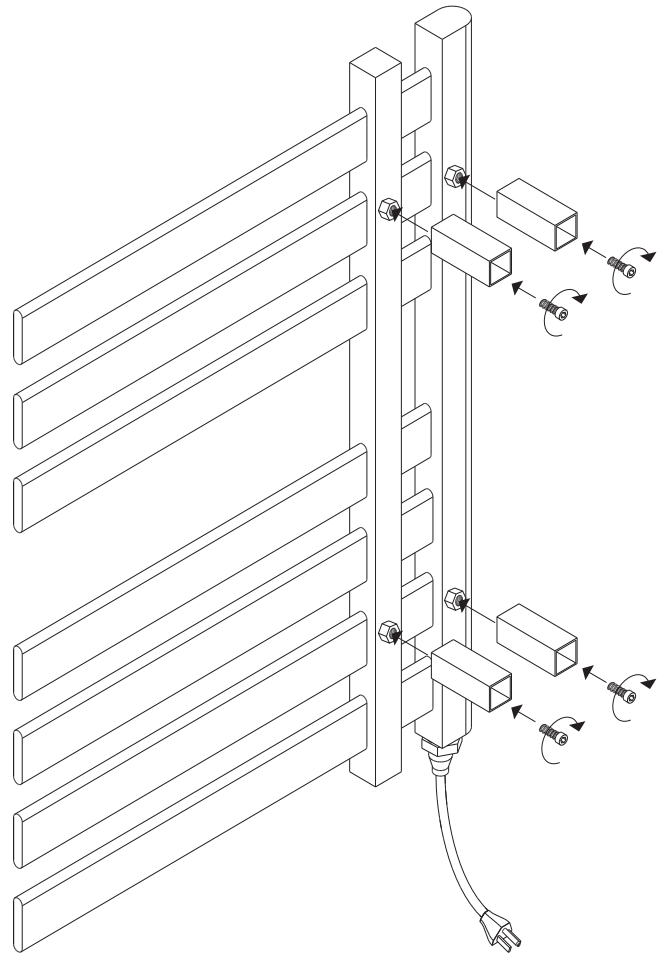
MS06950P

ioni towel warmer,  
plug-in

## STEP 1

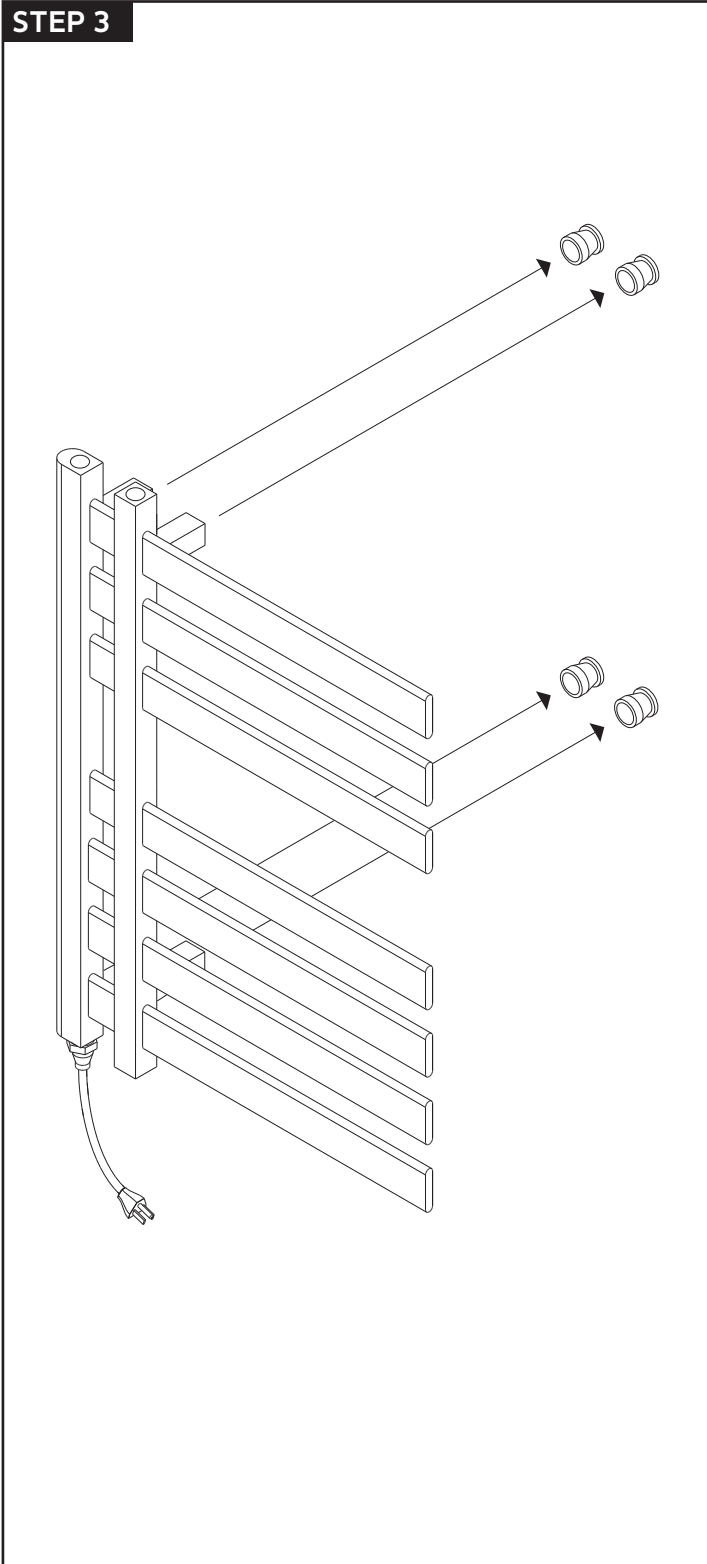


## STEP 2

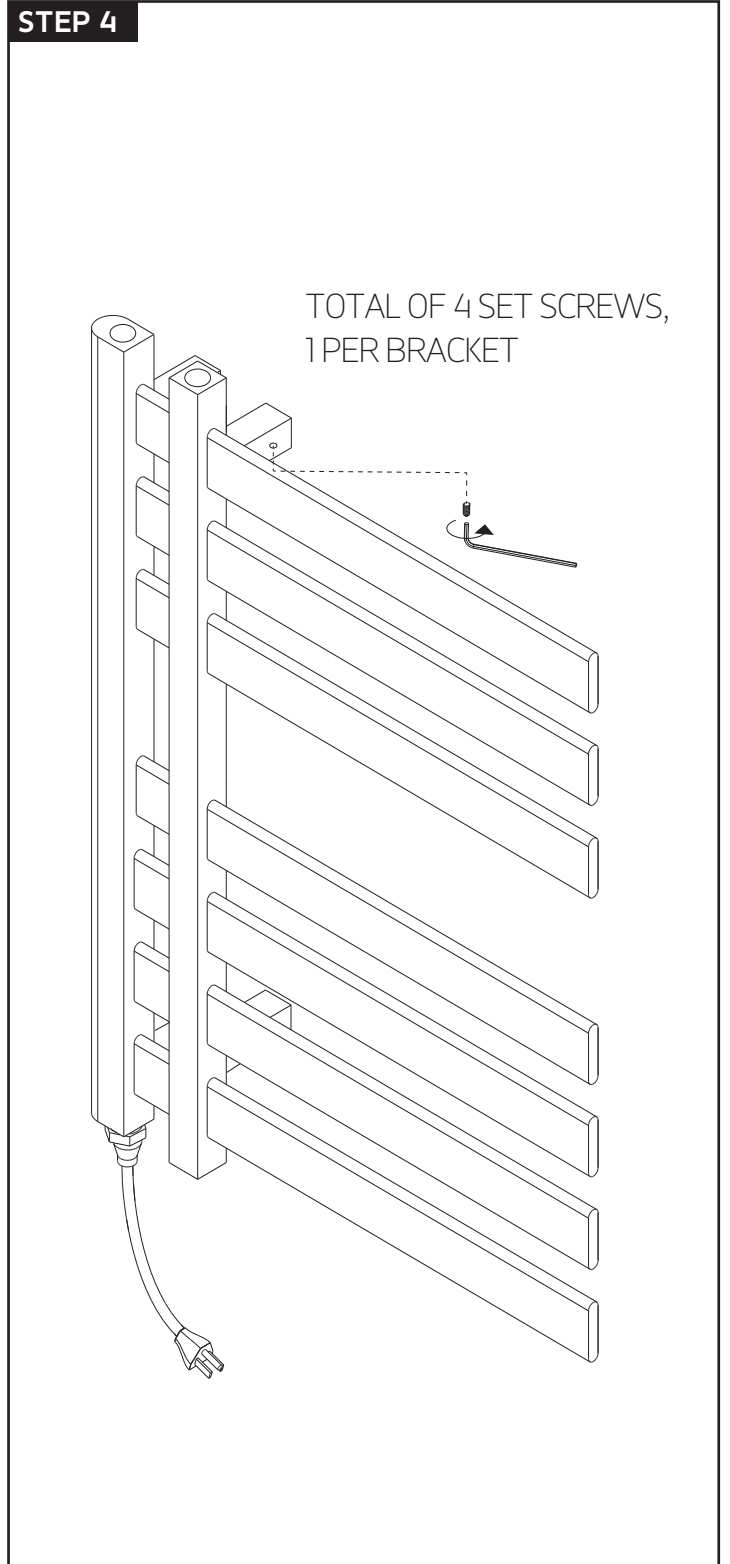


# INSTALLATION STEPS

## STEP 3



## STEP 4



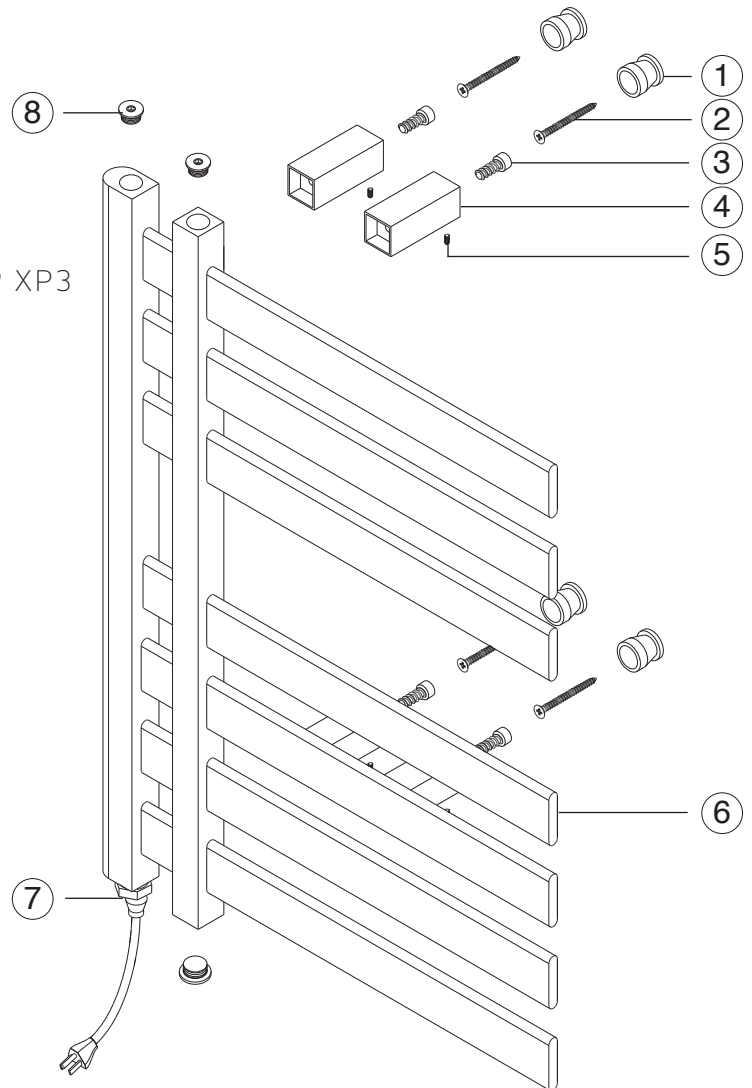
# artos

MS06950P

## PARTS BREAKDOWN

lioni towel warmer,  
plug-in

- ① **WALL BRACKET(4)** MS06950P XP1
- ② **WALL BRACKET SCREW(4)** MS06950P XP2
- ③ **TOWEL WARMER BRACKET BOLT(4)** MS06950P XP3
- ④ **BRACKET LEG(4)** MS06950P XP4
- ⑤ **BRACKET SET SCREW(4)** MS06950P XP5
- ⑥ **TOWEL WARMER** MS06950P XP6
- ⑦ **ELEMENT** MS06950P XP7
- ⑧ **BLANKING CAP(3)** MS06950P XP8



# artos

MS06950P

ioni towel warmer,  
plug-in

## CARE & MAINTENANCE

For best results, keep the following in mind to retain the high quality finish of your artos® towel warmer:

- Use a soft, dampened sponge or cloth. On no account should you use an abrasive material such as a brush, scouring pad or steel wool to clean surfaces.
- Test your cleaning agent solution on an inconspicuous area before applying to the entire faucet.
- Wipe surfaces clean and rinse completely with water immediately after applying cleaning agent.
- An ideal cleaning technique is to rinse faucet thoroughly and blot dry any water from the surface after each use.

## LIMITED WARRANTY

**artos® towel warmers are guaranteed for five years against finishing defects and one year for the element as the original purchaser owns it.**

Damage caused by accident, misuse, abuse, improper installation, improper cleaning or alteration will void the warranty. This warranty does not cover replacement parts where damage is caused by normal wear and tear. Westover, Inc is not responsible for labor charges, installation or other incidental or consequential costs. Proof of purchase must be provided with all claims.

Please register this product online at [WWW.ARTOS.US.COM](http://WWW.ARTOS.US.COM)

ITEM NO. **MS06950P**  
SERIAL NO.