

artos[®]

MR12060W

INSTALLATION GUIDE

ryton towel warmer,
hardwired

BRUSHED NICKEL(BN)



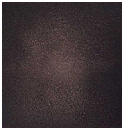
CHROME(CH)



POLISHED NICKEL(PN)



OIL RUBBED BRONZE(OB)



BLACK(BK)



artos[®]

MR12060W

ryton towel warmer,
hardwired

OPERATING SPECIFICATIONS



FEATURES

Towel warming, drying and auxiliary heating.

ELEMENT

300W, 110V

CODES

UL Approved

CSA-US Approved

REQUIREMENTS

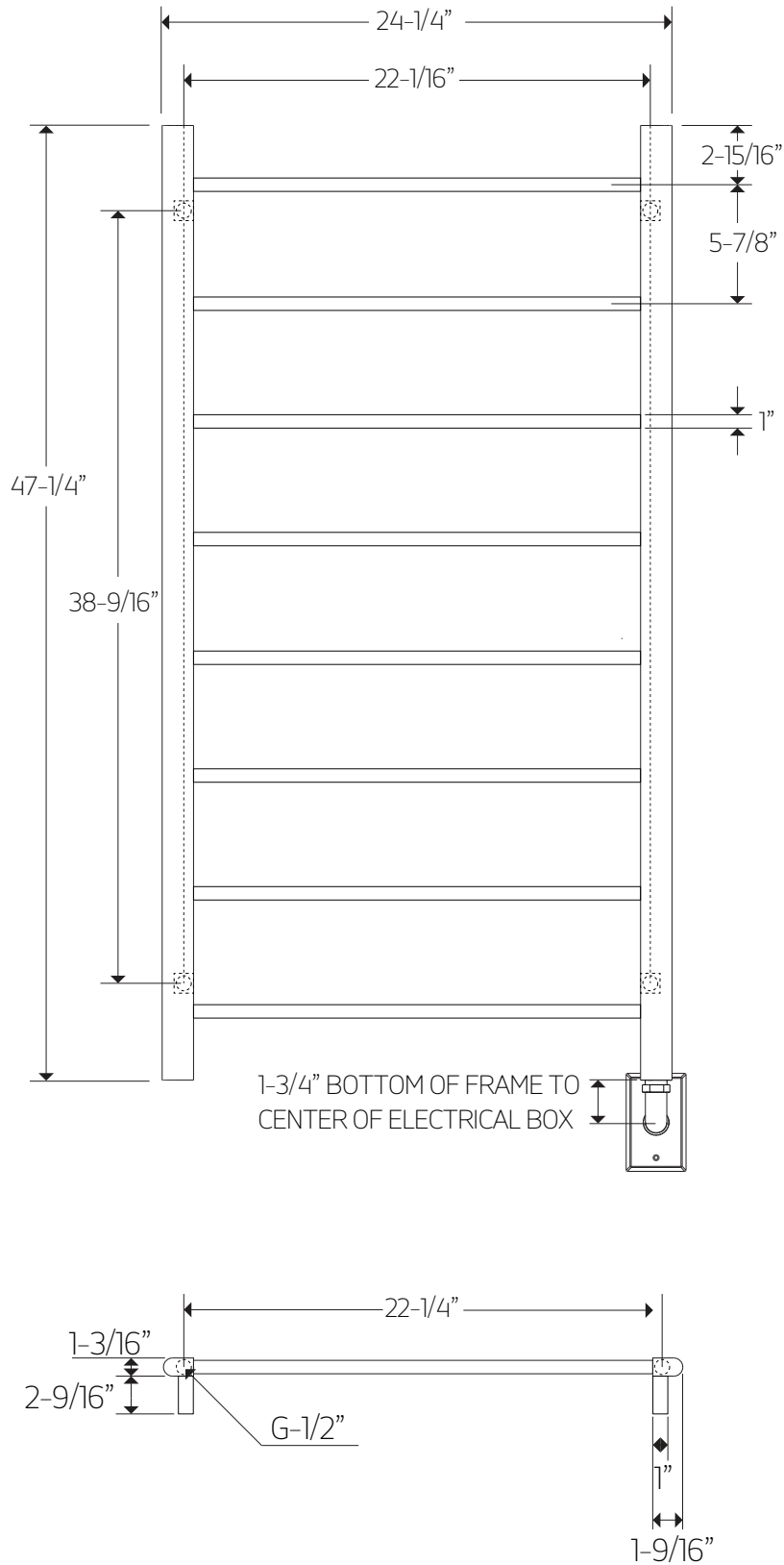
The towel warmer must be installed so that the Element is at the bottom.

artos[®]

MR12060W

PRODUCT DIMENSIONS

ryton towel warmer,
hardwired



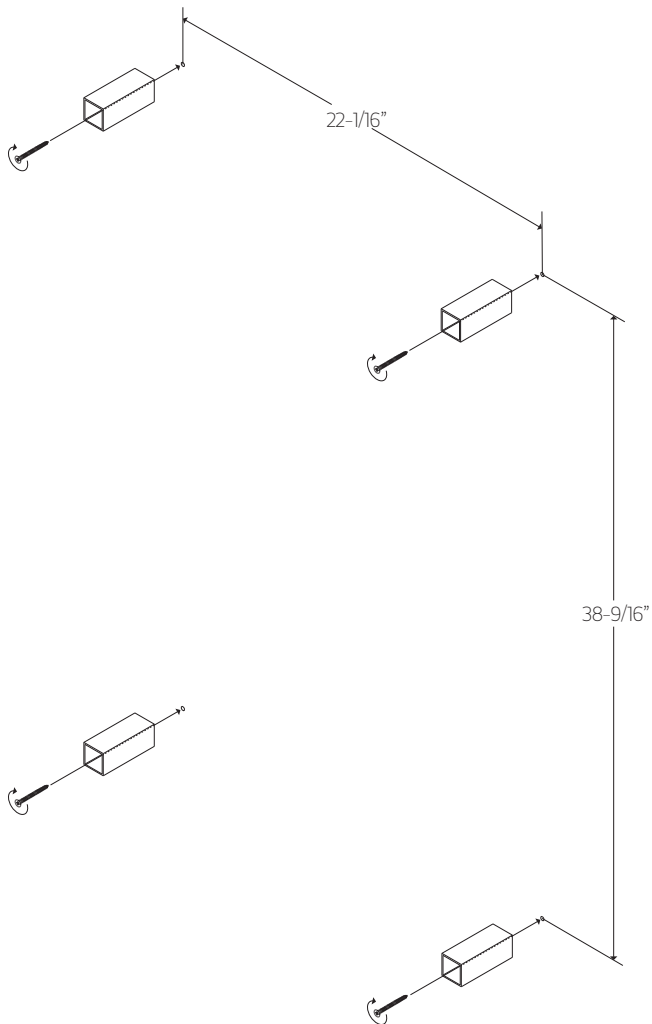
artos[®]

MR12060W

ryton towel warmer,
hardwired

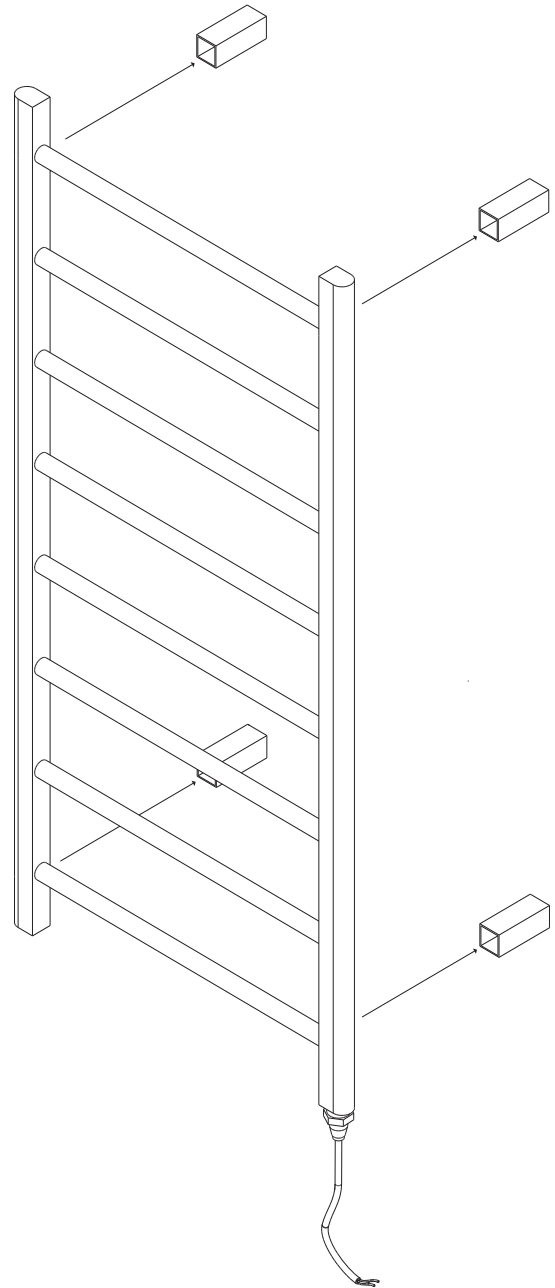
STEP 1

*ALL DIMENSIONS ARE APPROXIMATE FOR
BLOCKING PURPOSES. PLEASE MEASURE UNIT



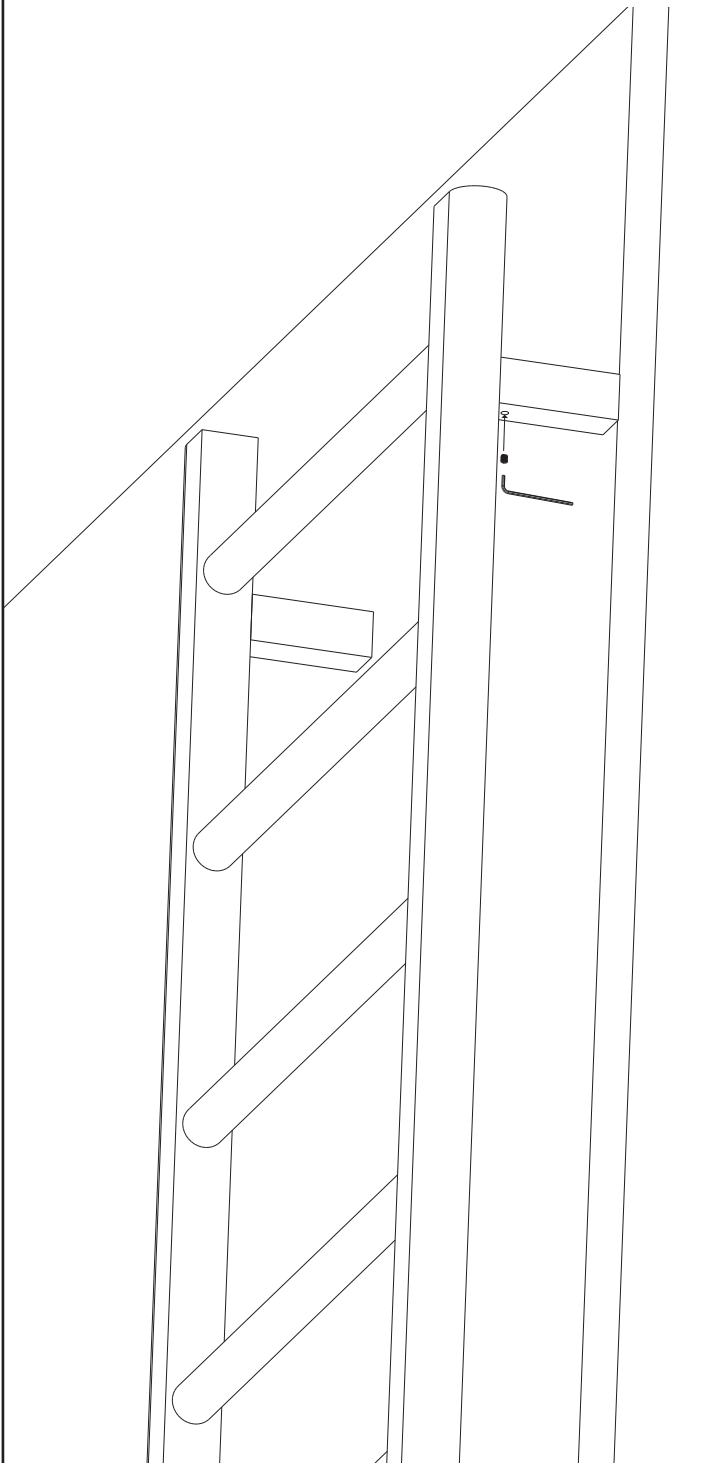
WE RECOMMEND THAT AT LEAST
2 OF THE WALL BRACKETS ARE
SECURED INTO A STUD OR BACKER

STEP 2



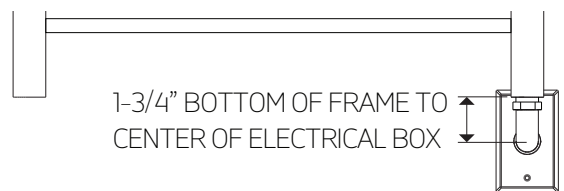
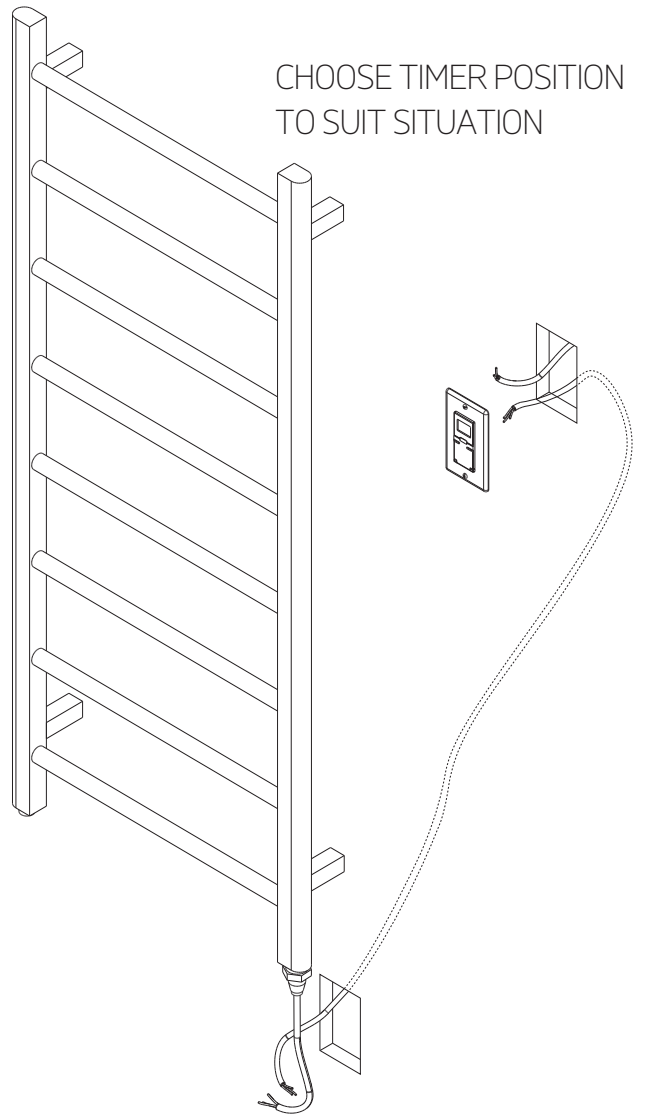
INSTALLATION STEPS

STEP 3 TOTAL OF 4 SET SCREWS,
1 PER BRACKET



STEP 4

CHOOSE TIMER POSITION
TO SUIT SITUATION



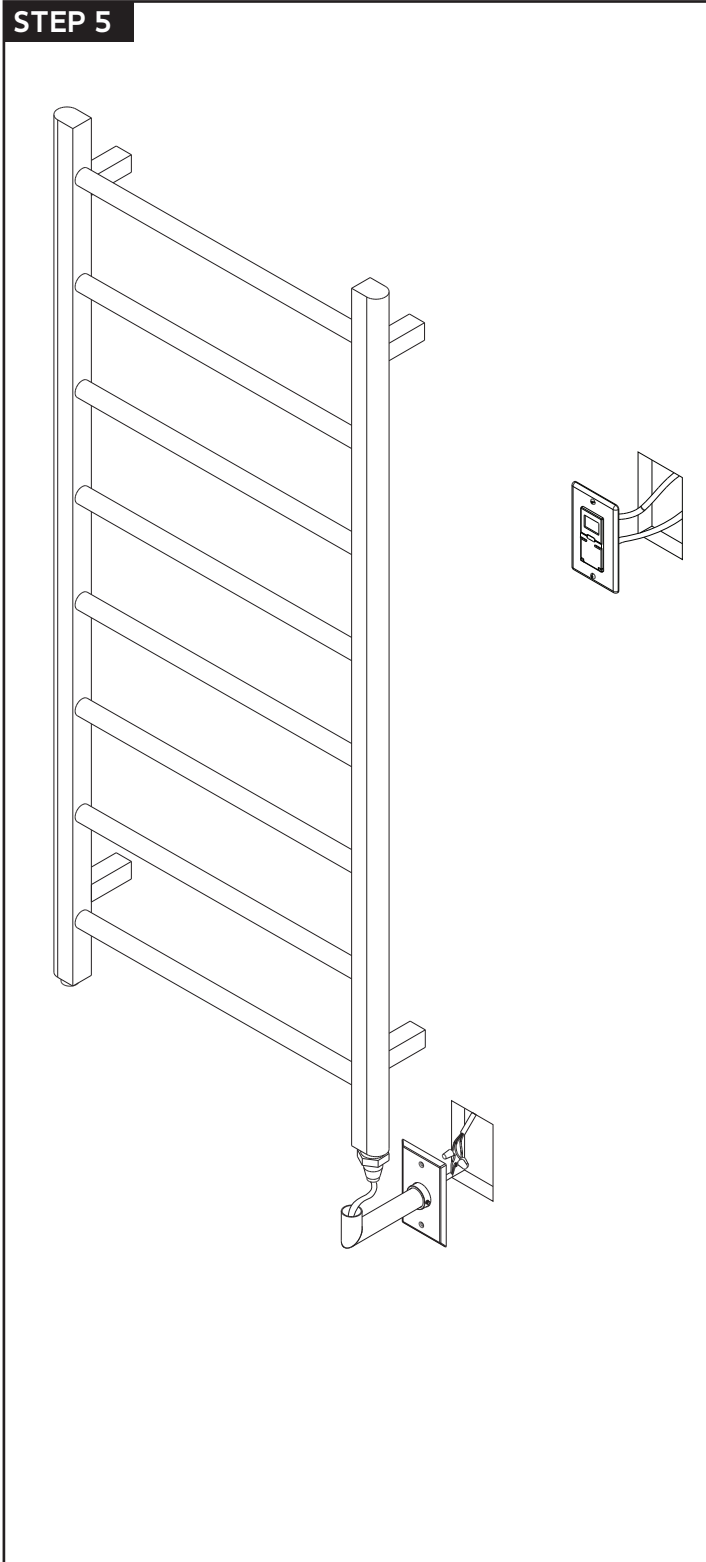
artos[®]

MR12060W

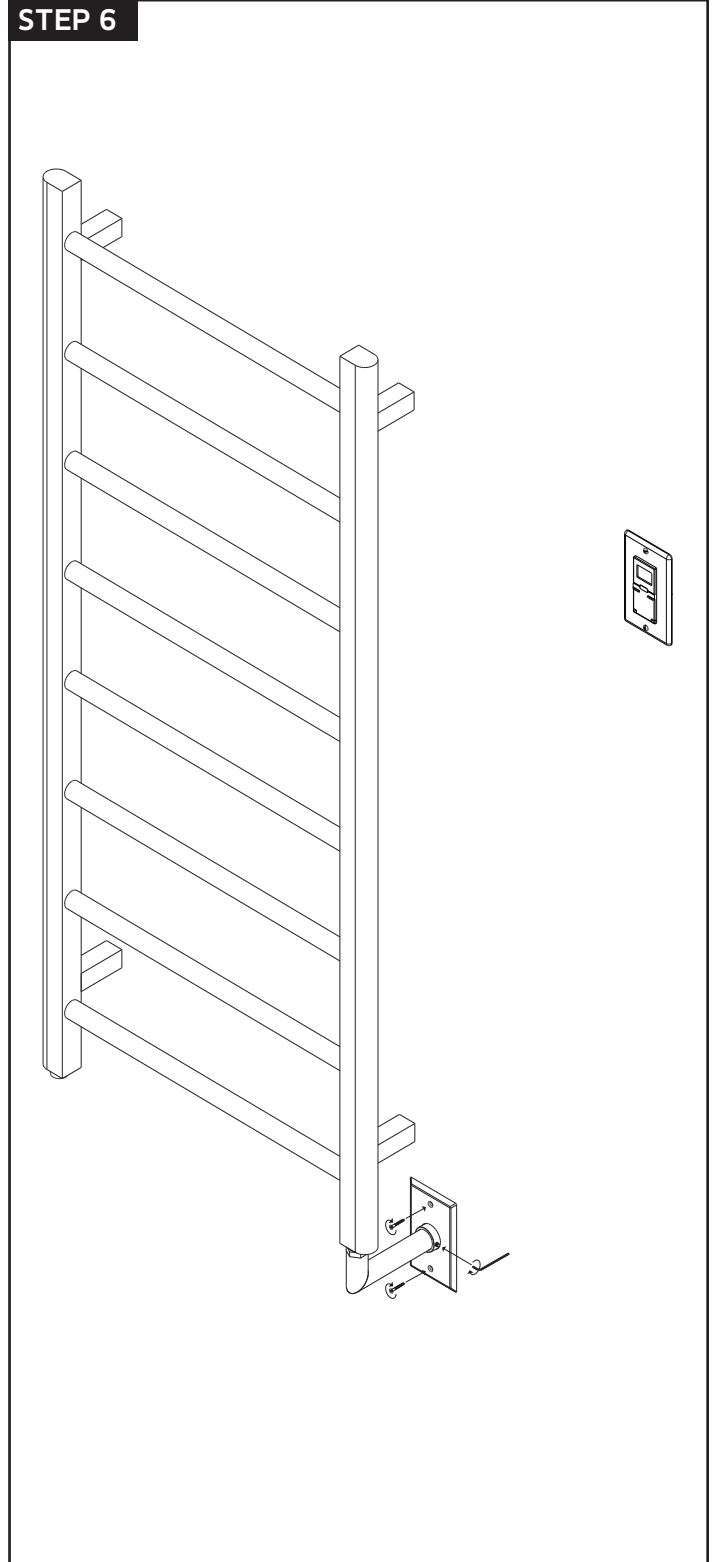
ryton towel warmer,
hardwired

INSTALLATION STEPS

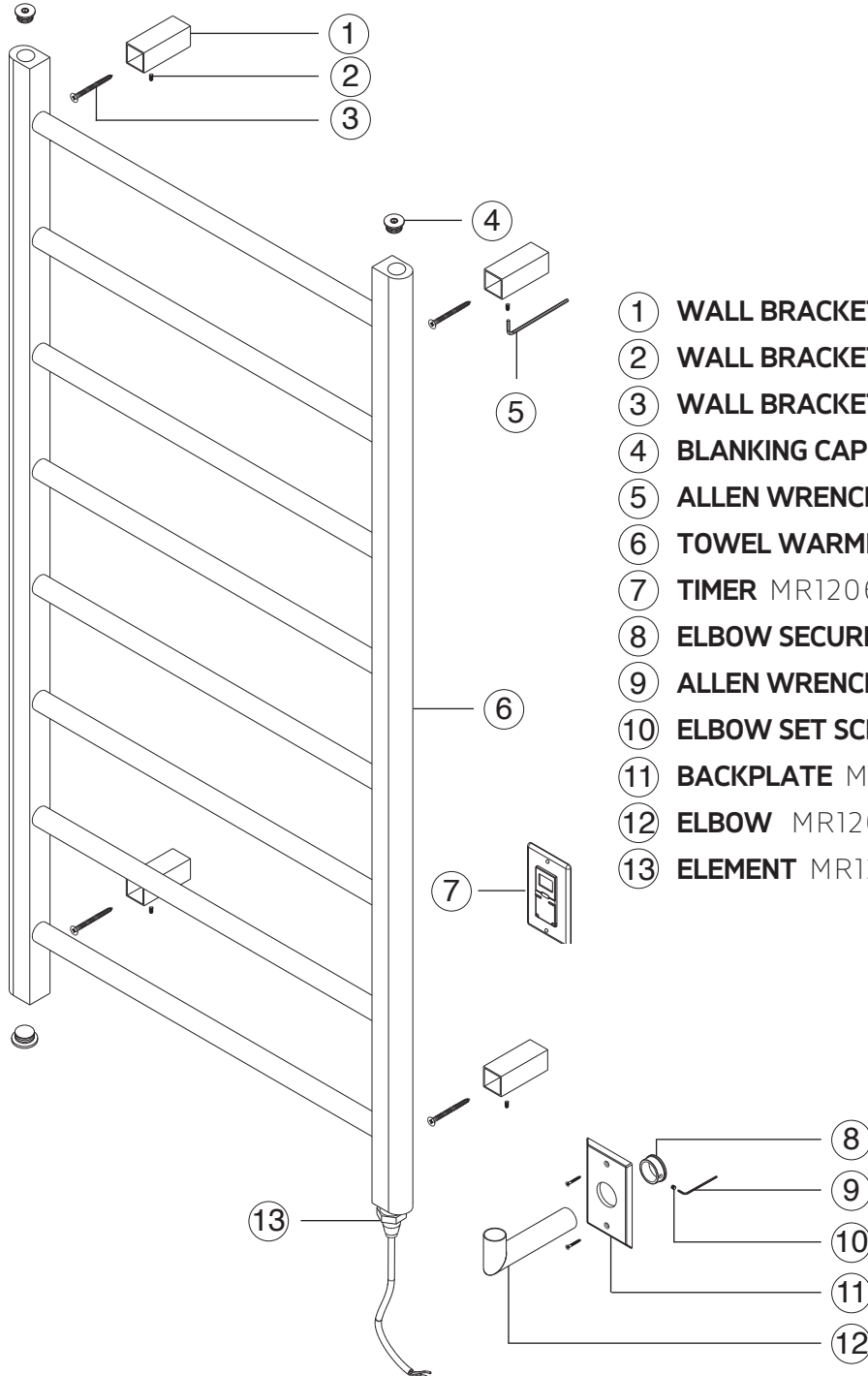
STEP 5



STEP 6



ryton towel warmer,
hardwired



- ① **WALL BRACKET(4)** MR12060W XP1
- ② **WALL BRACKET SET SCREW(4)** MR12060W XP2
- ③ **WALL BRACKET SCREW(4)** MR12060W XP3
- ④ **BLANKING CAP(3)** MR12060W XP4
- ⑤ **ALLEN WRENCH** MR12060W XP5
- ⑥ **TOWEL WARMER** MR12060W XP6
- ⑦ **TIMER** MR12060W XP7
- ⑧ **ELBOW SECURING SLEEVE** MR12060W XP8
- ⑨ **ALLEN WRENCH** MR12060W XP9
- ⑩ **ELBOW SET SCREW** MR12060W XP10
- ⑪ **BACKPLATE** MR12060W XP11
- ⑫ **ELBOW** MR12060W XP12
- ⑬ **ELEMENT** MR12060W XP13

artos[®]

MR12060W

ryton towel warmer,
hardwired

CARE & MAINTENANCE

For best results, keep the following in mind to retain the high quality finish of your artos[®] towel warmer:

- Use a soft, dampened sponge or cloth. On no account should you use an abrasive material such as a brush, scouring pad or steel wool to clean surfaces.
- Test your cleaning agent solution on an inconspicuous area before applying to the entire faucet.
- Wipe surfaces clean and rinse completely with water immediately after applying cleaning agent.
- An ideal cleaning technique is to rinse faucet thoroughly and blot dry any water from the surface after each use.

LIMITED WARRANTY

artos[®] towel warmers are guaranteed for five years against finishing defects and one year for the element as the original purchaser owns it.

Damage caused by accident, misuse, abuse, improper installation, improper cleaning or alteration will void the warranty. This warranty does not cover replacement parts where damage is caused by normal wear and tear. Westover, Inc is not responsible for labor charges, installation or other incidental or consequential costs. Proof of purchase must be provided with all claims.

Please register this product online at WWW.ARTOS.US.COM

ITEM NO. **MR12060W**
SERIAL NO.