

# artos

MR12060P

INSTALLATION GUIDE

ryton towel warmer,  
plug-in

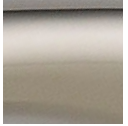
BRUSHED NICKEL(BN)



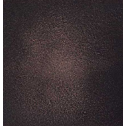
CHROME(CH)



POLISHED NICKEL(PN)



OIL RUBBED BRONZE(OB)



# artos

MR12060P

ryton towel warmer,  
plug-in

## OPERATING SPECIFICATIONS



### FEATURES

Towel warming, drying and auxiliary heating.

### ELEMENT

300W, 110V

### CODES

UL Approved  
CSA-US Approved

### REQUIREMENTS

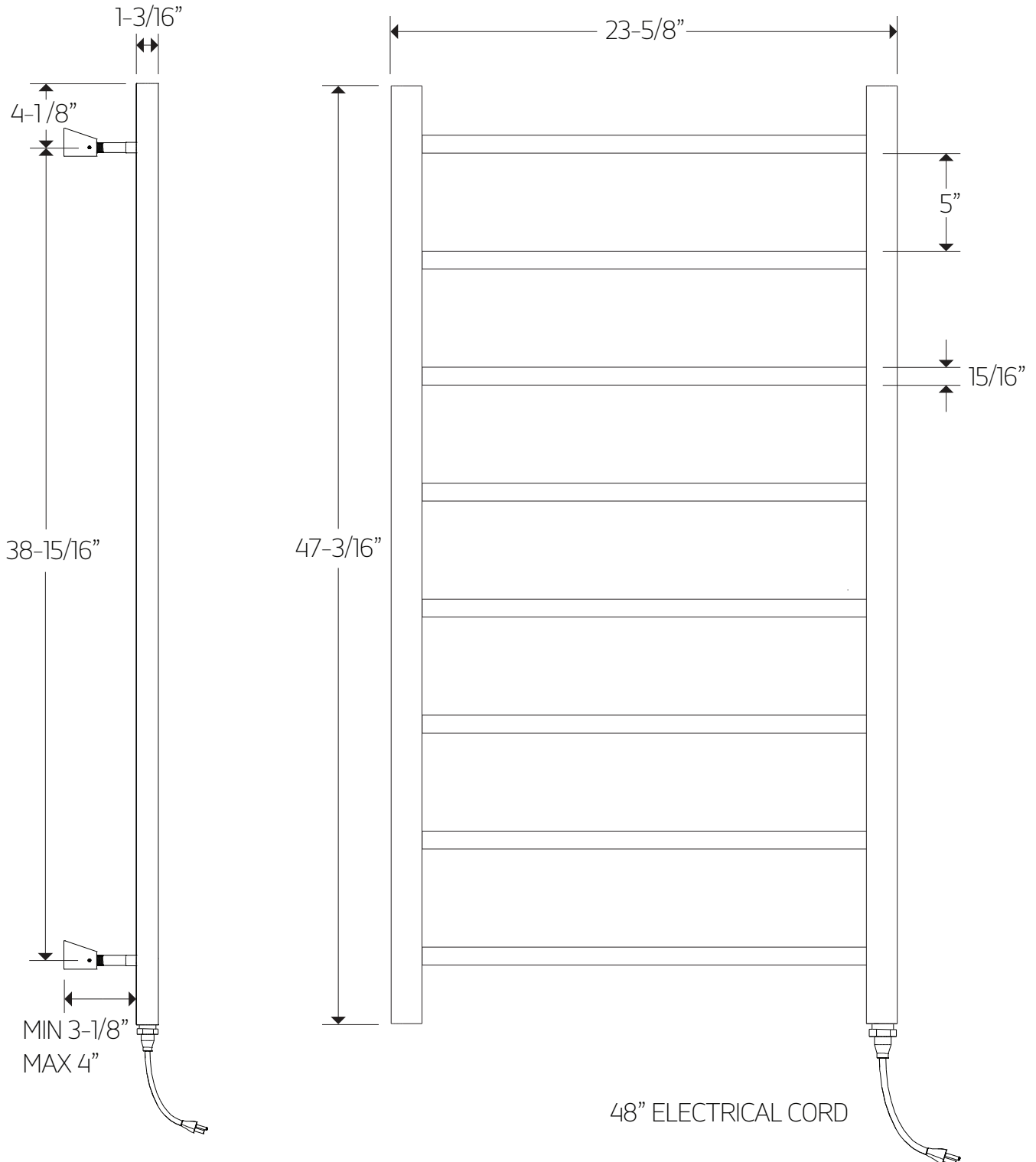
The towel warmer must be installed so that the Element is at the bottom.

# artos

MR12060P

## PRODUCT DIMENSIONS

ryton towel warmer,  
plug-in

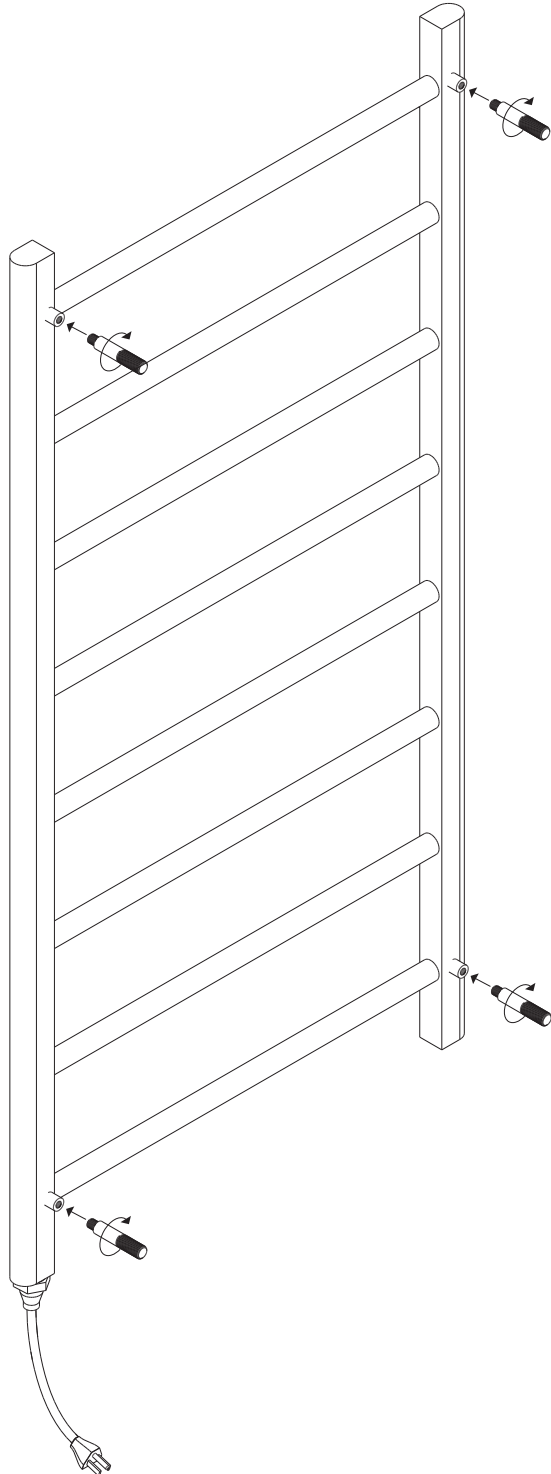


# artos

MR12060P

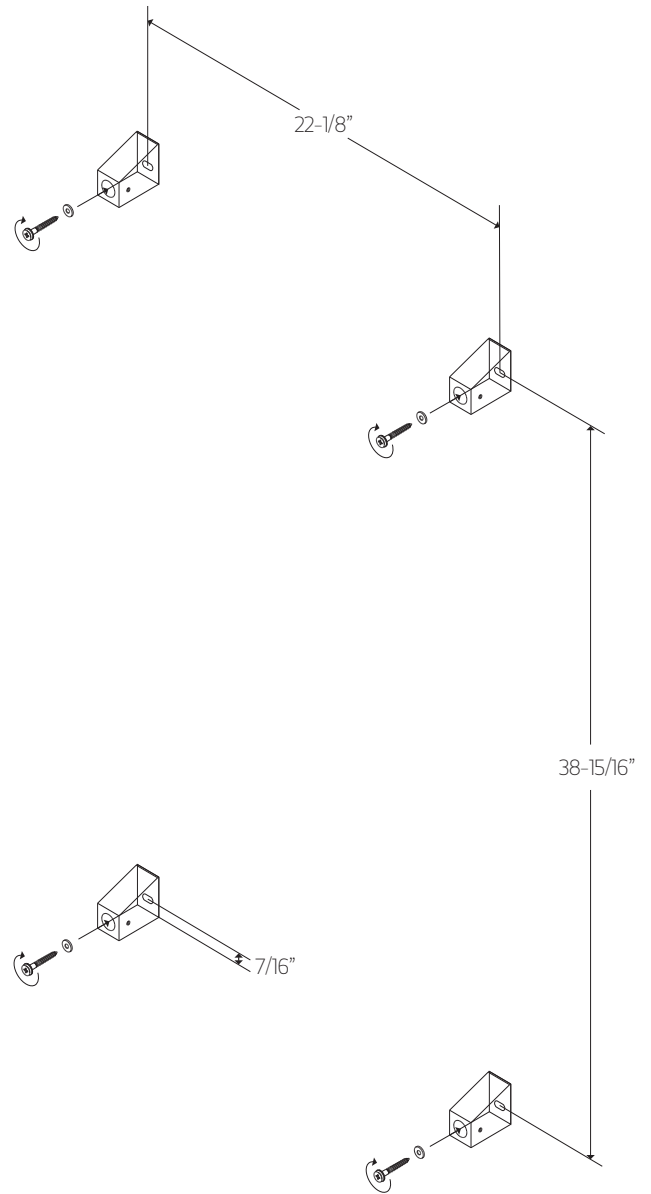
ryton towel warmer,  
plug-in

## STEP 1



## STEP 2

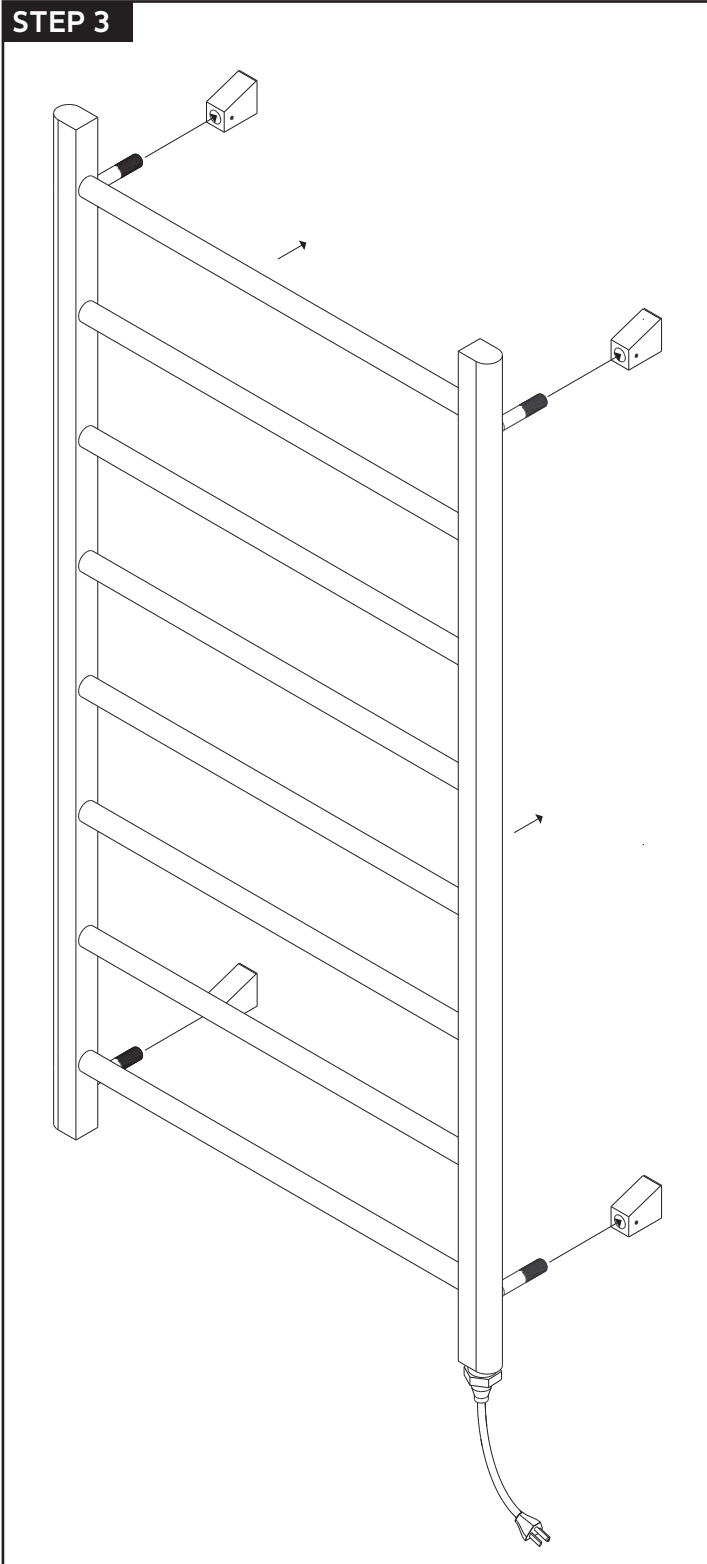
\*ALL DIMENSIONS ARE APPROXIMATE



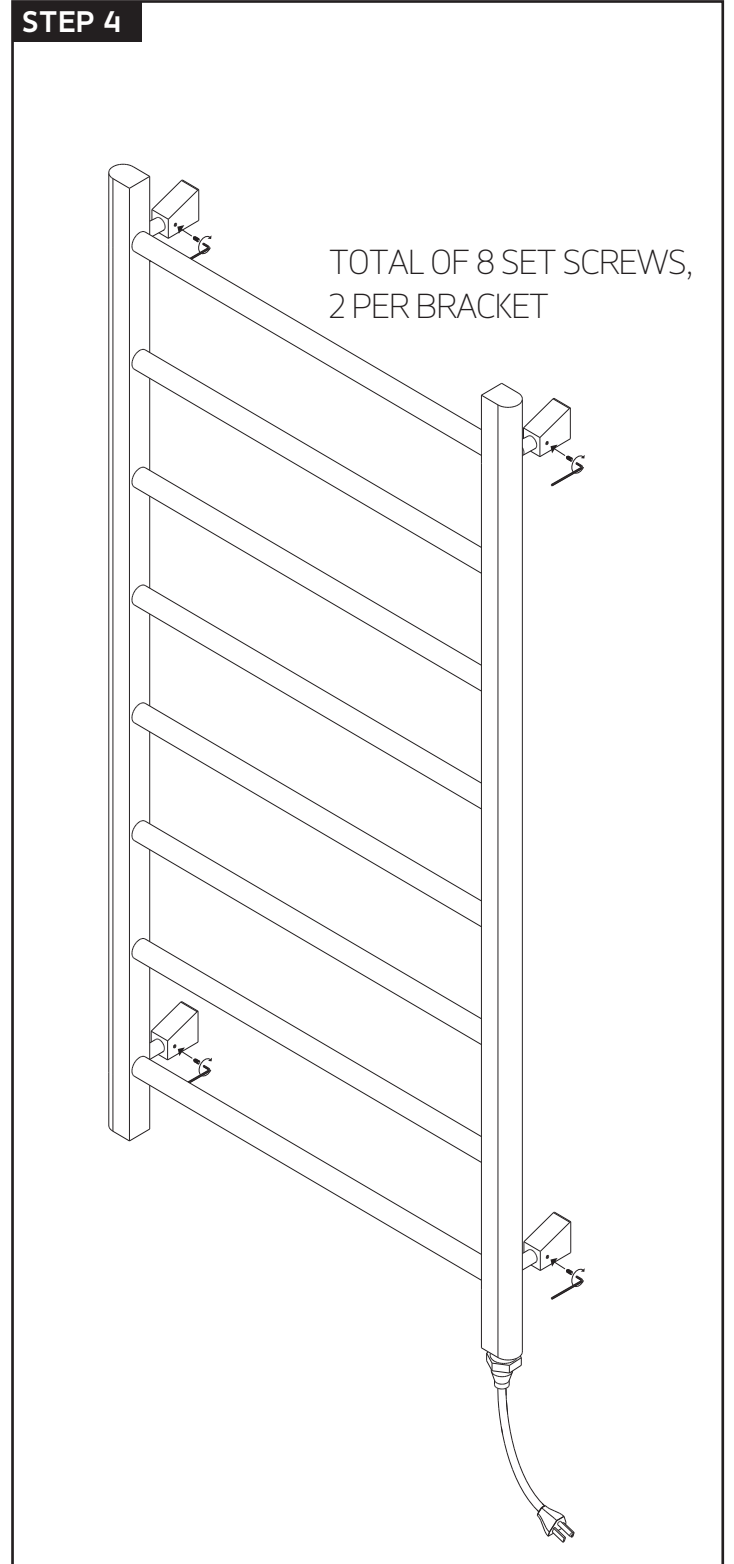
WE RECOMMEND THAT AT LEAST  
2 OF THE WALL BRACKETS ARE  
SECURED INTO A STUD OR BACKER

# INSTALLATION STEPS

## STEP 3



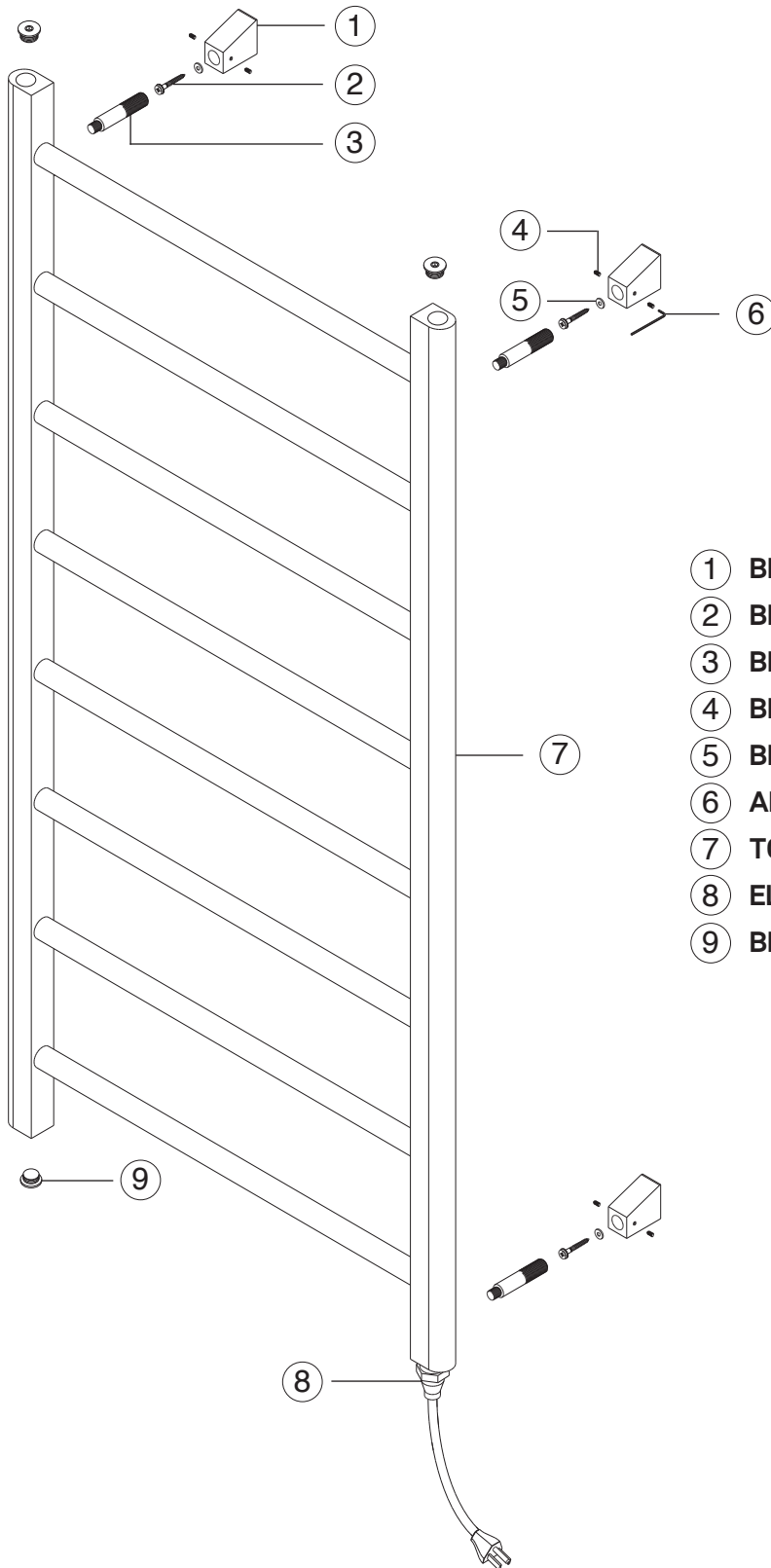
## STEP 4



# artos

MR12060P

ryton towel warmer,  
plug-in



- ① **BRACKETS(4)** MR12060P XP1
- ② **BRACKET SCREWS(4)** MR12060P XP2
- ③ **BRACKET LEGS(4)** MR12060P XP3
- ④ **BRACKET SET SCREWS(8)** MR12060P XP4
- ⑤ **BRACKET WASHERS(4)** MR12060P XP5
- ⑥ **ALLEN WRENCH** MR12060P XP6
- ⑦ **TOWEL WARMER** MR12060P XP7
- ⑧ **ELEMENT** MR12060P XP8
- ⑨ **BLANKING CAP(3)** MR12060P XP9

# artos

MR12060P

ryton towel warmer,  
plug-in

## CARE & MAINTENANCE

For best results, keep the following in mind to retain the high quality finish of your artos® towel warmer:

- Use a soft, dampened sponge or cloth. On no account should you use an abrasive material such as a brush, scouring pad or steel wool to clean surfaces.
- Test your cleaning agent solution on an inconspicuous area before applying to the entire faucet.
- Wipe surfaces clean and rinse completely with water immediately after applying cleaning agent.
- An ideal cleaning technique is to rinse faucet thoroughly and blot dry any water from the surface after each use.

## LIMITED WARRANTY

artos® towel warmers are guaranteed for five years against finishing defects and one year for the element as the original purchaser owns it.

Damage caused by accident, misuse, abuse, improper installation, improper cleaning or alteration will void the warranty. This warranty does not cover replacement parts where damage is caused by normal wear and tear. Westover, Inc is not responsible for labor charges, installation or other incidental or consequential costs. Proof of purchase must be provided with all claims.

Please register this product online at [WWW.ARTOS.US.COM](http://WWW.ARTOS.US.COM)

ITEM NO. **MR12060P**  
SERIAL NO.