

# artos<sup>®</sup>

## MR12045W

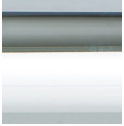
## INSTALLATION GUIDE

ryton towel warmer,  
hardwired

BRUSHED NICKEL(BN)



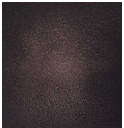
CHROME(CH)



POLISHED NICKEL(PN)



OIL RUBBED BRONZE(OB)



BLACK(BK)



# artos<sup>®</sup>

## MR12045W

ryton towel warmer,  
hardwired

## OPERATING SPECIFICATIONS



### FEATURES

Towel warming, drying and auxiliary heating.

### ELEMENT

300W, 110V

### CODES

UL Approved  
CSA-US Approved

### REQUIREMENTS

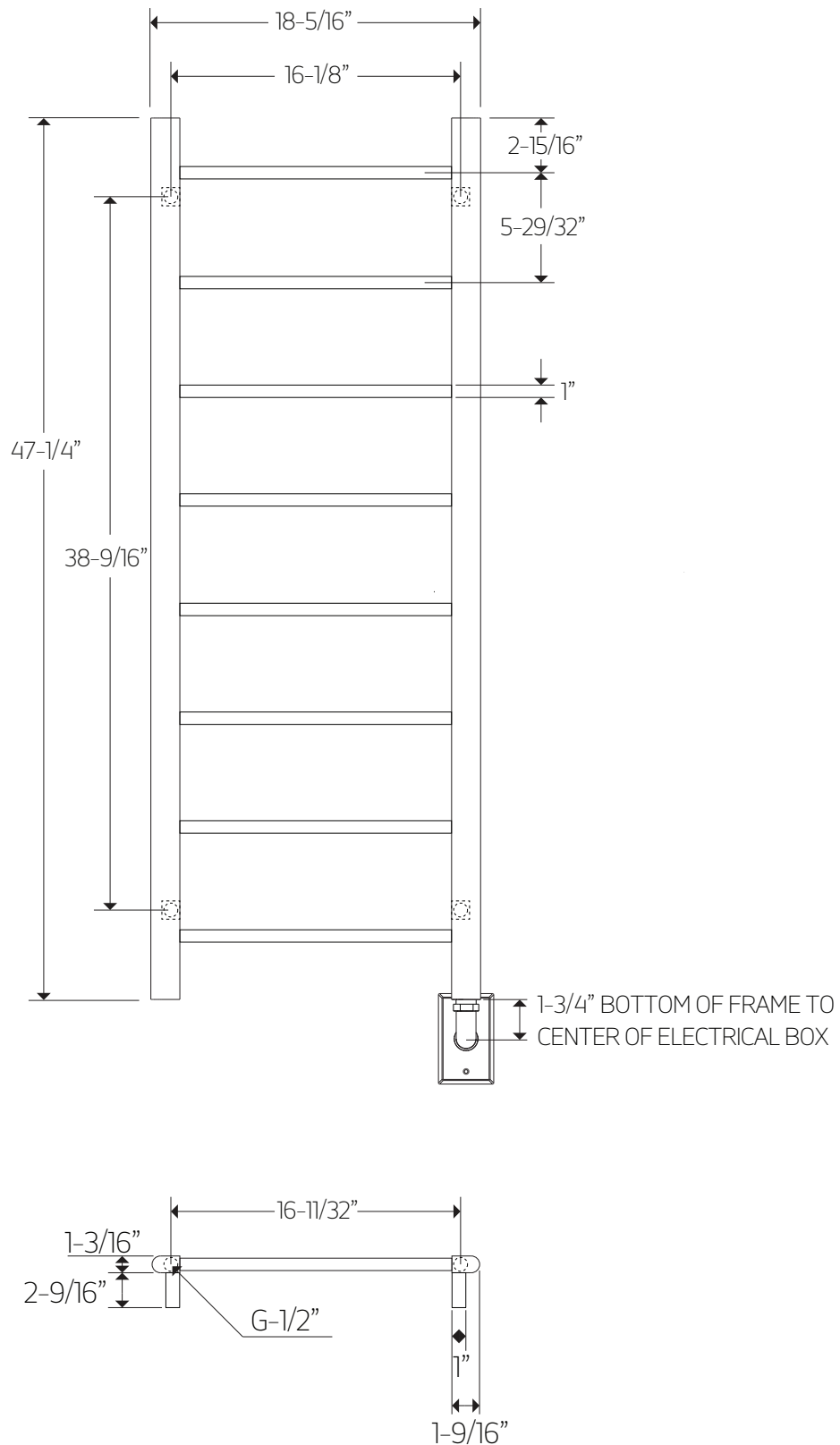
The towel warmer must be installed so that the Element is at the bottom.

# artos<sup>®</sup>

## MR12045W

## PRODUCT DIMENSIONS

ryton towel warmer,  
hardwired

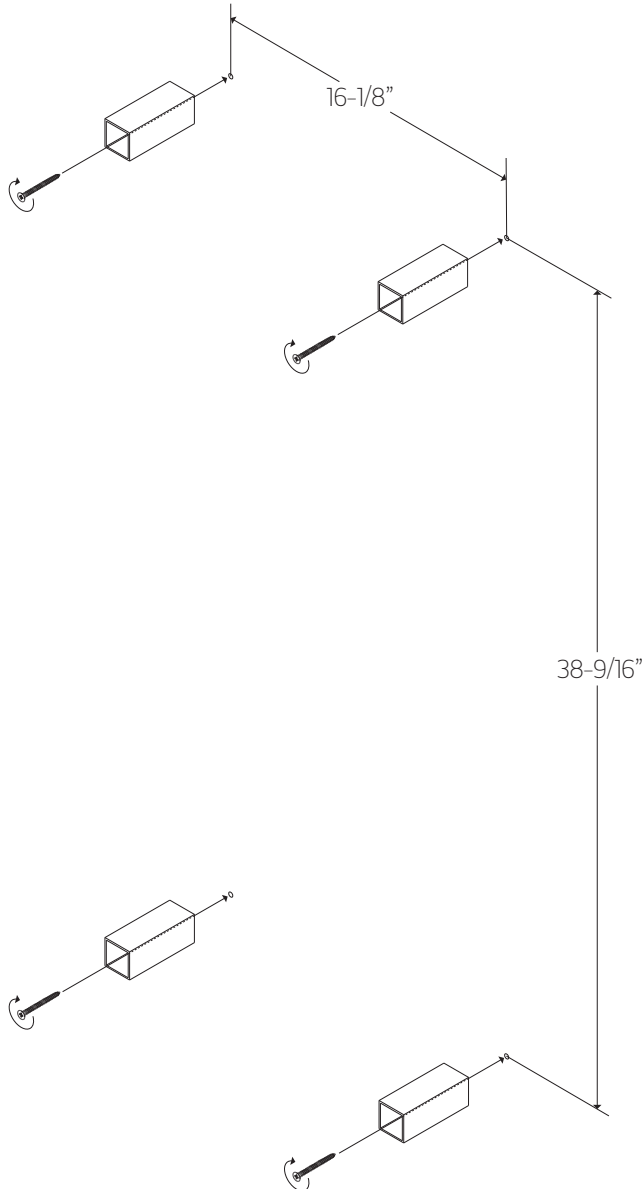


# artos<sup>®</sup>

## MR12045W

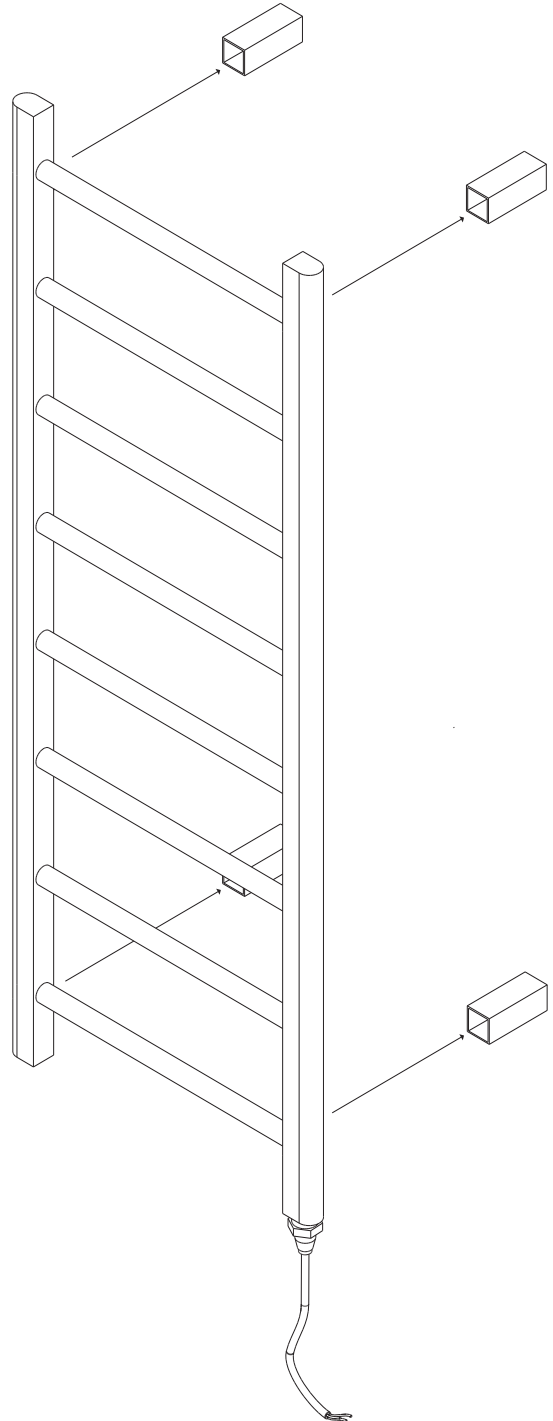
ryton towel warmer,  
hardwired

### STEP 1 \*ALL DIMENSIONS ARE APPROXIMATE



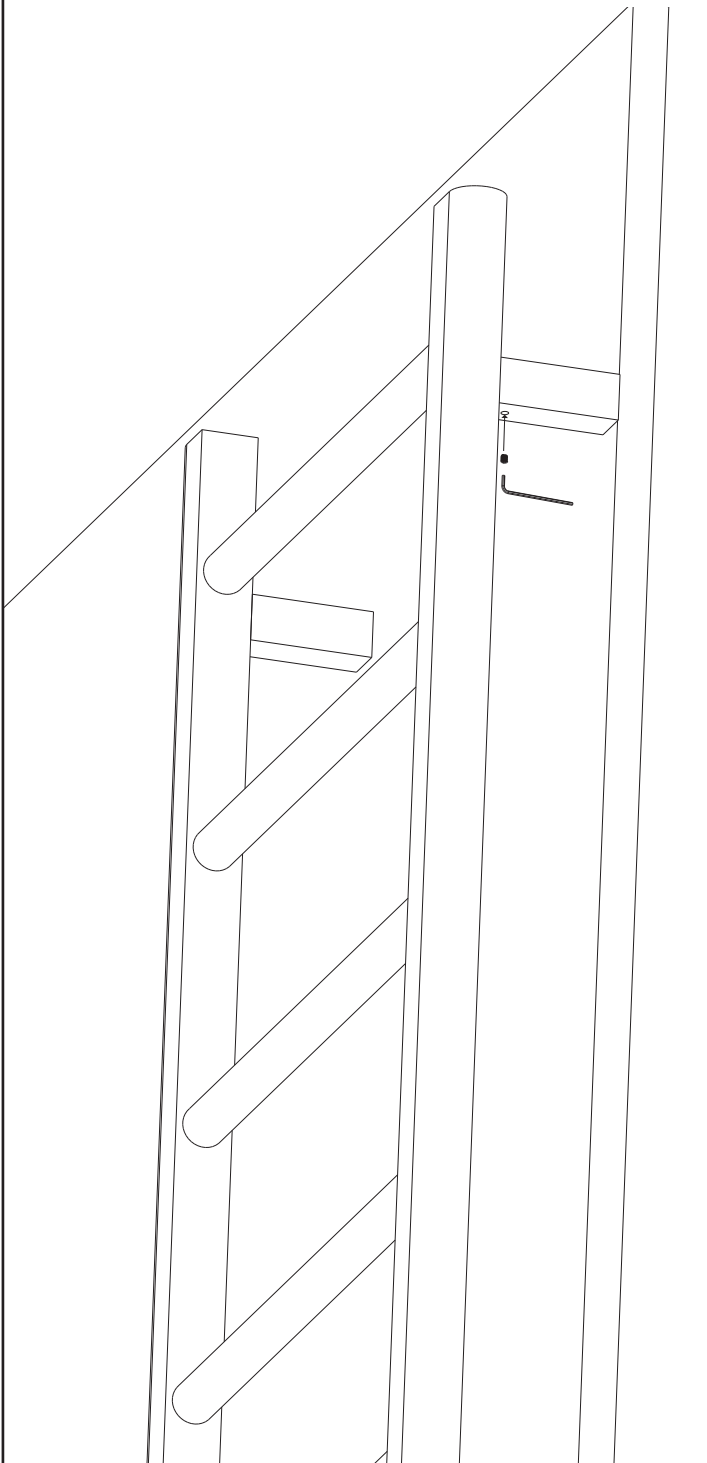
WE RECOMMEND THAT AT LEAST  
2 OF THE WALL BRACKETS ARE  
SECURED INTO A STUD OR BACKER

### STEP 2

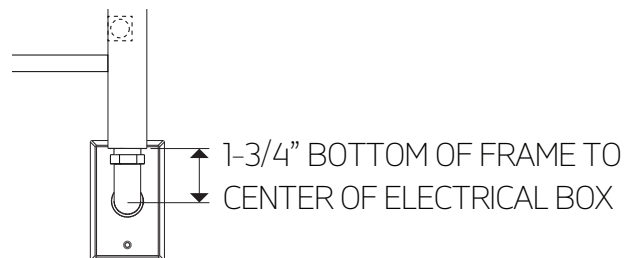
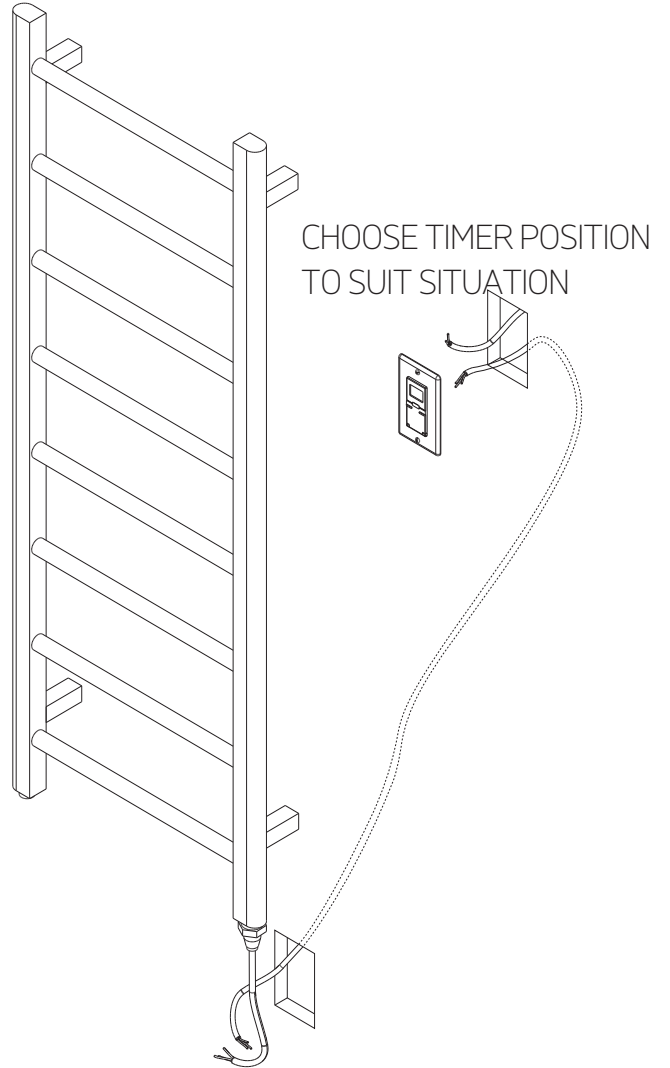


# INSTALLATION STEPS

**STEP 3** TOTAL OF 4 SET SCREWS,  
1 PER BRACKET



**STEP 4**



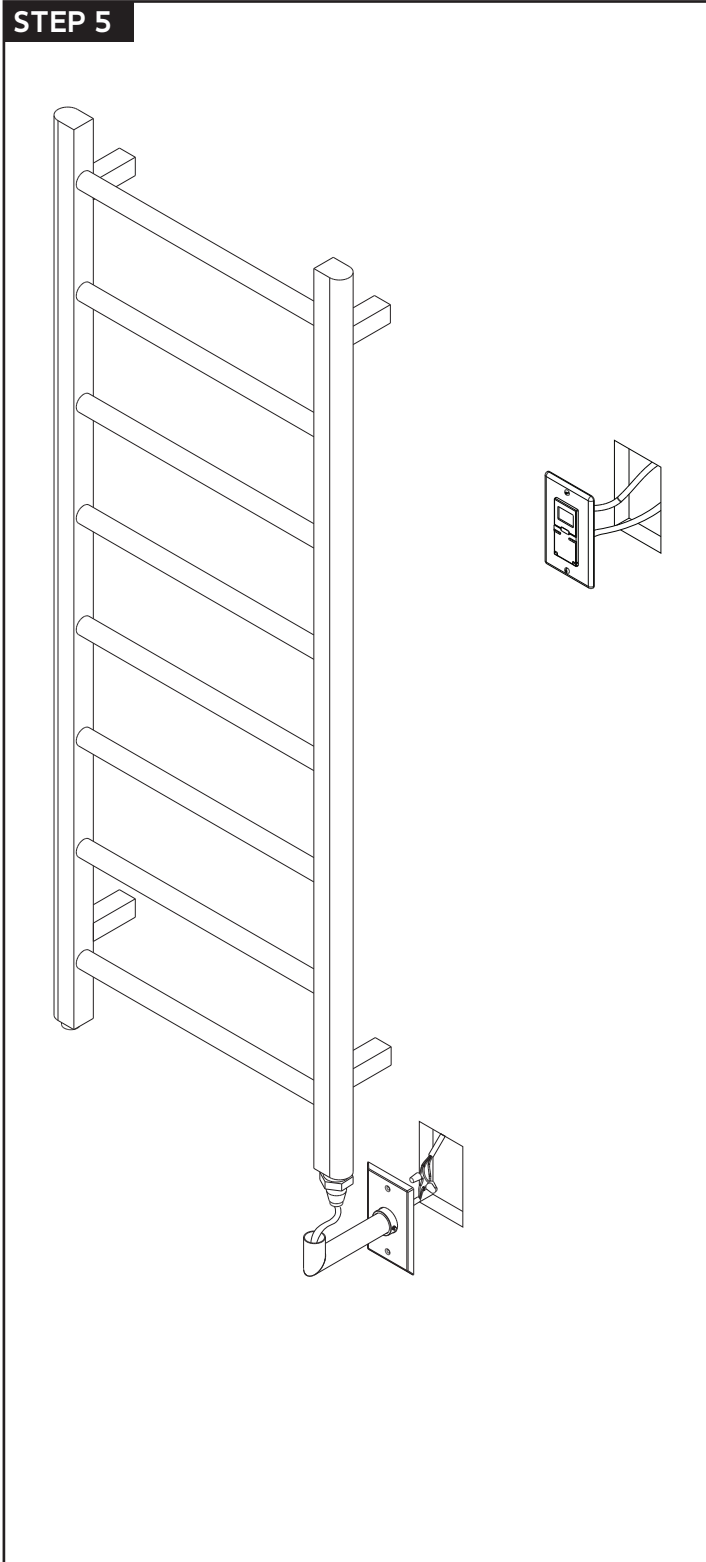
# artos<sup>®</sup>

## MR12045W

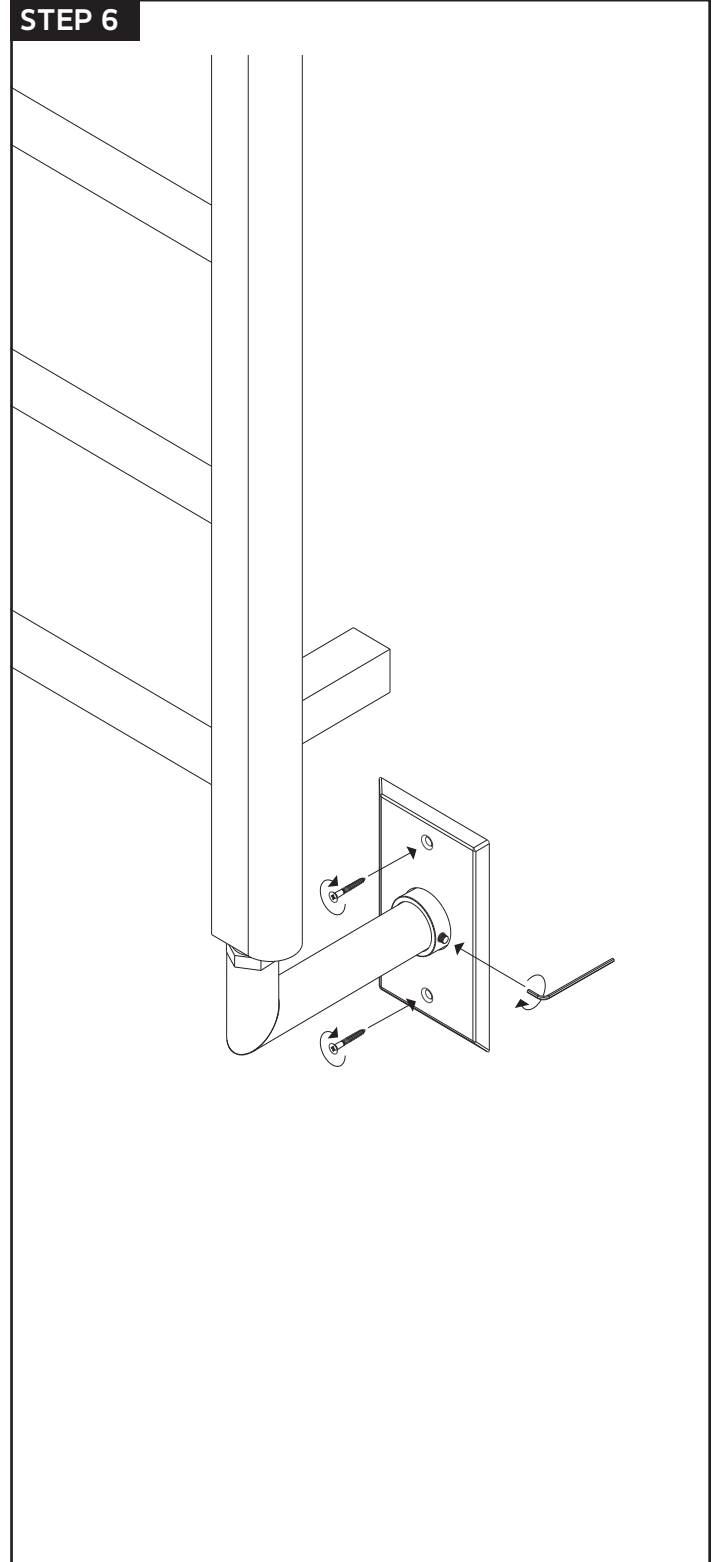
ryton towel warmer,  
hardwired

### INSTALLATION STEPS

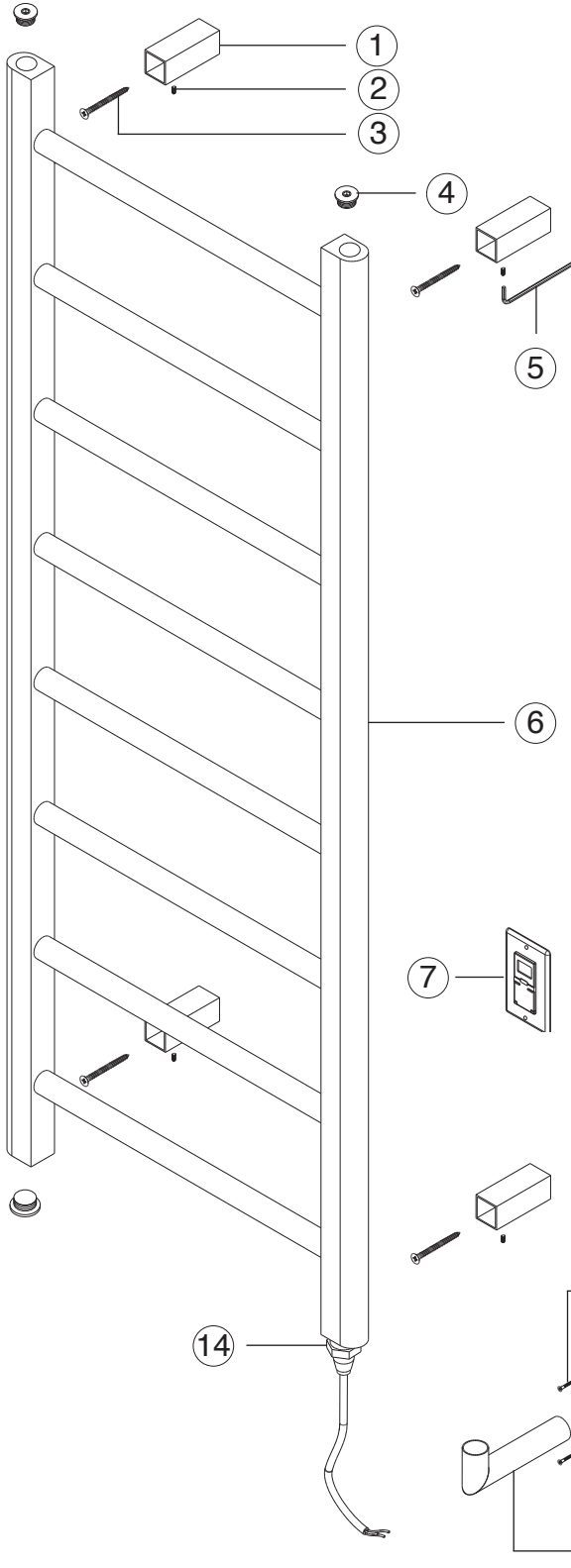
#### STEP 5



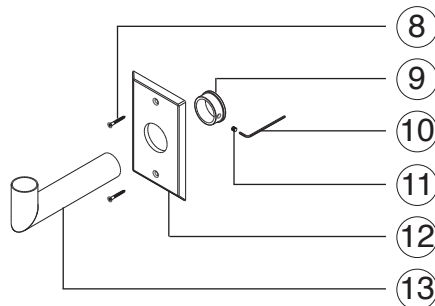
#### STEP 6



ryton towel warmer,  
hardwired



- ① **WALL BRACKET(4)** MR12045W XP1
- ② **WALL BRACKET SET SCREW(4)** MR12045W XP2
- ③ **WALL BRACKET SCREW(4)** MR12045W XP3
- ④ **BLANKING CAP(3)** MR12045W XP4
- ⑤ **ALLEN WRENCH** MR12045W XP5
- ⑥ **TOWEL WARMER** MR12045W XP6
- ⑦ **TIMER** MR12045W XP7
- ⑧ **BACKPLATE SCREWS(2)** MR12045W XP8
- ⑨ **ELBOW SECURING SLEEVE** MR12045W XP9
- ⑩ **ALLEN WRENCH** MR12045W XP10
- ⑪ **ELBOW SET SCREW** MR12045W XP11
- ⑫ **BACKPLATE** MR12045W XP12
- ⑬ **ELBOW** MR12045W XP13
- ⑭ **ELEMENT** MR12045W XP14



# artos<sup>®</sup>

## MR12045W

ryton towel warmer,  
hardwired

### CARE & MAINTENANCE

For best results, keep the following in mind to retain the high quality finish of your artos<sup>®</sup> towel warmer:

- Use a soft, dampened sponge or cloth. On no account should you use an abrasive material such as a brush, scouring pad or steel wool to clean surfaces.
- Test your cleaning agent solution on an inconspicuous area before applying to the entire faucet.
- Wipe surfaces clean and rinse completely with water immediately after applying cleaning agent.
- An ideal cleaning technique is to rinse faucet thoroughly and blot dry any water from the surface after each use.

### LIMITED WARRANTY

**artos<sup>®</sup> towel warmers are guaranteed for five years against finishing defects and one year for the element as the original purchaser owns it.**

Damage caused by accident, misuse, abuse, improper installation, improper cleaning or alteration will void the warranty. This warranty does not cover replacement parts where damage is caused by normal wear and tear. Westover, Inc is not responsible for labor charges, installation or other incidental or consequential costs. Proof of purchase must be provided with all claims.

Please register this product online at [WWW.ARTOS.US.COM](http://WWW.ARTOS.US.COM)

ITEM NO. **MR12045W**  
SERIAL NO.