

# artos<sup>®</sup>

## MR06545W

## INSTALLATION GUIDE

ryton towel warmer,  
hardwired

BRUSHED NICKEL(BN)



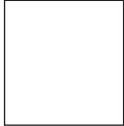
OIL RUBBED BRONZE(OB)



CHROME(CH)



WHITE(WH)



POLISHED NICKEL(PN)



BLACK(BK)



# artos<sup>®</sup>

MR06545W

## OPERATING SPECIFICATIONS

ryton towel warmer,  
hardwired



### FEATURES

Towel warming, drying and auxiliary heating.

### ELEMENT

200W, 110V

### CODES

UL Approved  
CSA-US Approved

### REQUIREMENTS

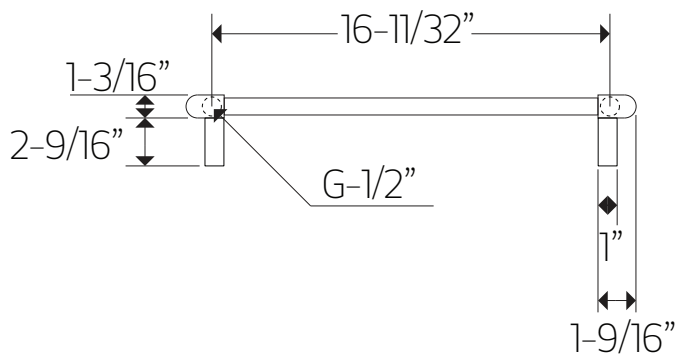
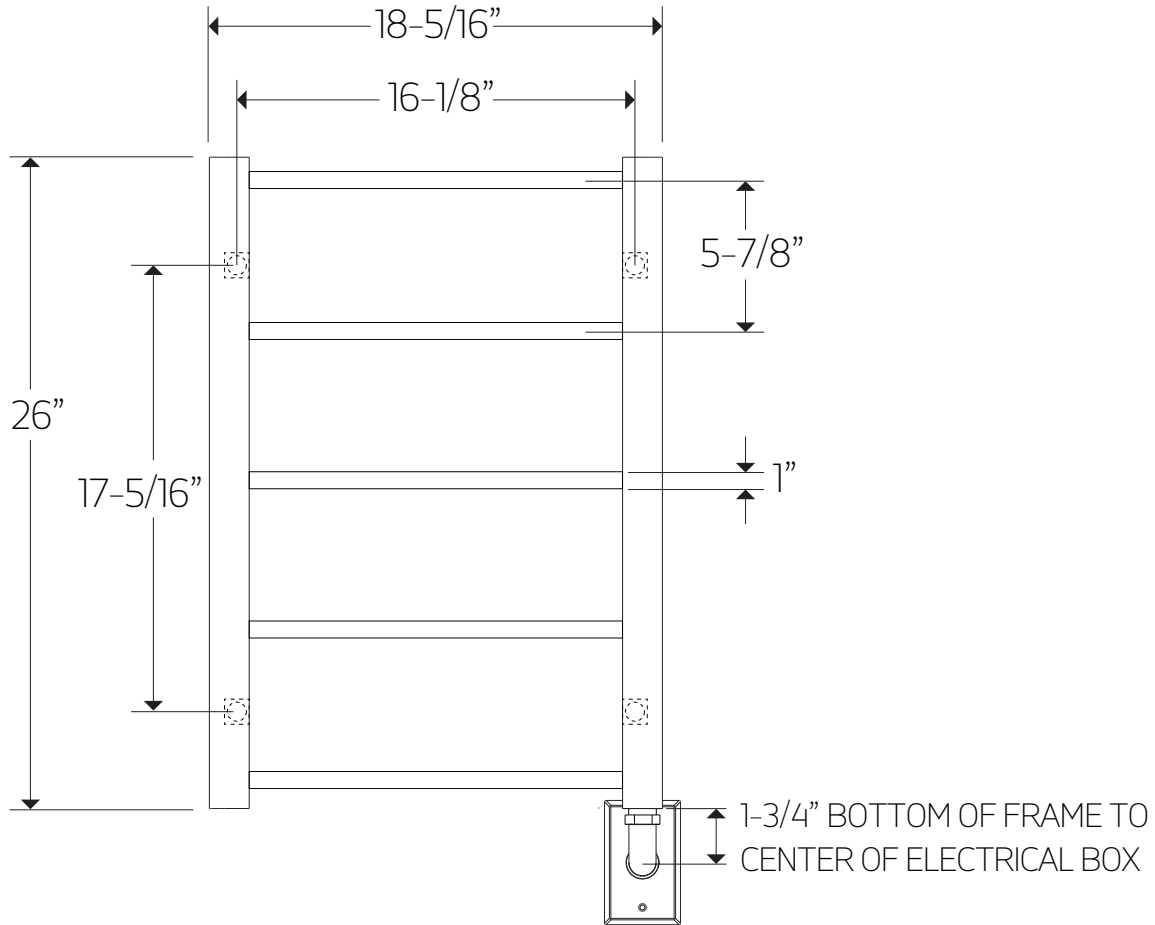
The towel warmer must be installed so that the Element is at the bottom.

# artos<sup>®</sup>

## MR06545W

## PRODUCT DIMENSIONS

ryton towel warmer,  
hardwired



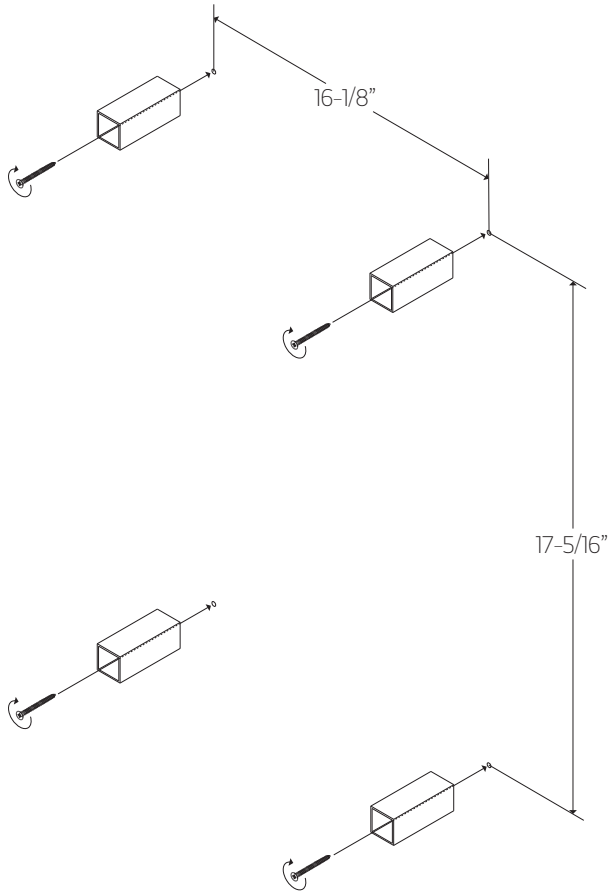
# artos<sup>®</sup>

## MR06545W

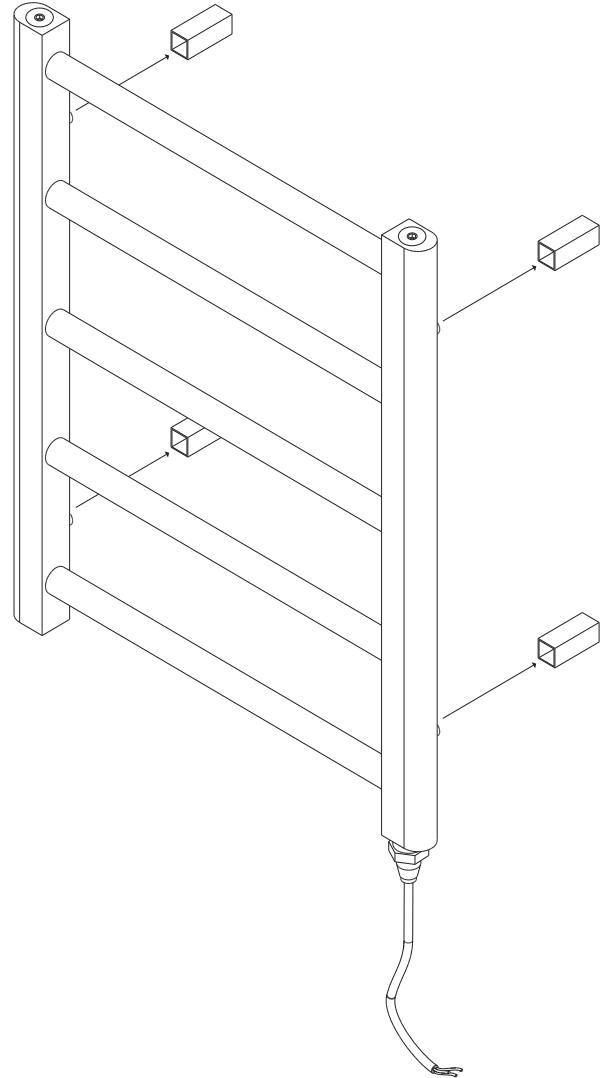
ryton towel warmer,  
hardwired

### STEP 1

\*DIMENSIONS ARE APPROXIMATE FOR  
BLOCKING PURPOSES, PLEASE MEASURE UNIT



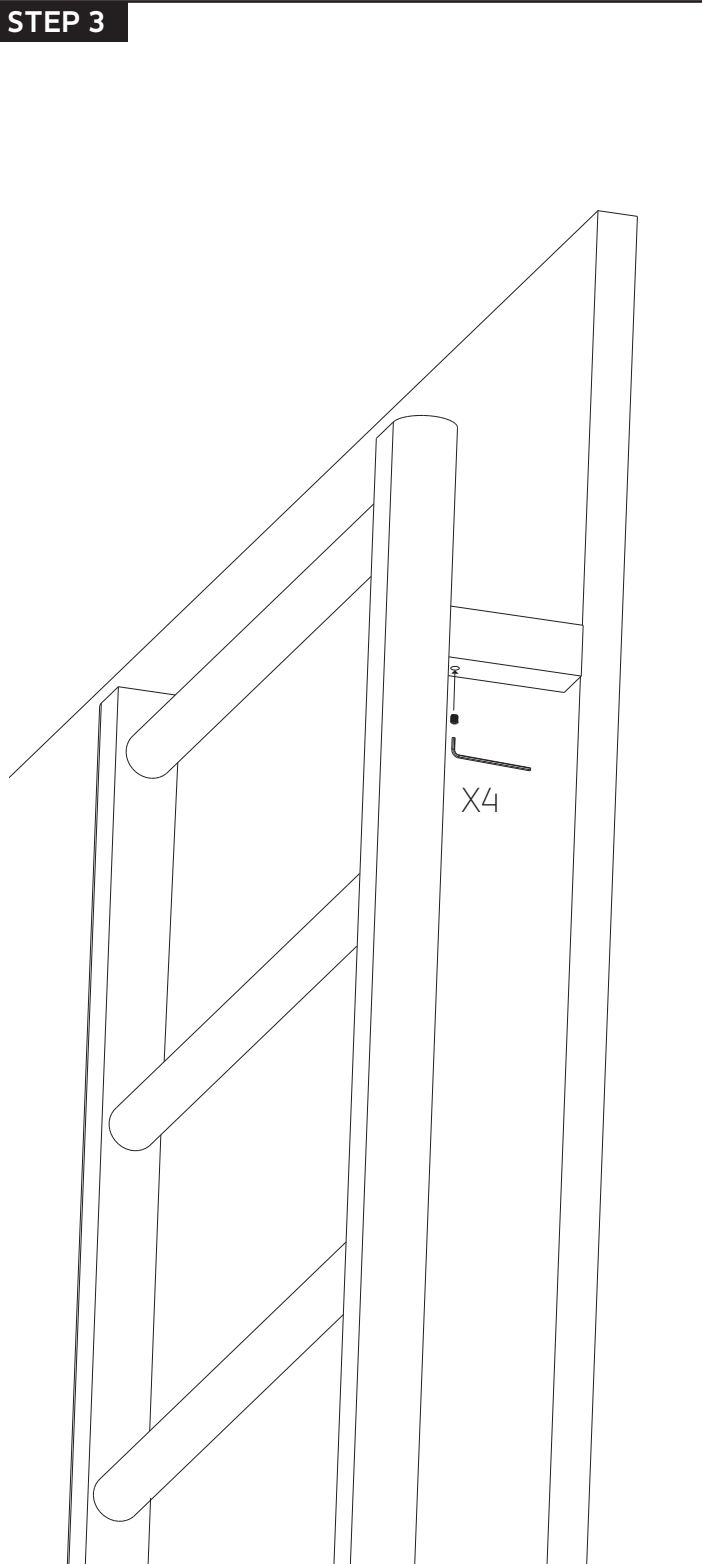
### STEP 2



WE RECOMMEND THAT AT LEAST  
2 OF THE WALL BRACKETS ARE  
SECURED INTO A STUD OR BACKER

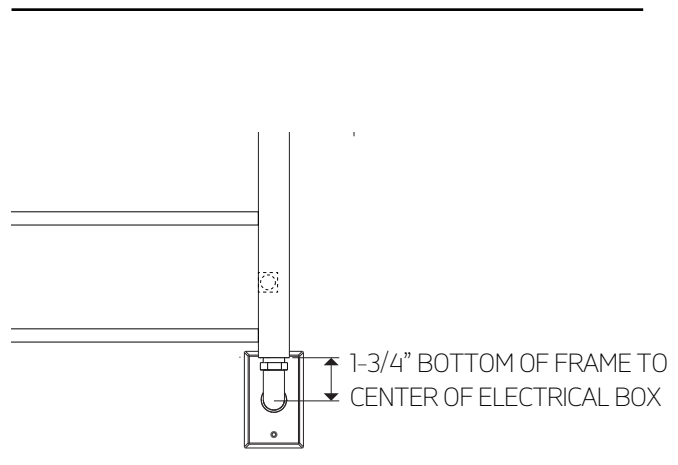
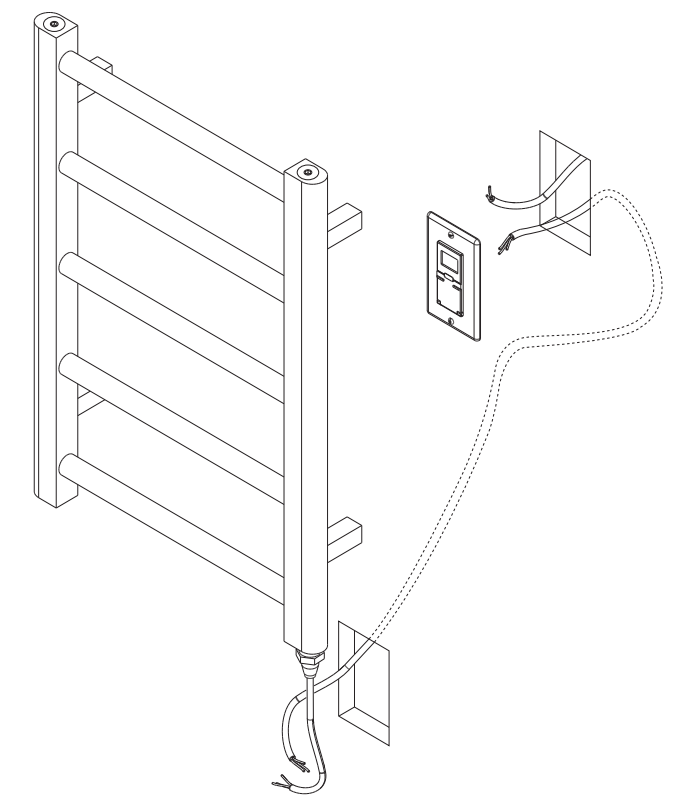
# INSTALLATION STEPS

## STEP 3



## STEP 4

CHOOSE TIMER POSITION TO SUIT SITUATION



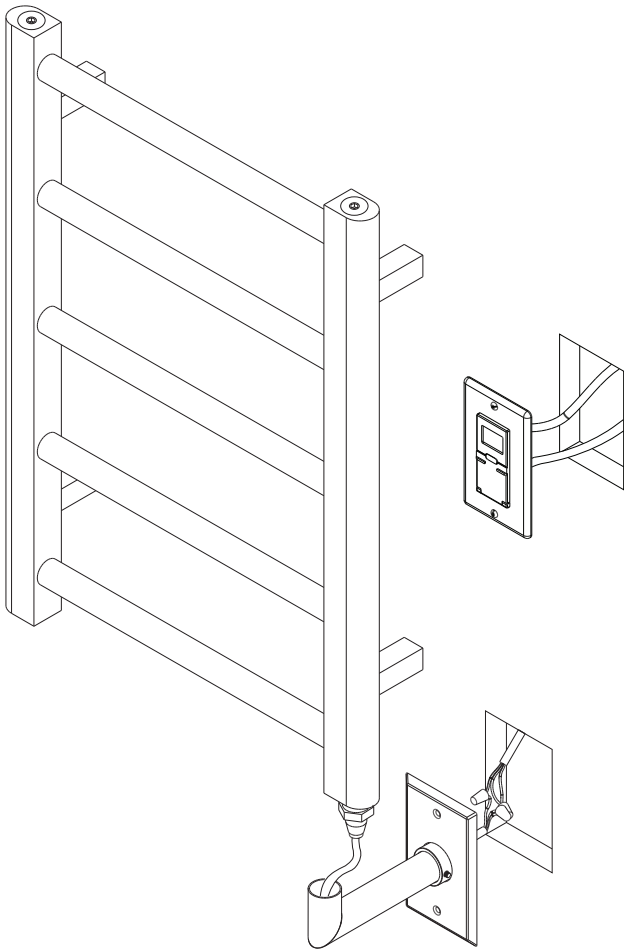
# artos<sup>®</sup>

## MR06545W

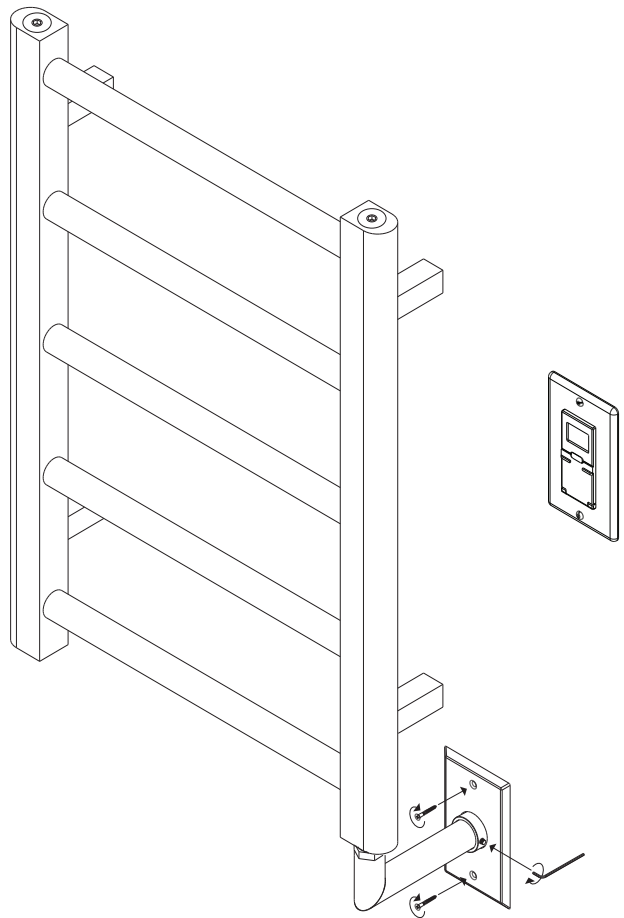
ryton towel warmer,  
hardwired

### INSTALLATION STEPS

#### STEP 5



#### STEP 6

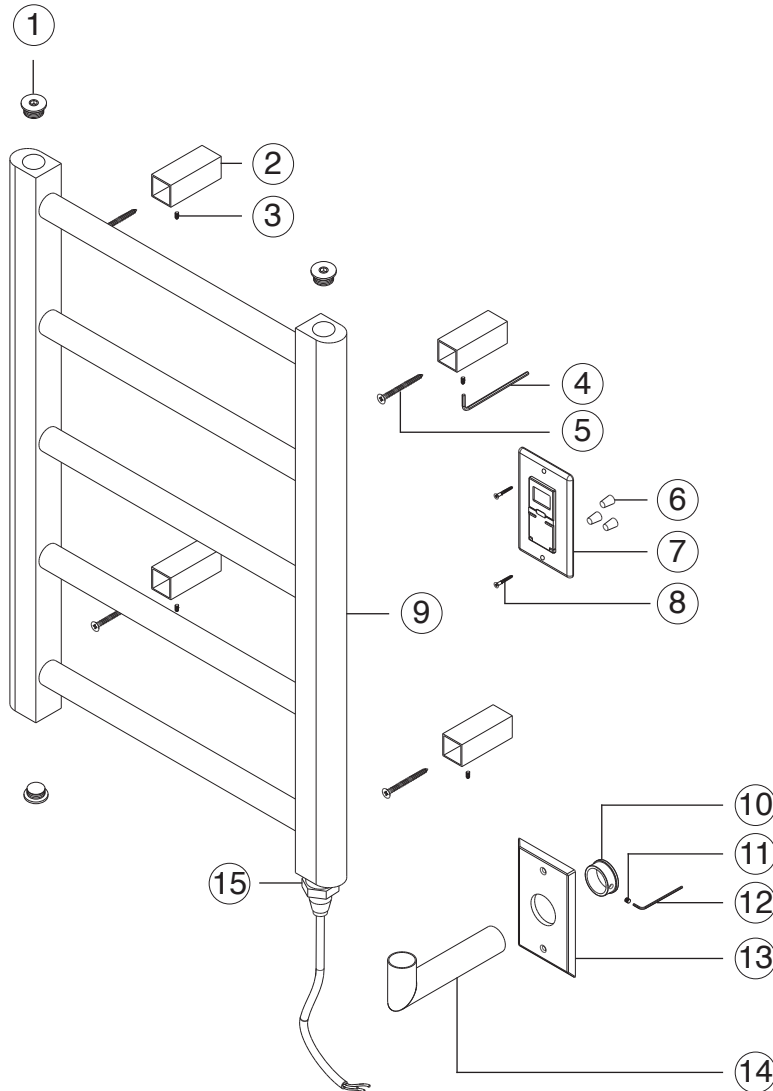


# artos<sup>®</sup>

## MR06545W

## PARTS BREAKDOWN

ryton towel warmer,  
hardwired



- |  |  |
|--|--|
| ① <b>BLANKING CAP(3)</b> MR06545W XP1      | ⑩ <b>ELBOW SECURING SLEEVE</b> MR06545W XP10 |
| ② <b>WALL BRACKET(4)</b> MR06545W XP2      | ⑪ <b>ELBOW SET SCREW</b> MR06545W XP11       |
| ③ <b>BRACKET SET SCREW(4)</b> MR06545W XP3 | ⑫ <b>ALLEN WRENCH</b> MR06545W XP12          |
| ④ <b>ALLEN WRENCH</b> MR06545W XP4         | ⑬ <b>BACKPLATE</b> MR06545W XP13             |
| ⑤ <b>BRACKET SCREW(4)</b> MR06545W XP5     | ⑭ <b>ELBOW</b> MR06545W XP14                 |
| ⑥ <b>WIRE NUTS(3)</b> MR06545W XP6         | ⑮ <b>ELEMENT</b> MR06545W XP15               |
| ⑦ <b>TIMER</b> MR06545W XP7                |  |
| ⑧ <b>TIMER SCREWS(2)</b> MR06545W XP8      |  |
| ⑨ <b>TOWEL WARMER</b> MR06545W XP9         |  |

# artos<sup>®</sup>

MR06545W

ryton towel warmer,  
hardwired

## CARE & MAINTENANCE

For best results, keep the following in mind to retain the high quality finish of your artos<sup>®</sup> towel warmer:

- Use a soft, dampened sponge or cloth. On no account should you use an abrasive material such as a brush, scouring pad or steel wool to clean surfaces.
- Test your cleaning agent solution on an inconspicuous area before applying to the entire faucet.
- Wipe surfaces clean and rinse completely with water immediately after applying cleaning agent.
- An ideal cleaning technique is to rinse faucet thoroughly and blot dry any water from the surface after each use.

## LIMITED WARRANTY

**artos<sup>®</sup> towel warmers are guaranteed for five years against finishing defects and one year for the element as the original purchaser owns it.**

Damage caused by accident, misuse, abuse, improper installation, improper cleaning or alteration will void the warranty. This warranty does not cover replacement parts where damage is caused by normal wear and tear. Westover, Inc is not responsible for labor charges, installation or other incidental or consequential costs. Proof of purchase must be provided with all claims.

Please register this product online at [WWW.ARTOS.US.COM](http://WWW.ARTOS.US.COM)

ITEM NO. **MR06545W**  
SERIAL NO.