

artos[®]

M17245W

INSTALLATION GUIDE

denby towel warmer,
hardwired

BRUSHED NICKEL(BN)



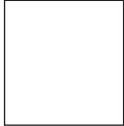
OIL RUBBED BRONZE(OB)



CHROME(CH)



WHITE(WH)



POLISHED NICKEL(PN)



BLACK(BK)



artos[®]

M17245W

denby towel warmer,
hardwired

OPERATING SPECIFICATIONS



FEATURES

Towel warming, drying and auxiliary heating.

ELEMENT

400W, 110V

CODES

UL Approved
CSA-US Approved

REQUIREMENTS

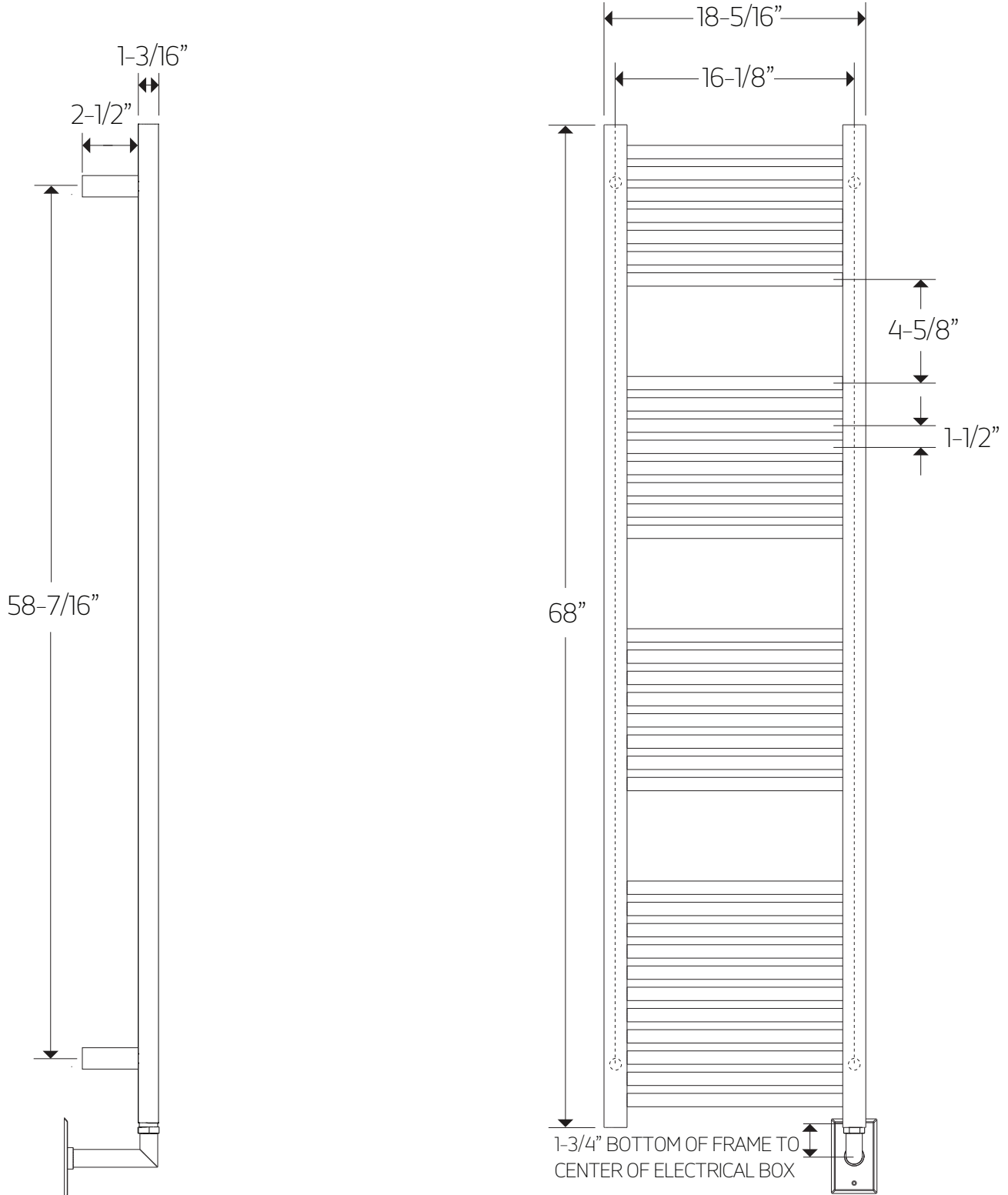
The towel warmer must be installed so that the Element is at the bottom.

artos[®]

M17245W

denby towel warmer,
hardwired

PRODUCT DIMENSIONS

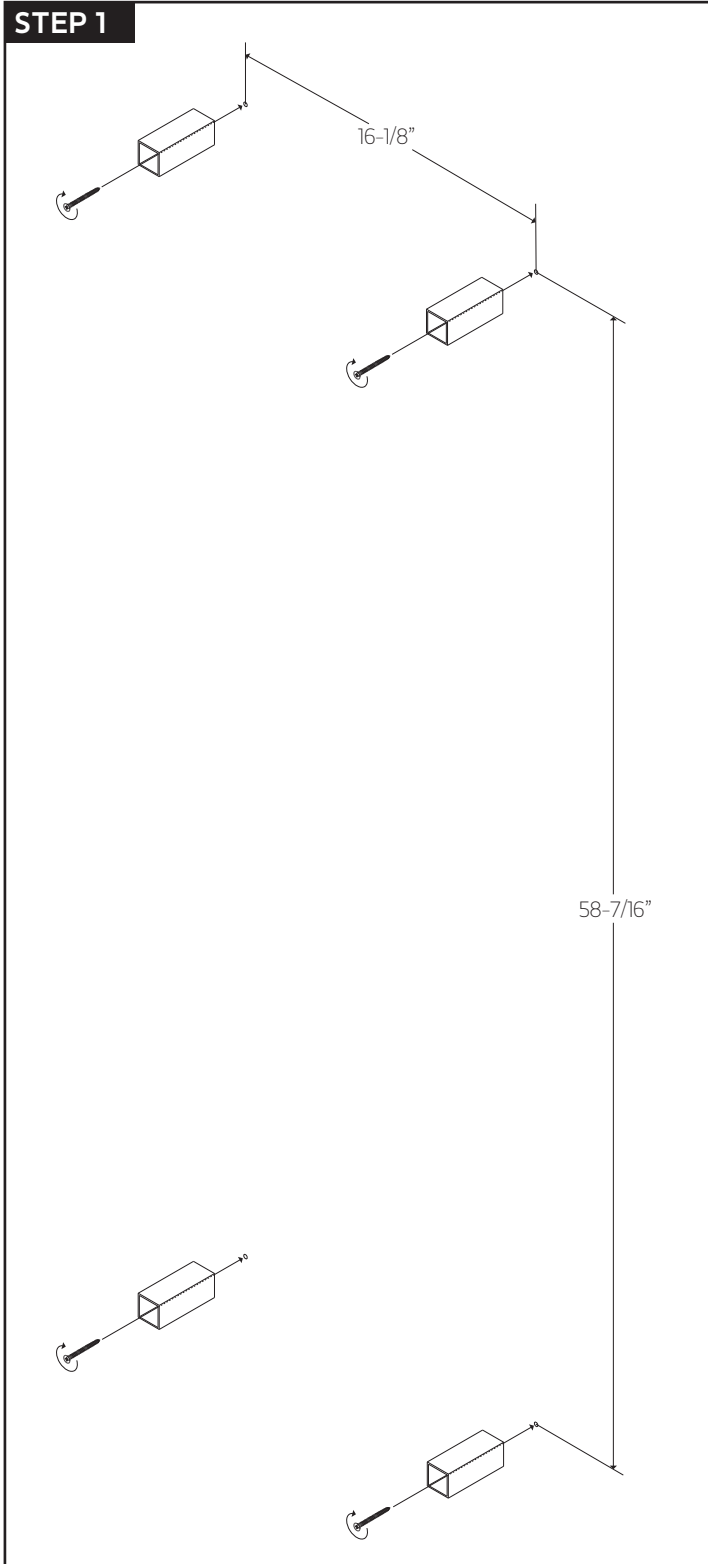


artos[®]

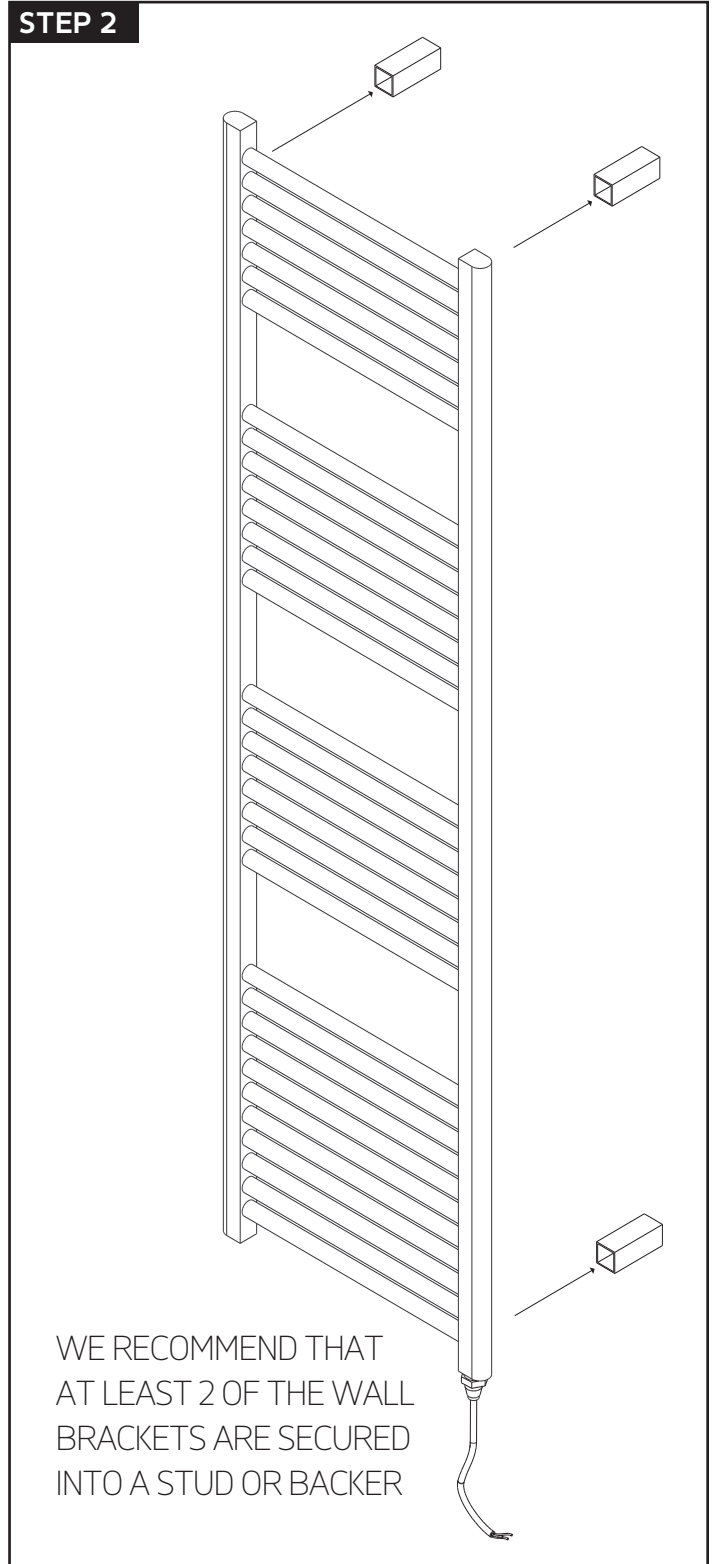
M17245W

denby towel warmer,
hardwired

STEP 1

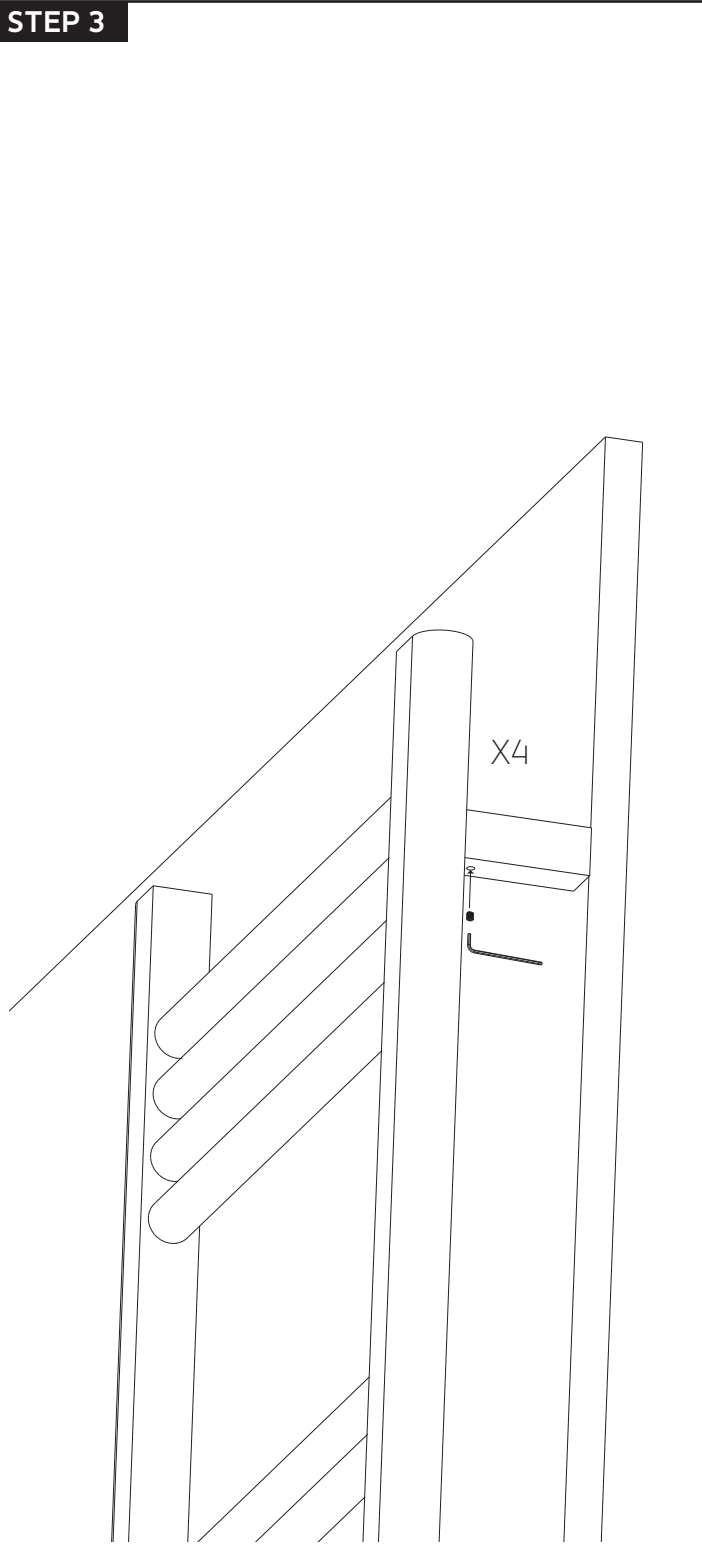


STEP 2

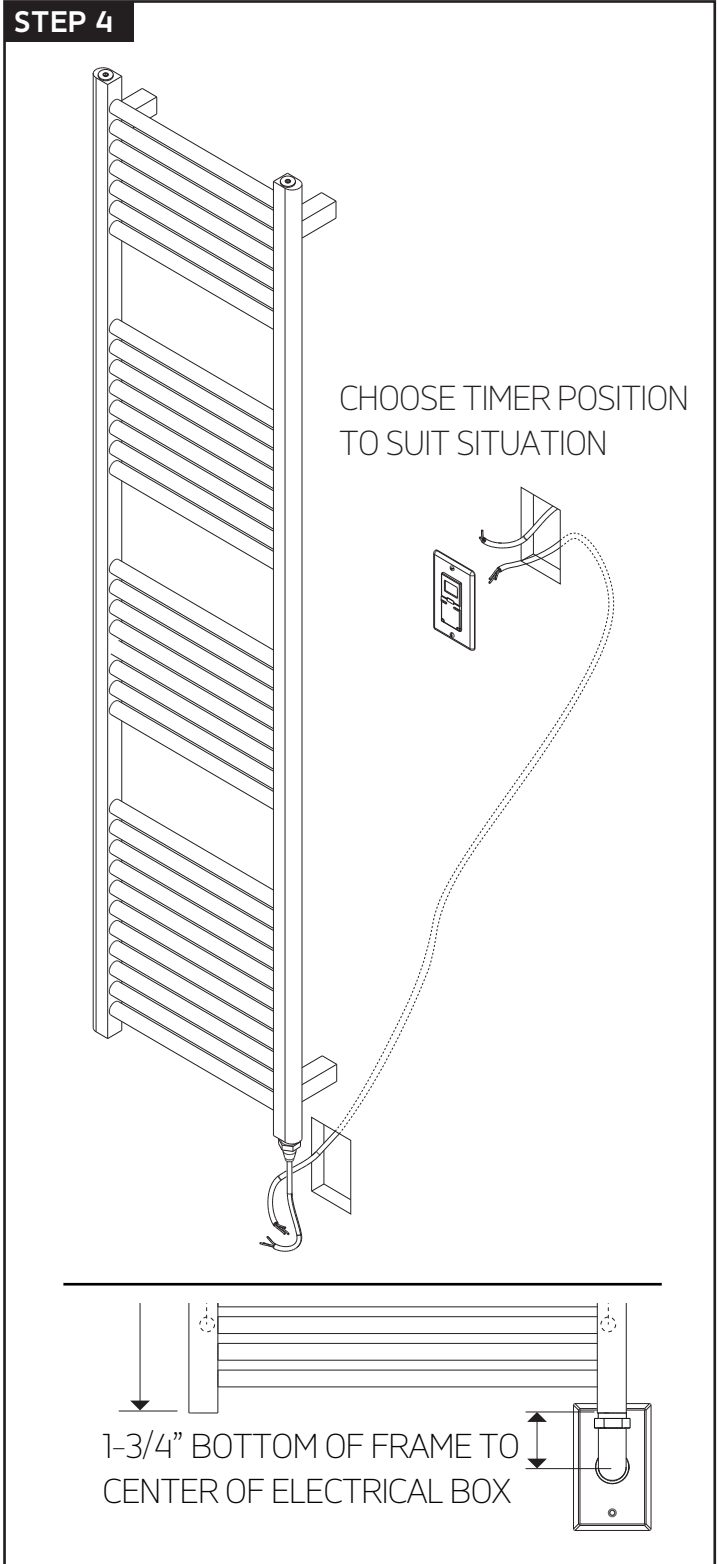


INSTALLATION STEPS

STEP 3



STEP 4



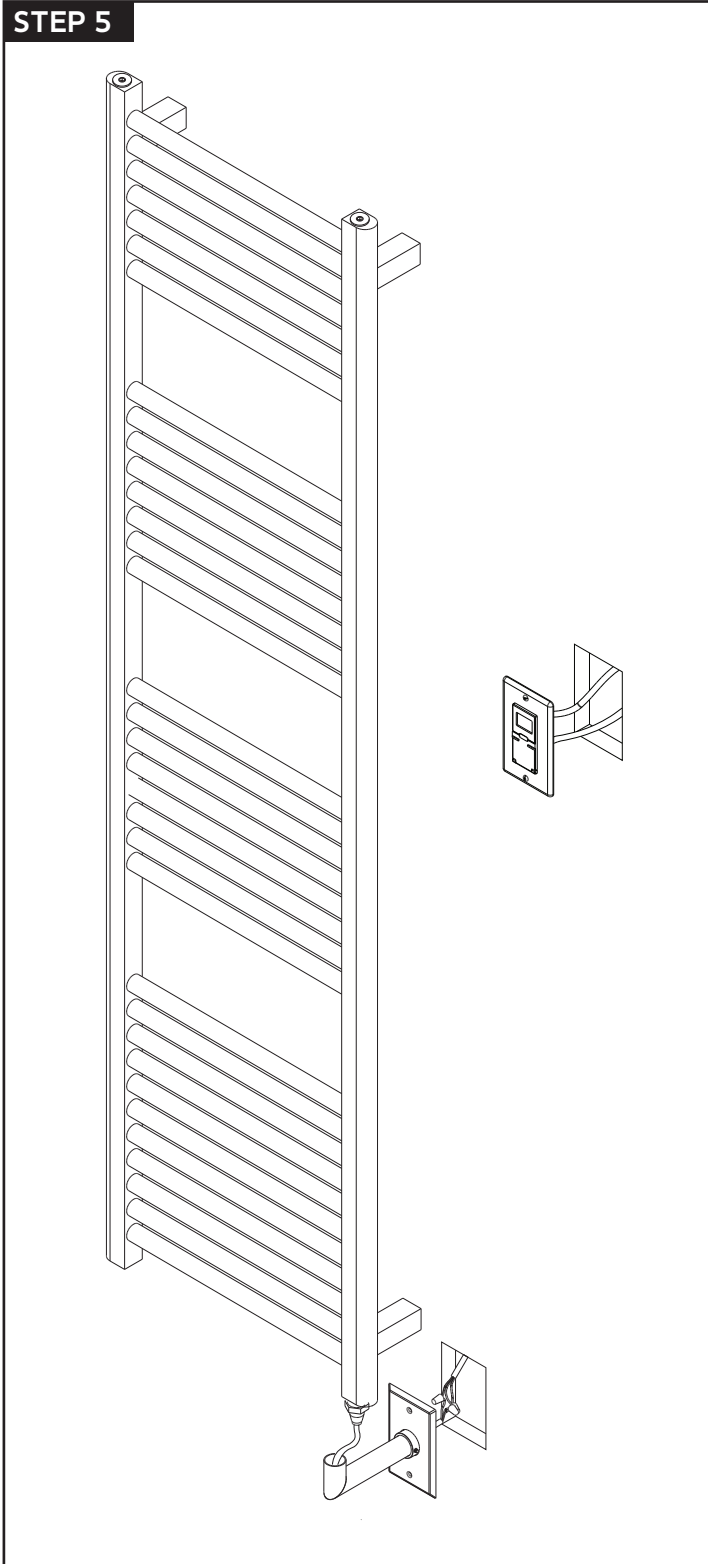
artos[®]

M17245W

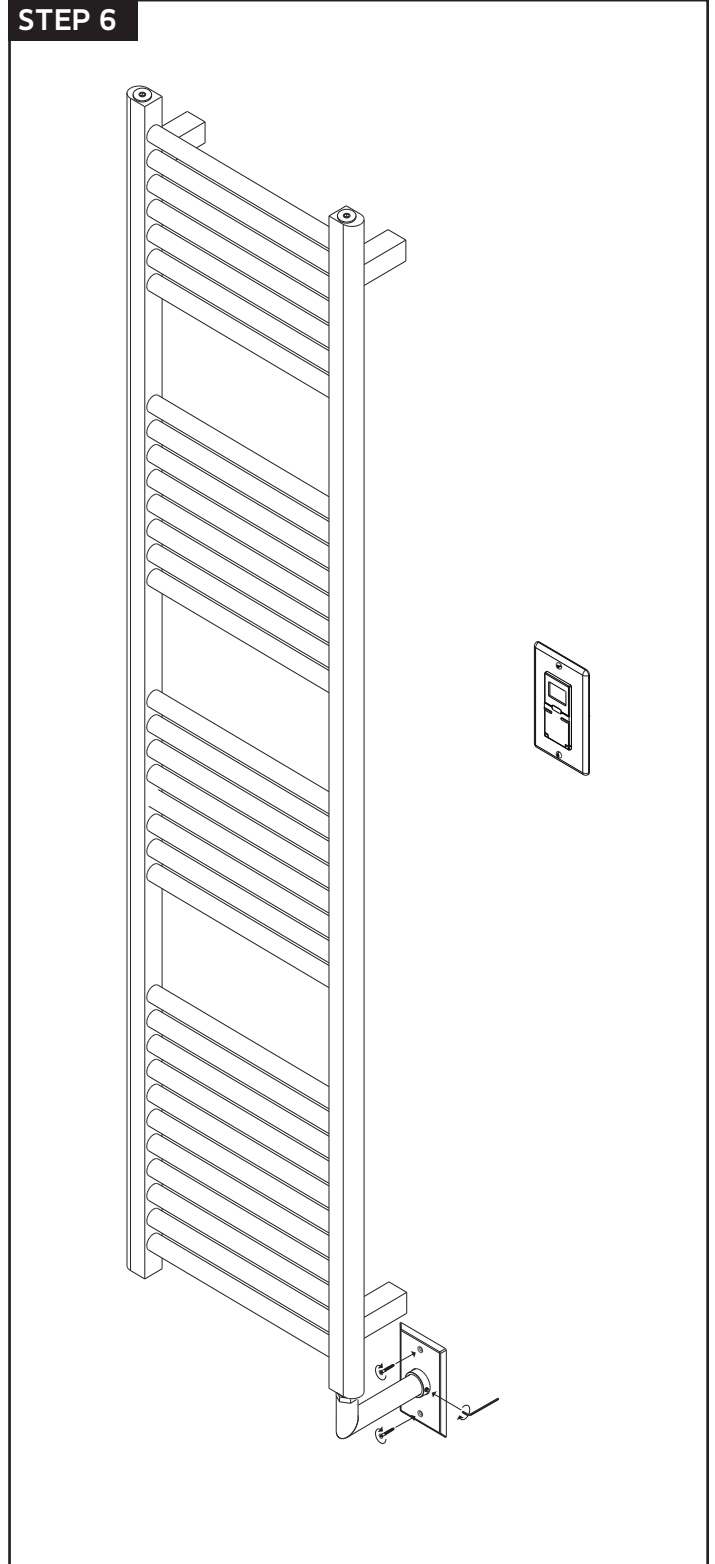
denby towel warmer,
hardwired

INSTALLATION STEPS

STEP 5



STEP 6

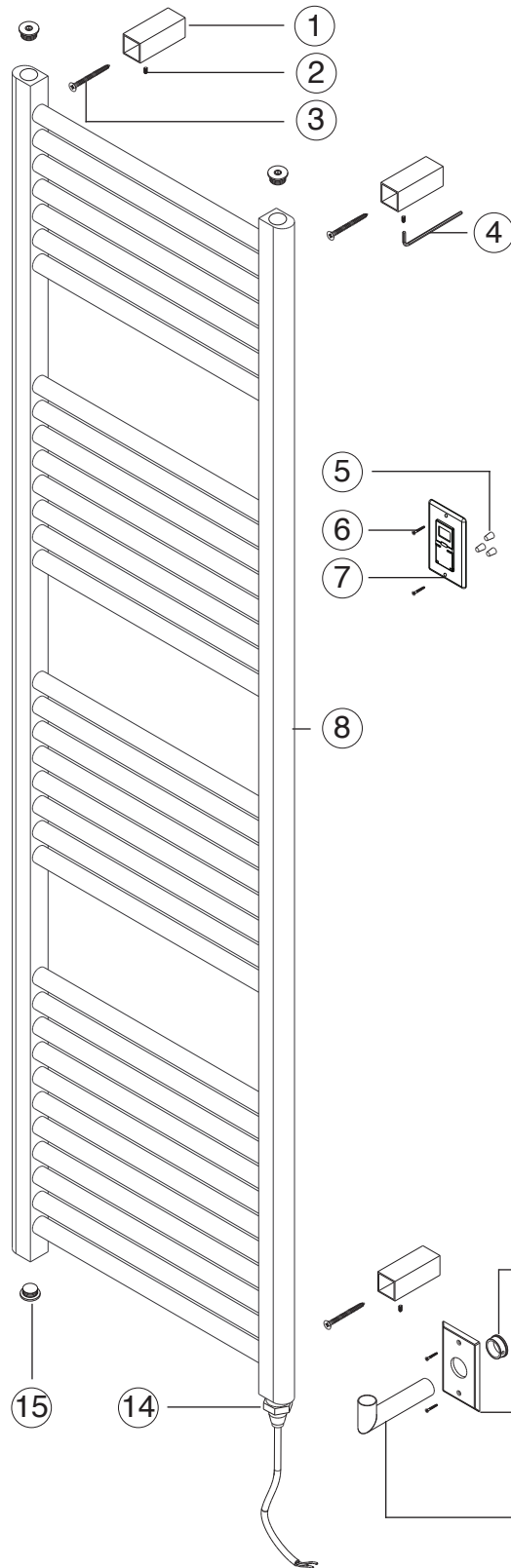


artos®

M17245W

denby towel warmer,
hardwired

PARTS BREAKDOWN



- ① **BRACKETS(4)** M17245W XP1
- ② **BRACKET SET SCREWS(4)** M17245W XP2
- ③ **BRACKET SCREWS(4)** M17245W XP3
- ④ **ALLEN WRENCH** M17245W XP4
- ⑤ **WIRE NUTS(3)** M17245W XP5
- ⑥ **TIMER** M17245W XP6
- ⑦ **TIMER SCREWS(2)** M17245W XP7
- ⑧ **TOWEL WARMER** M17245W XP8
- ⑨ **ELBOW SECURING SLEEVE** M17245W XP9
- ⑩ **ELBOW SET SCREW** M17245W XP10
- ⑪ **ALLEN WRENCH** M17245W XP11
- ⑫ **BACKPLATE** M17245W XP12
- ⑬ **ELBOW** M17245W XP13
- ⑭ **ELEMENT** M17245W XP14
- ⑮ **BLANKING CAP(3)** M17245W XP15

artos[®]

M17245W

denby towel warmer,
hardwired

CARE & MAINTENANCE

For best results, keep the following in mind to retain the high quality finish of your artos[®] towel warmer:

- Use a soft, dampened sponge or cloth. On no account should you use an abrasive material such as a brush, scouring pad or steel wool to clean surfaces.
- Test your cleaning agent solution on an inconspicuous area before applying to the entire faucet.
- Wipe surfaces clean and rinse completely with water immediately after applying cleaning agent.
- An ideal cleaning technique is to rinse faucet thoroughly and blot dry any water from the surface after each use.

LIMITED WARRANTY

artos[®] towel warmers are guaranteed for five years against finishing defects and one year for the element as the original purchaser owns it.

Damage caused by accident, misuse, abuse, improper installation, improper cleaning or alteration will void the warranty. This warranty does not cover replacement parts where damage is caused by normal wear and tear. Westover, Inc is not responsible for labor charges, installation or other incidental or consequential costs. Proof of purchase must be provided with all claims.

Please register this product online at WWW.ARTOS.US.COM

ITEM NO. **M17245W**
SERIAL NO.