

# artos<sup>®</sup>

## M11175P

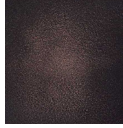
## INSTALLATION GUIDE

denby towel warmer,  
plug-in

BRUSHED NICKEL(BN)



OIL RUBBED BRONZE(OB)



CHROME(CH)



WHITE(WH)



POLISHED NICKEL(PN)



# artos<sup>®</sup>

M11175P

denby towel warmer,  
plug-in

## OPERATING SPECIFICATIONS



### FEATURES

Towel warming, drying and auxiliary heating.

### ELEMENT

400W, 110V

### CODES

UL Approved

CSA-US Approved

### REQUIREMENTS

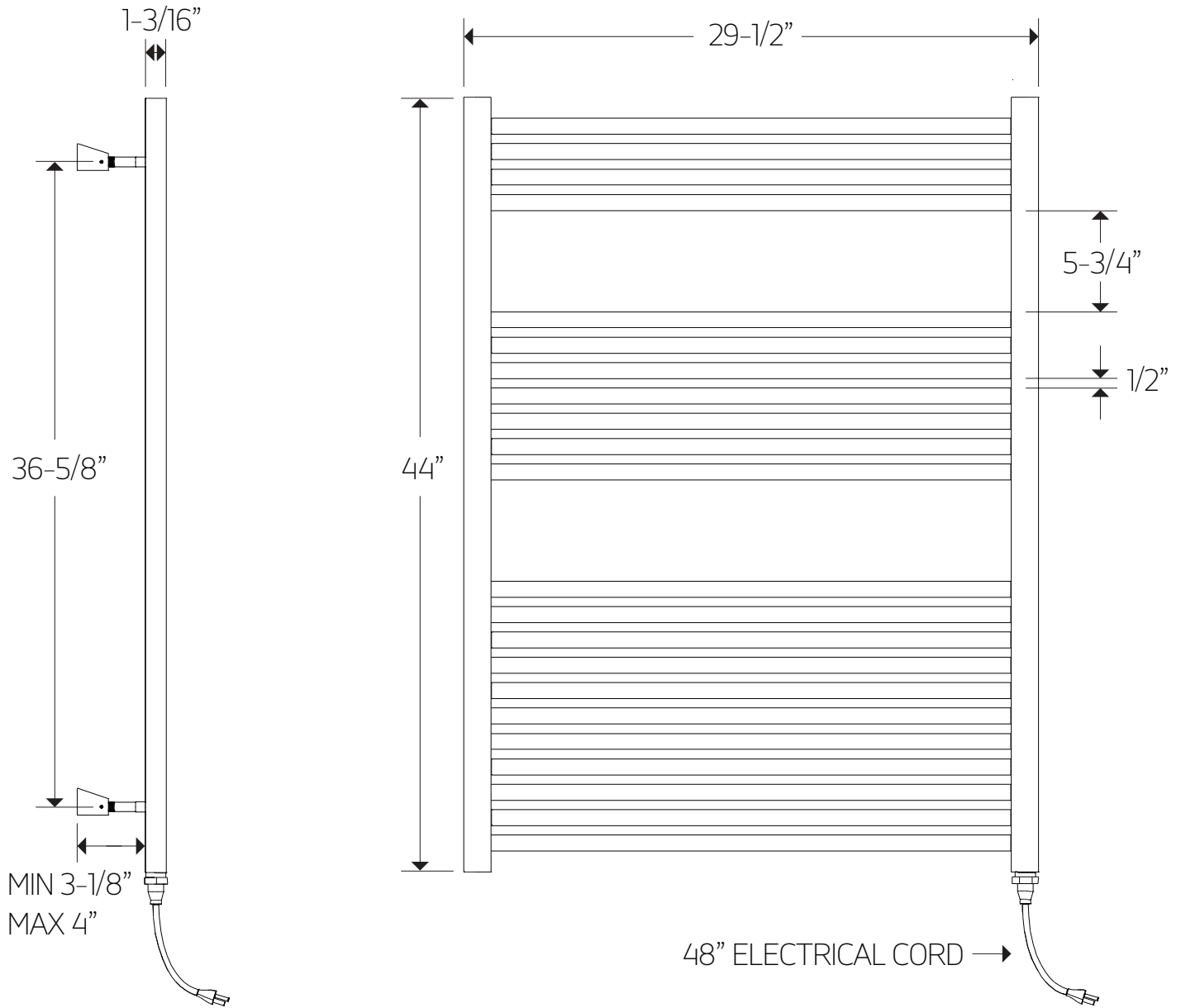
The towel warmer must be installed so that the Element is at the bottom.

# artos<sup>®</sup>

M11175P

## PRODUCT DIMENSIONS

denby towel warmer,  
plug-in

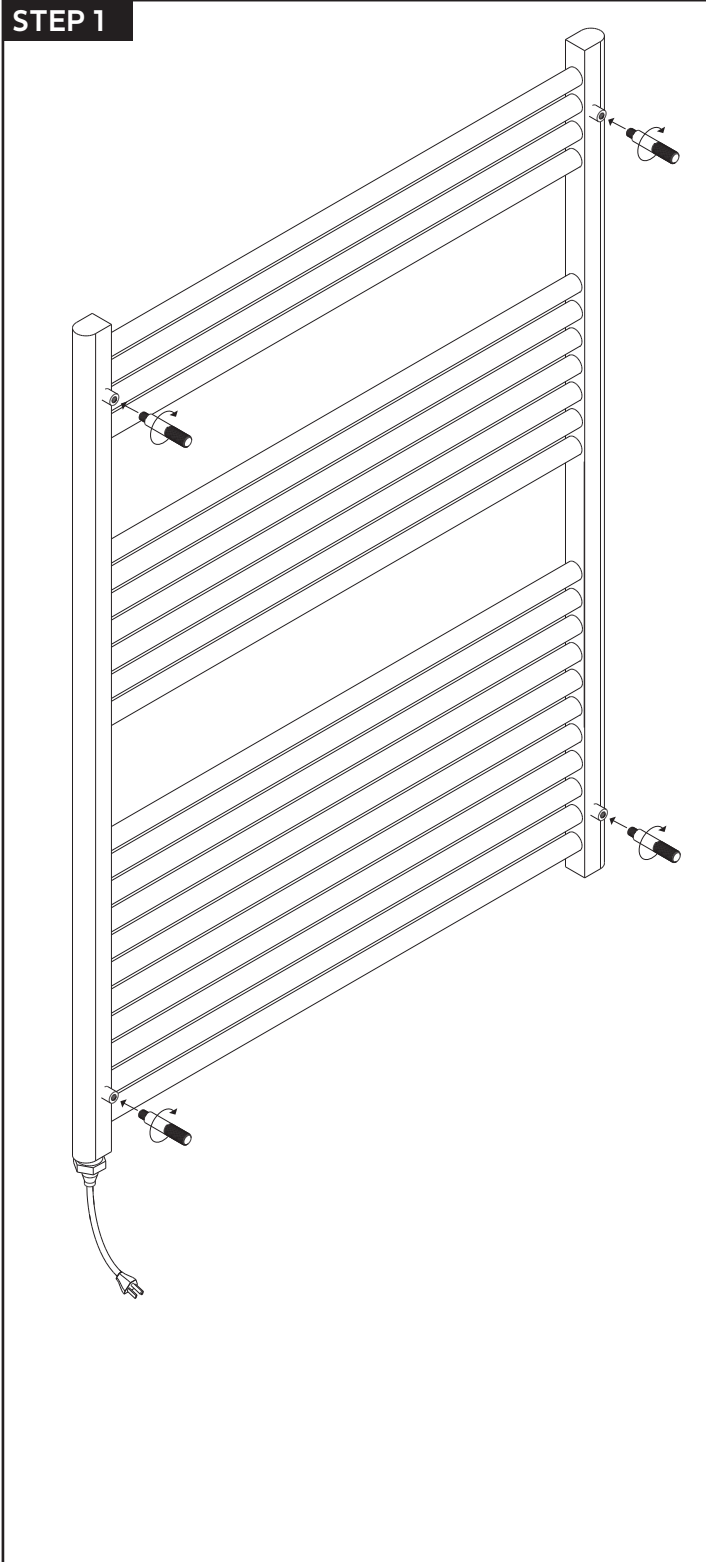


# artos<sup>®</sup>

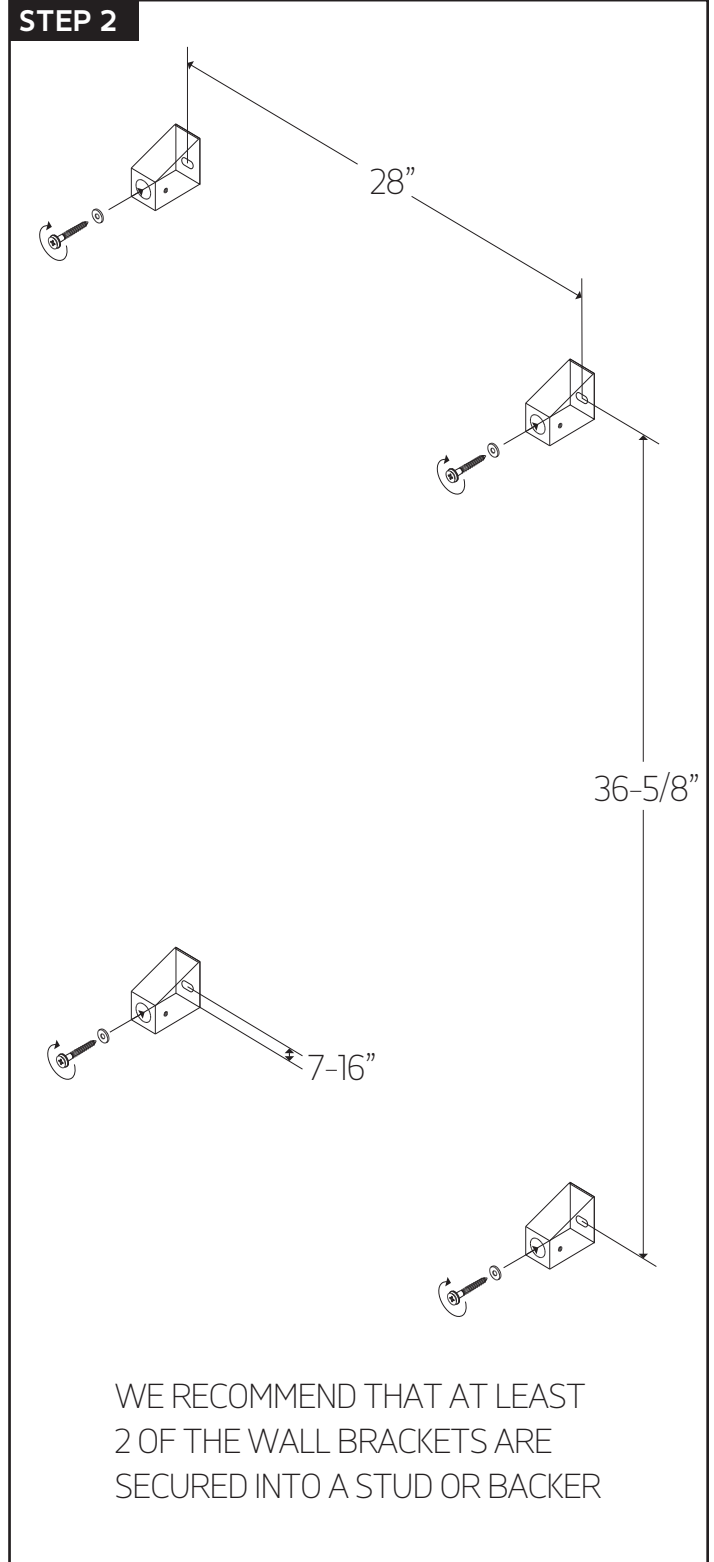
M11175P

denby towel warmer,  
plug-in

## STEP 1



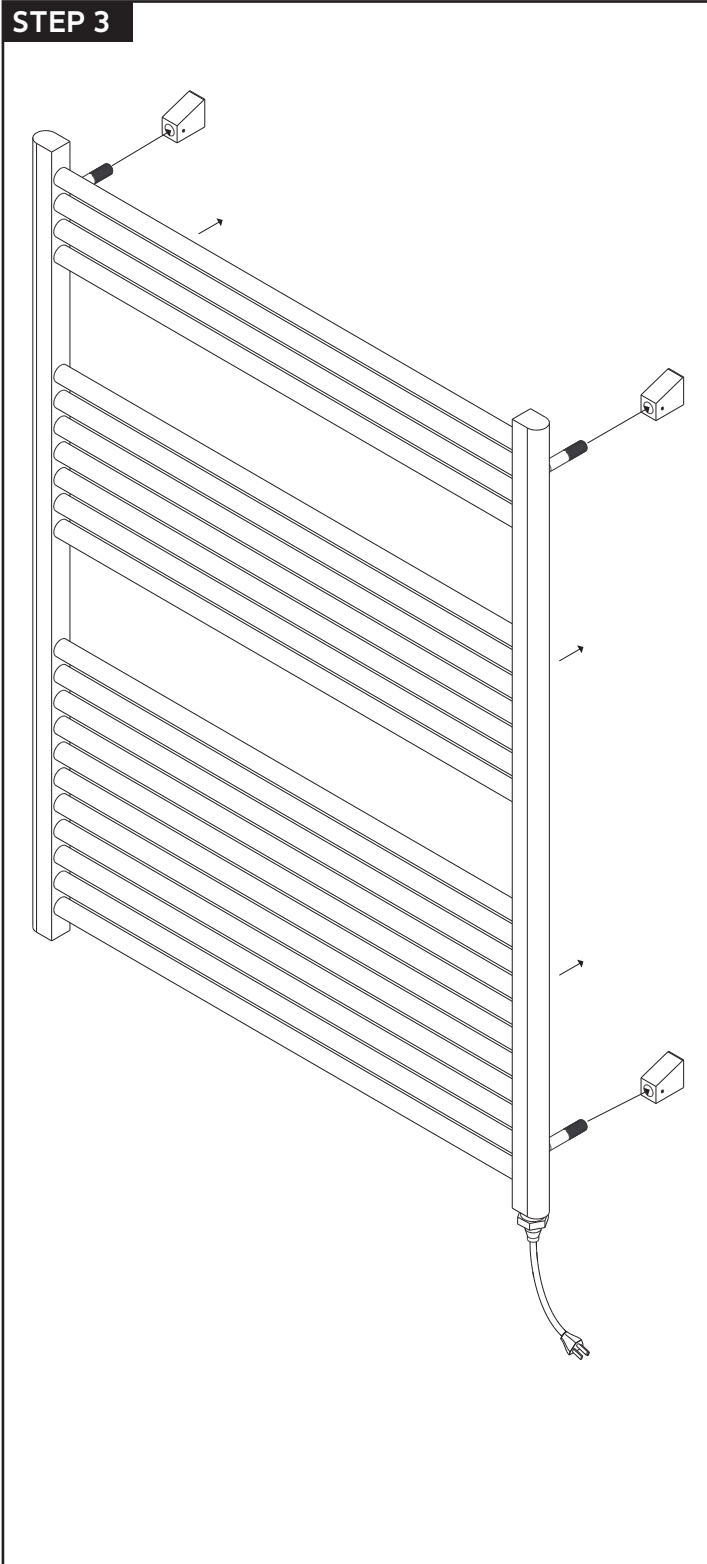
## STEP 2



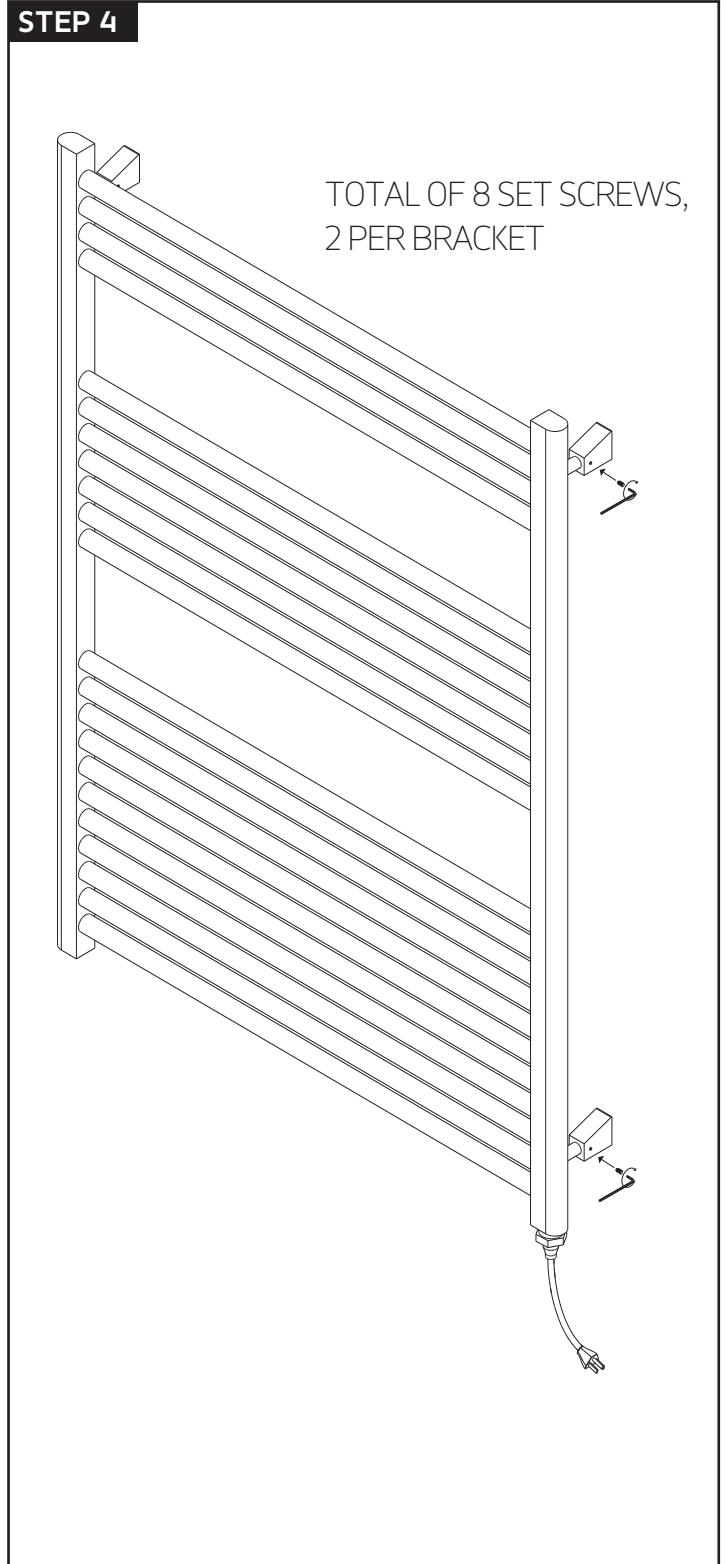
WE RECOMMEND THAT AT LEAST  
2 OF THE WALL BRACKETS ARE  
SECURED INTO A STUD OR BACKER

# INSTALLATION STEPS

## STEP 3



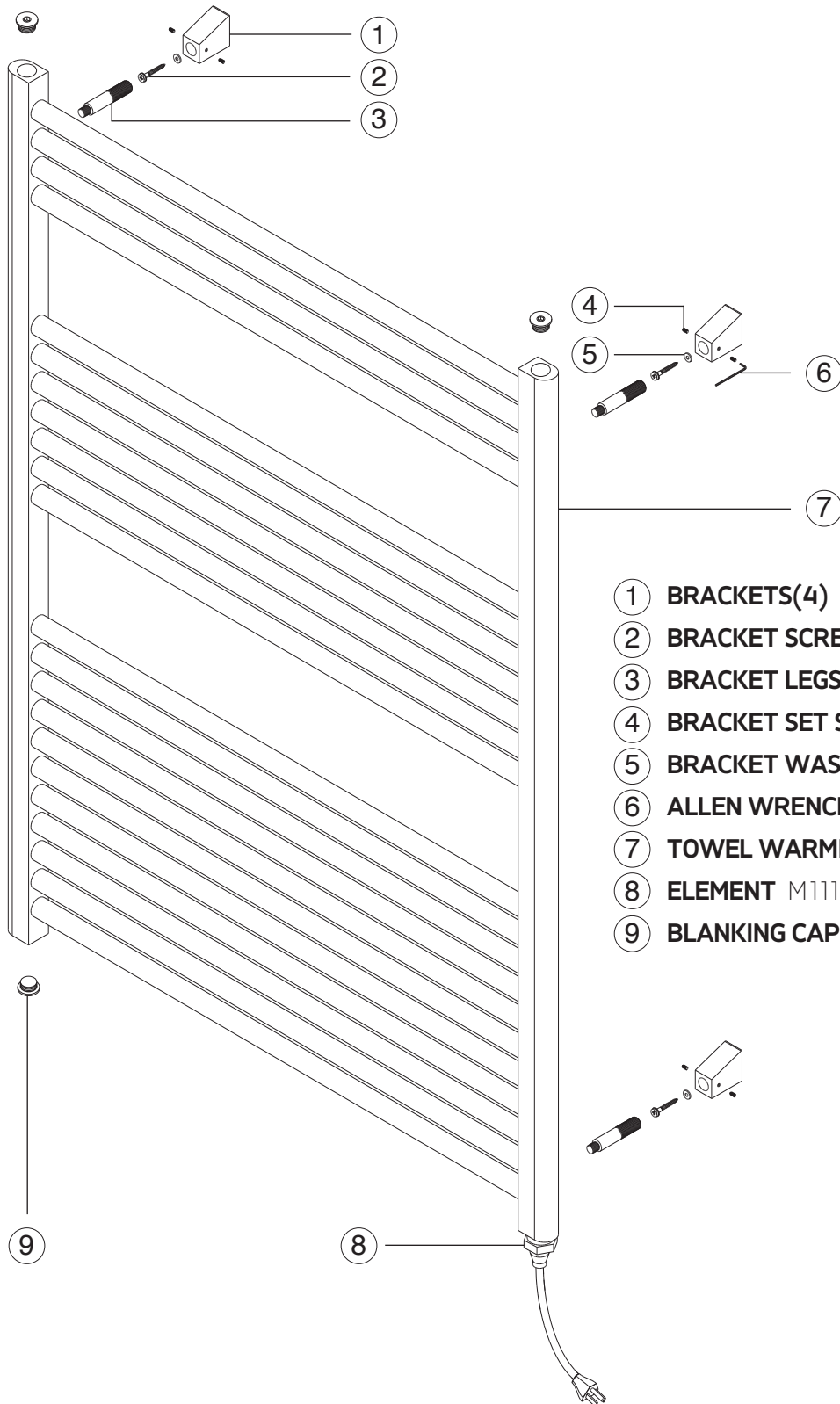
## STEP 4



# artos<sup>®</sup>

## M11175P

denby towel warmer,  
plug-in



- ① **BRACKETS(4)** M11175P XP1
- ② **BRACKET SCREWS(4)** M11175P XP2
- ③ **BRACKET LEGS(4)** M11175P XP3
- ④ **BRACKET SET SCREWS(8)** M11175P XP4
- ⑤ **BRACKET WASHERS(4)** M11175P XP5
- ⑥ **ALLEN WRENCH** M11175P XP6
- ⑦ **TOWEL WARMER** M11175P XP7
- ⑧ **ELEMENT** M11175P XP8
- ⑨ **BLANKING CAP(3)** M11175P XP9

# artos<sup>®</sup>

M11175P

denby towel warmer,  
plug-in

## CARE & MAINTENANCE

For best results, keep the following in mind to retain the high quality finish of your artos<sup>®</sup> towel warmer:

- Use a soft, dampened sponge or cloth. On no account should you use an abrasive material such as a brush, scouring pad or steel wool to clean surfaces.
- Test your cleaning agent solution on an inconspicuous area before applying to the entire faucet.
- Wipe surfaces clean and rinse completely with water immediately after applying cleaning agent.
- An ideal cleaning technique is to rinse faucet thoroughly and blot dry any water from the surface after each use.

## LIMITED WARRANTY

**artos<sup>®</sup> towel warmers are guaranteed for five years against finishing defects and one year for the element as the original purchaser owns it.**

Damage caused by accident, misuse, abuse, improper installation, improper cleaning or alteration will void the warranty. This warranty does not cover replacement parts where damage is caused by normal wear and tear. Westover, Inc is not responsible for labor charges, installation or other incidental or consequential costs. Proof of purchase must be provided with all claims.

Please register this product online at [WWW.ARTOS.US.COM](http://WWW.ARTOS.US.COM)

ITEM NO. **M11175P**  
SERIAL NO.