

artos[®]

M11160W

INSTALLATION GUIDE

denby towel warmer,
hardwired

BRUSHED NICKEL(BN)



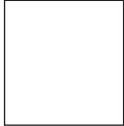
OIL RUBBED BRONZE(OB)



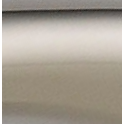
CHROME(CH)



WHITE(WH)



POLISHED NICKEL(PN)



BLACK(BK)



artos[®]

M11160W

denby towel warmer,
hardwired

OPERATING SPECIFICATIONS



FEATURES

Towel warming, drying and auxiliary heating.

ELEMENT

400W, 110V

CODES

UL Approved
CSA-US Approved

REQUIREMENTS

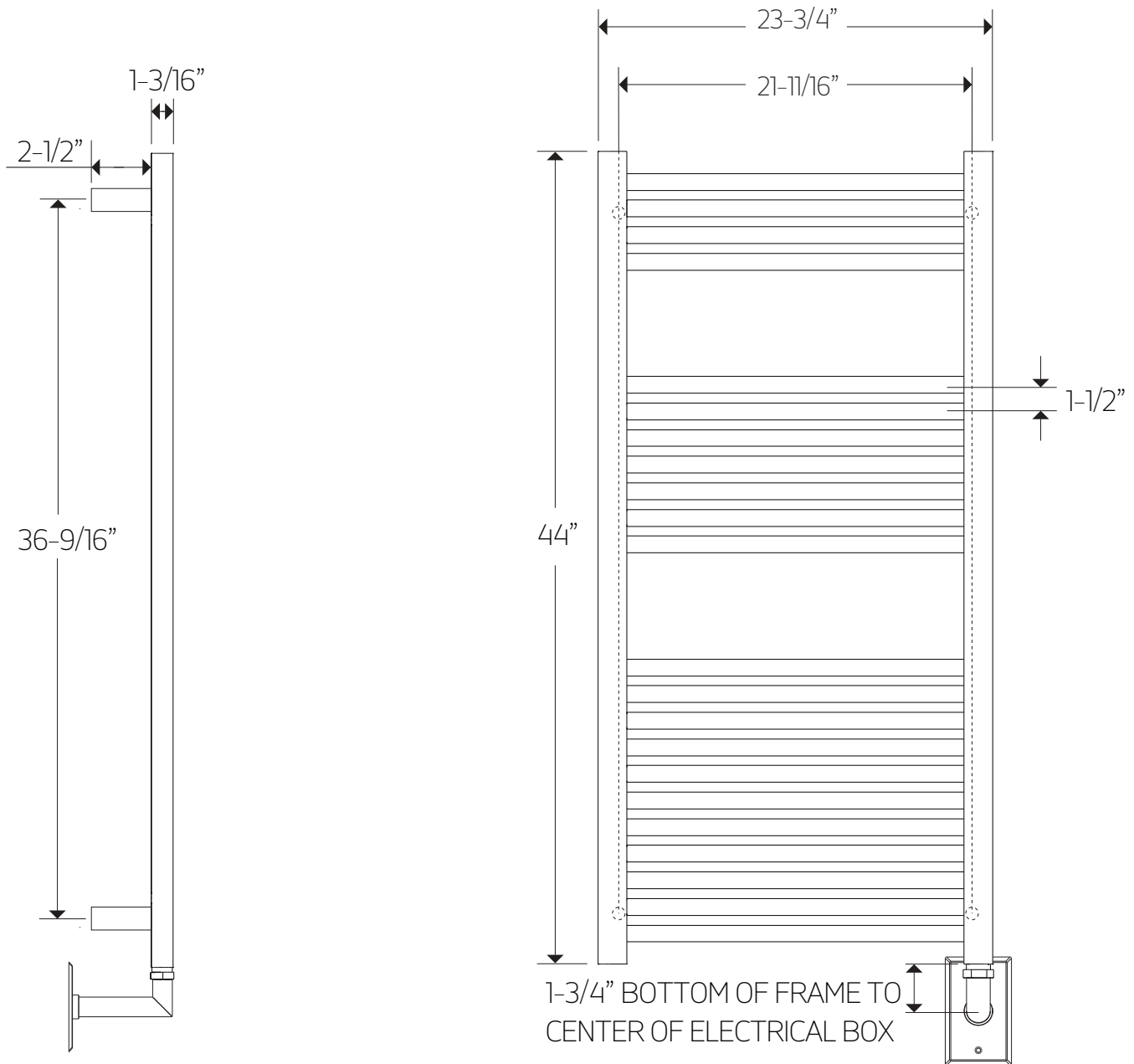
The towel warmer must be installed so that the Element is at the bottom.

artos[®]

M11160W

denby towel warmer,
hardwired

PRODUCT DIMENSIONS



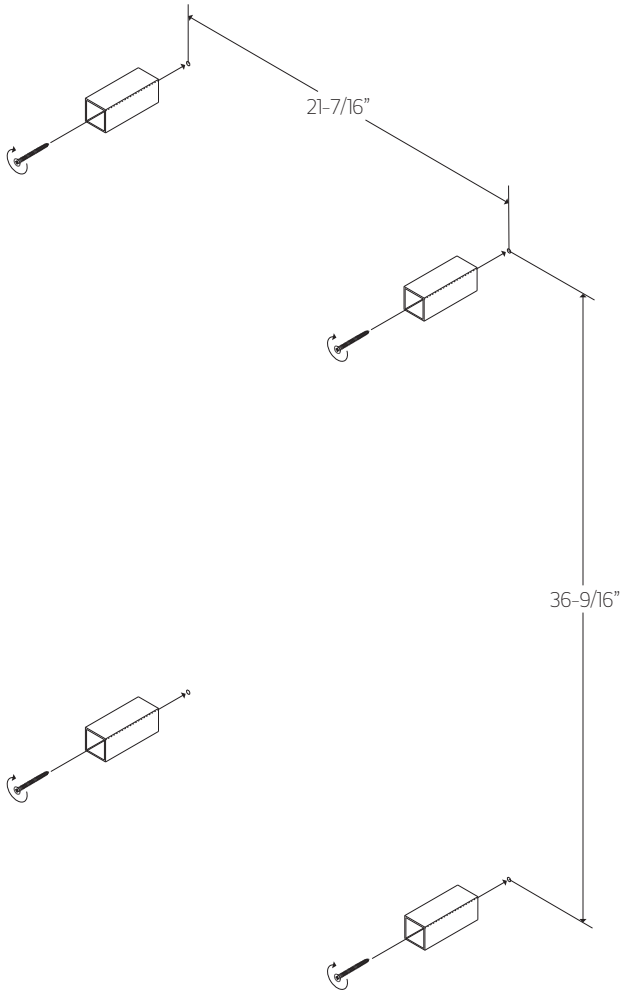
artos[®]

M11160W

denby towel warmer,
hardwired

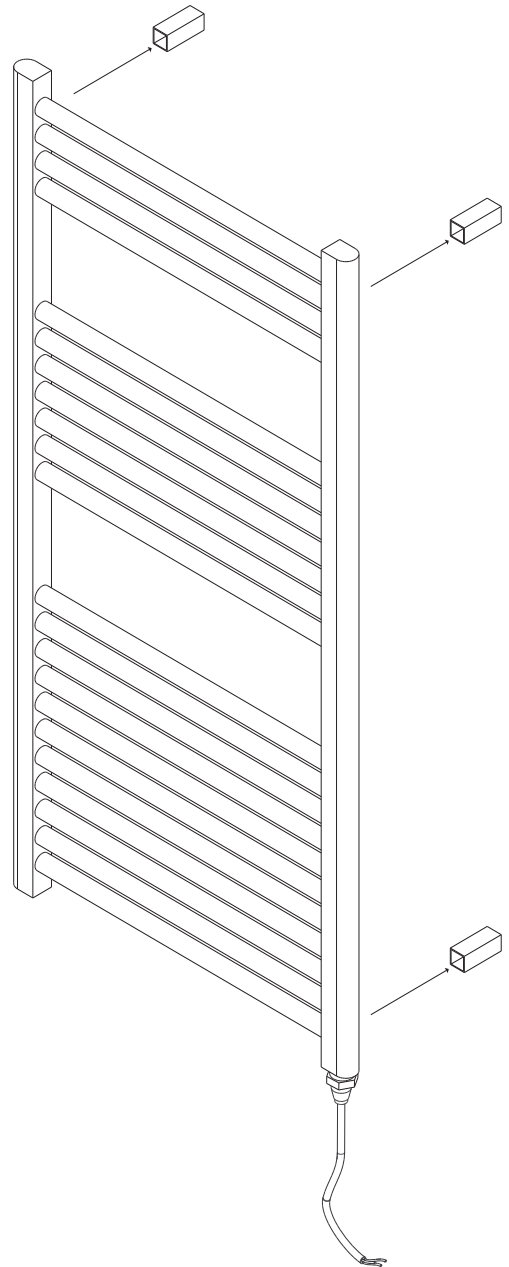
STEP 1

*ALL DIMENSIONS ARE APPROXIMATE FOR
BLOCKING PURPOSES, PLEASE MEASURE UNIT



WE RECOMMEND THAT AT LEAST
2 OF THE WALL BRACKETS ARE
SECURED INTO A STUD OR BACKER

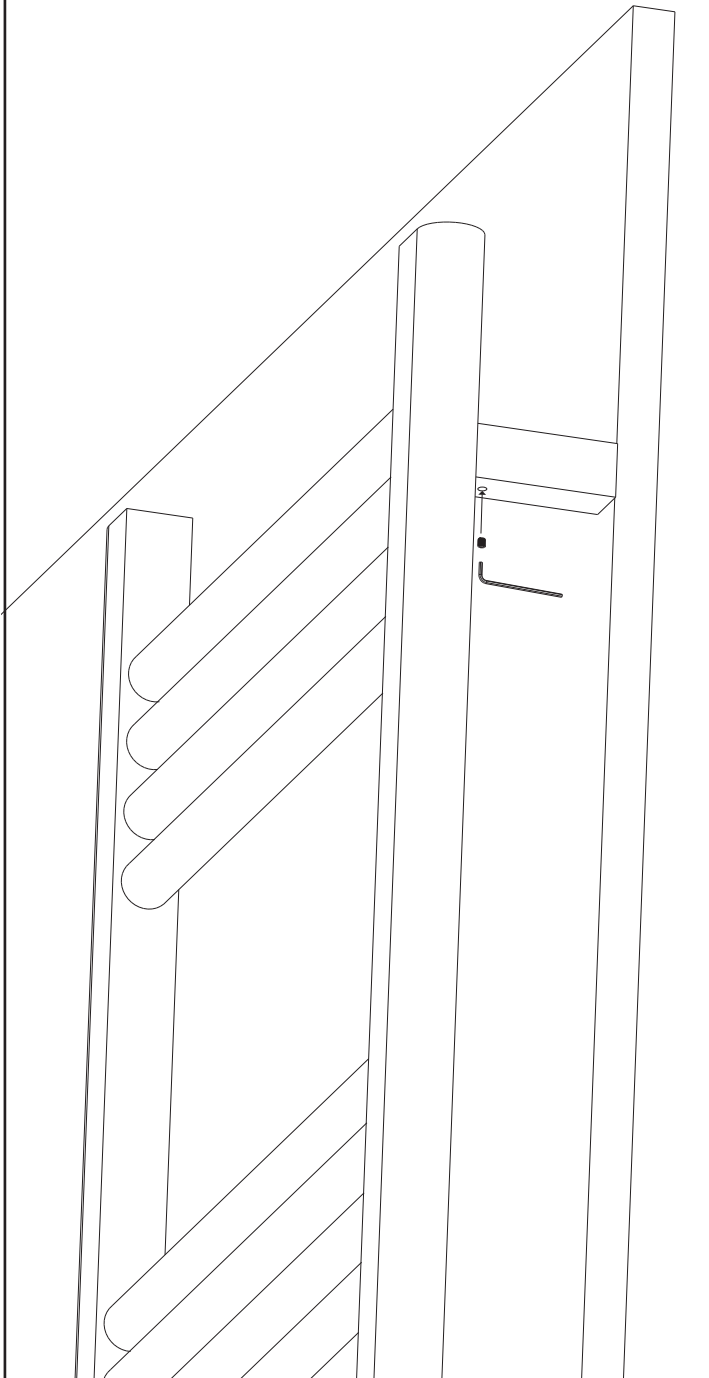
STEP 2



INSTALLATION STEPS

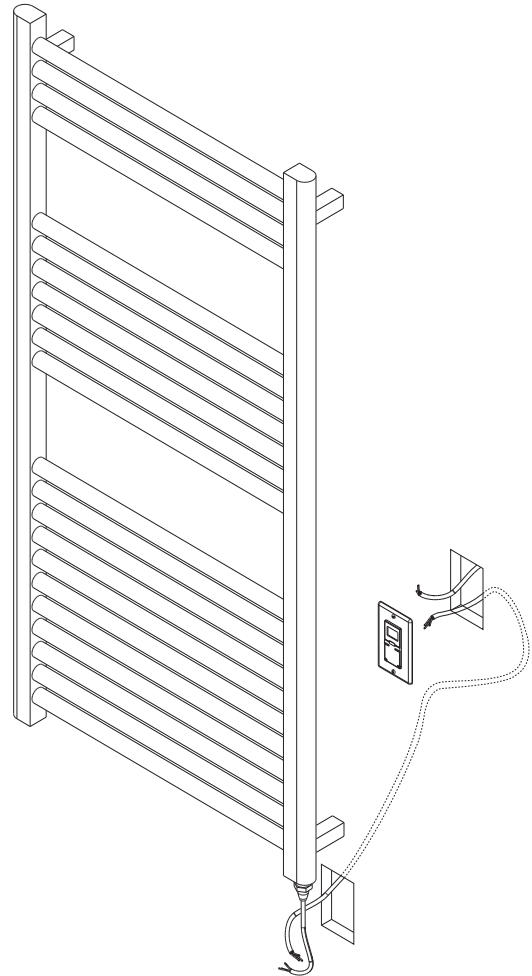
STEP 3

TIGHTEN SET SCREWS
(ONE PER BRACKET)

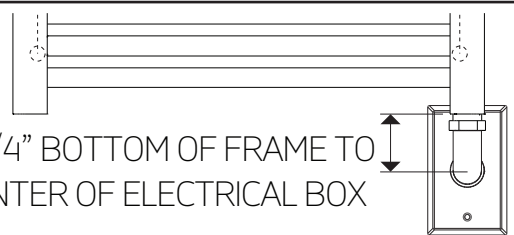


STEP 4

CHOOSE TIMER POSITION
TO SUIT SITUATION



1-3/4" BOTTOM OF FRAME TO
CENTER OF ELECTRICAL BOX



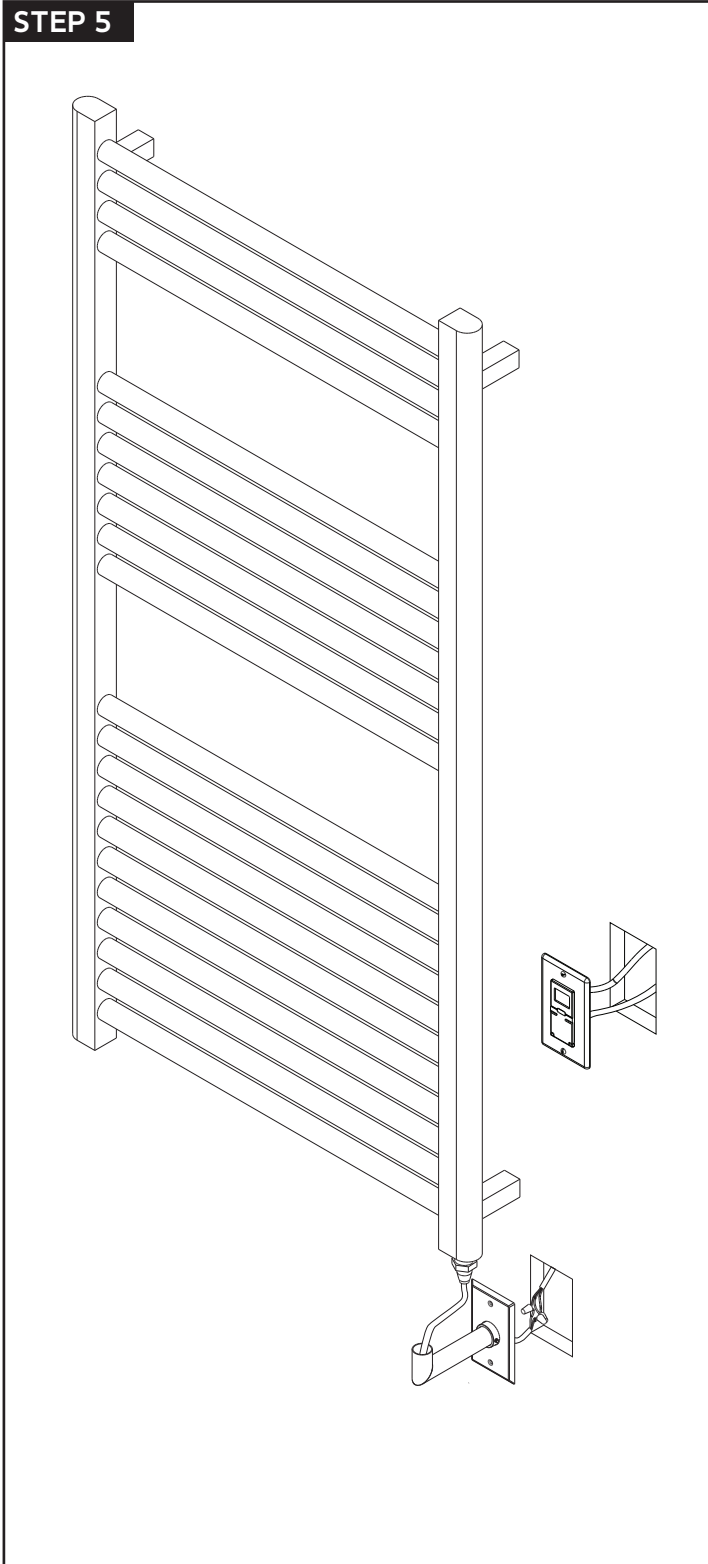
artos[®]

M11160W

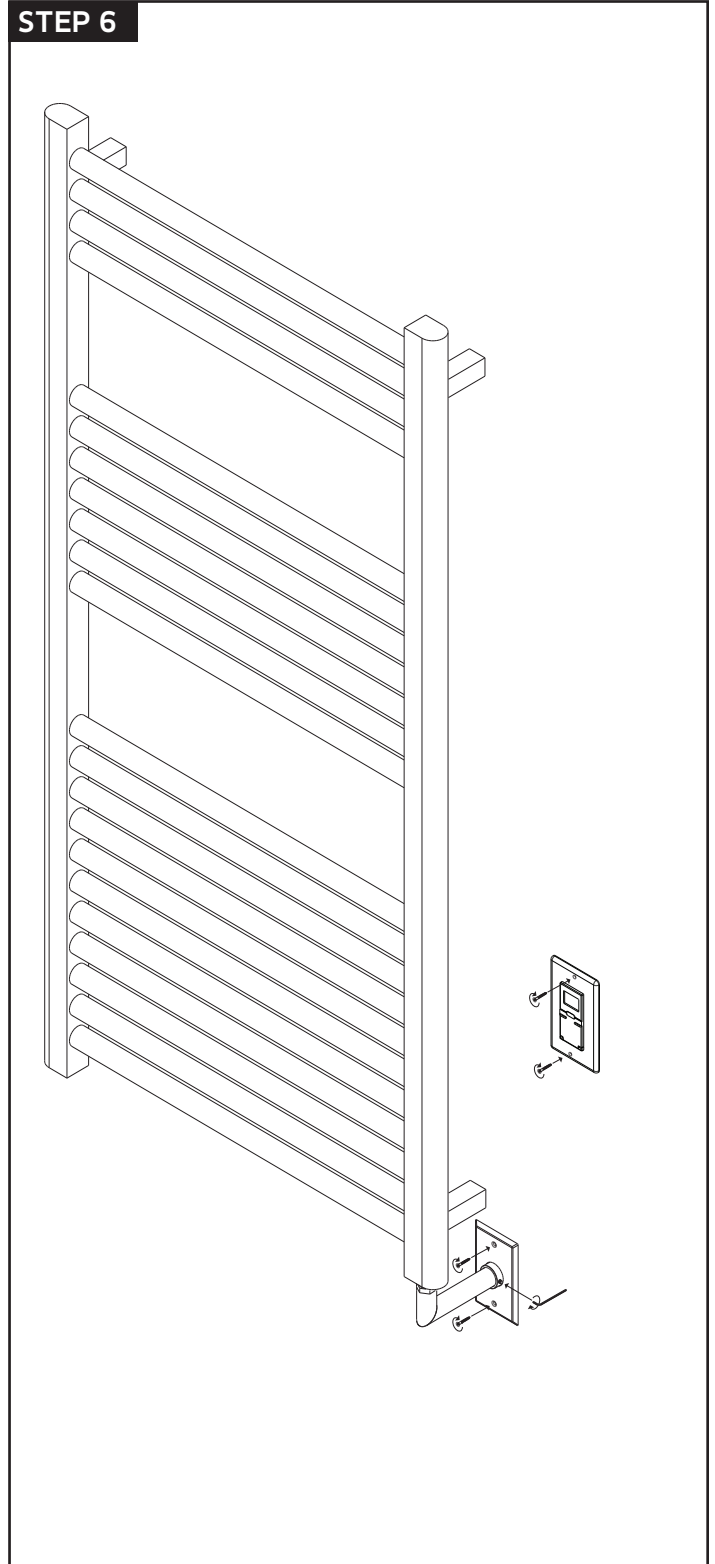
denby towel warmer,
hardwired

INSTALLATION STEPS

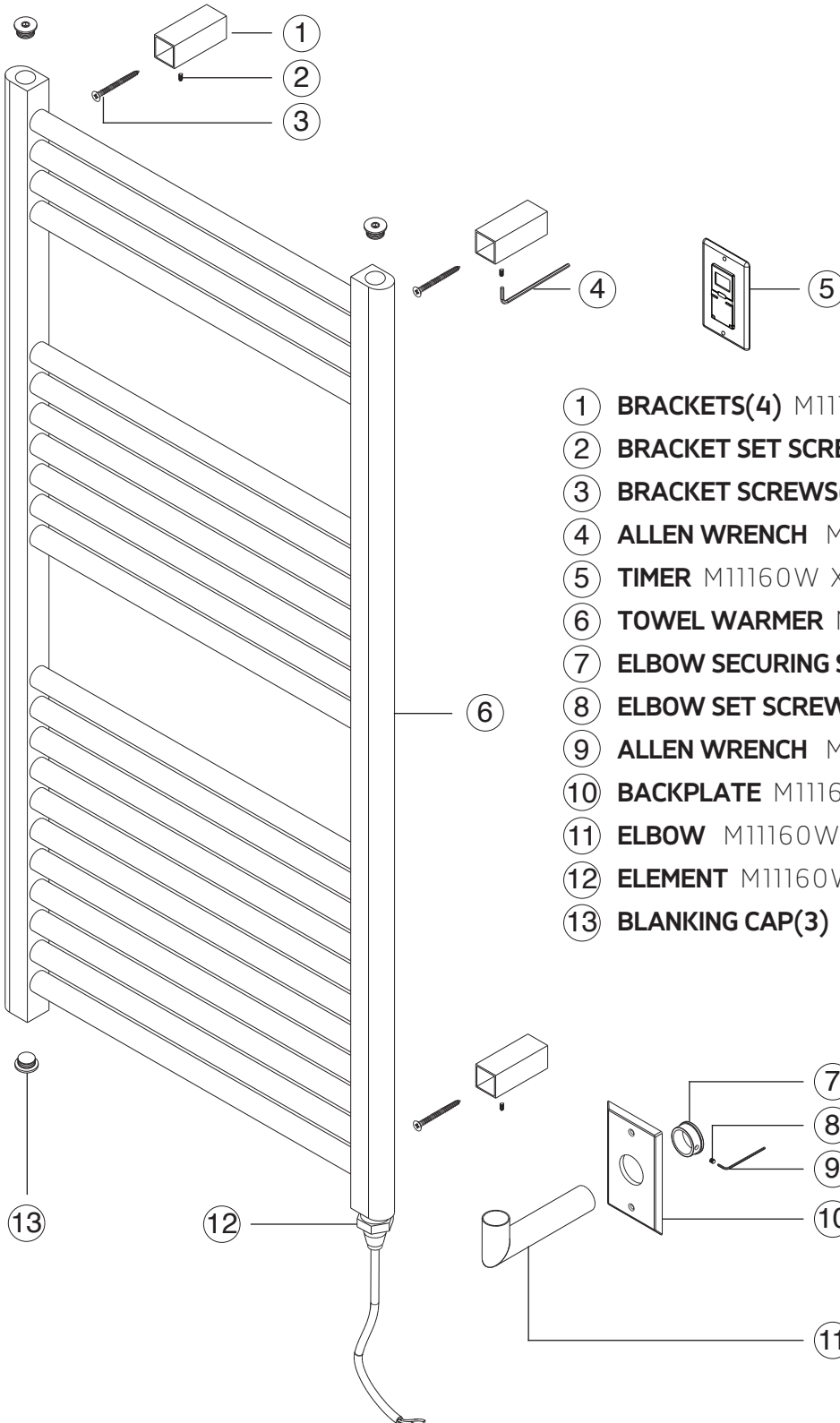
STEP 5



STEP 6



denby towel warmer,
hardwired



- ① **BRACKETS(4)** M11160W XP1
- ② **BRACKET SET SCREWS(4)** M11160W XP2
- ③ **BRACKET SCREWS(4)** M11160W XP3
- ④ **ALLEN WRENCH** M11160W XP4
- ⑤ **TIMER** M11160W XP5
- ⑥ **TOWEL WARMER** M11160W XP6
- ⑦ **ELBOW SECURING SLEEVE** M11160W XP7
- ⑧ **ELBOW SET SCREW** M11160W XP8
- ⑨ **ALLEN WRENCH** M11160W XP9
- ⑩ **BACKPLATE** M11160W XP10
- ⑪ **ELBOW** M11160W XP11
- ⑫ **ELEMENT** M11160W XP12
- ⑬ **BLANKING CAP(3)** M11160W XP13

artos[®]

M11160W

denby towel warmer,
hardwired

CARE & MAINTENANCE

For best results, keep the following in mind to retain the high quality finish of your artos[®] towel warmer:

- Use a soft, dampened sponge or cloth. On no account should you use an abrasive material such as a brush, scouring pad or steel wool to clean surfaces.
- Test your cleaning agent solution on an inconspicuous area before applying to the entire faucet.
- Wipe surfaces clean and rinse completely with water immediately after applying cleaning agent.
- An ideal cleaning technique is to rinse faucet thoroughly and blot dry any water from the surface after each use.

LIMITED WARRANTY

artos[®] towel warmers are guaranteed for five years against finishing defects and one year for the element as the original purchaser owns it.

Damage caused by accident, misuse, abuse, improper installation, improper cleaning or alteration will void the warranty. This warranty does not cover replacement parts where damage is caused by normal wear and tear. Westover, Inc is not responsible for labor charges, installation or other incidental or consequential costs. Proof of purchase must be provided with all claims.

Please register this product online at WWW.ARTOS.US.COM

ITEM NO. **M11160W**
SERIAL NO.