

# artos<sup>®</sup>

## M06875W

## INSTALLATION GUIDE

denby towel warmer,  
hardwired

BRUSHED NICKEL(BN)



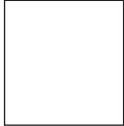
OIL RUBBED BRONZE(OB)



CHROME(CH)



WHITE(WH)



POLISHED NICKEL(PN)



BLACK(BK)



# artos<sup>®</sup>

## M06875W

denby towel warmer,  
hardwired

## OPERATING SPECIFICATIONS



### FEATURES

Towel warming, drying and auxiliary heating.

### ELEMENT

300W, 110V

### CODES

UL Approved  
CSA-US Approved

### REQUIREMENTS

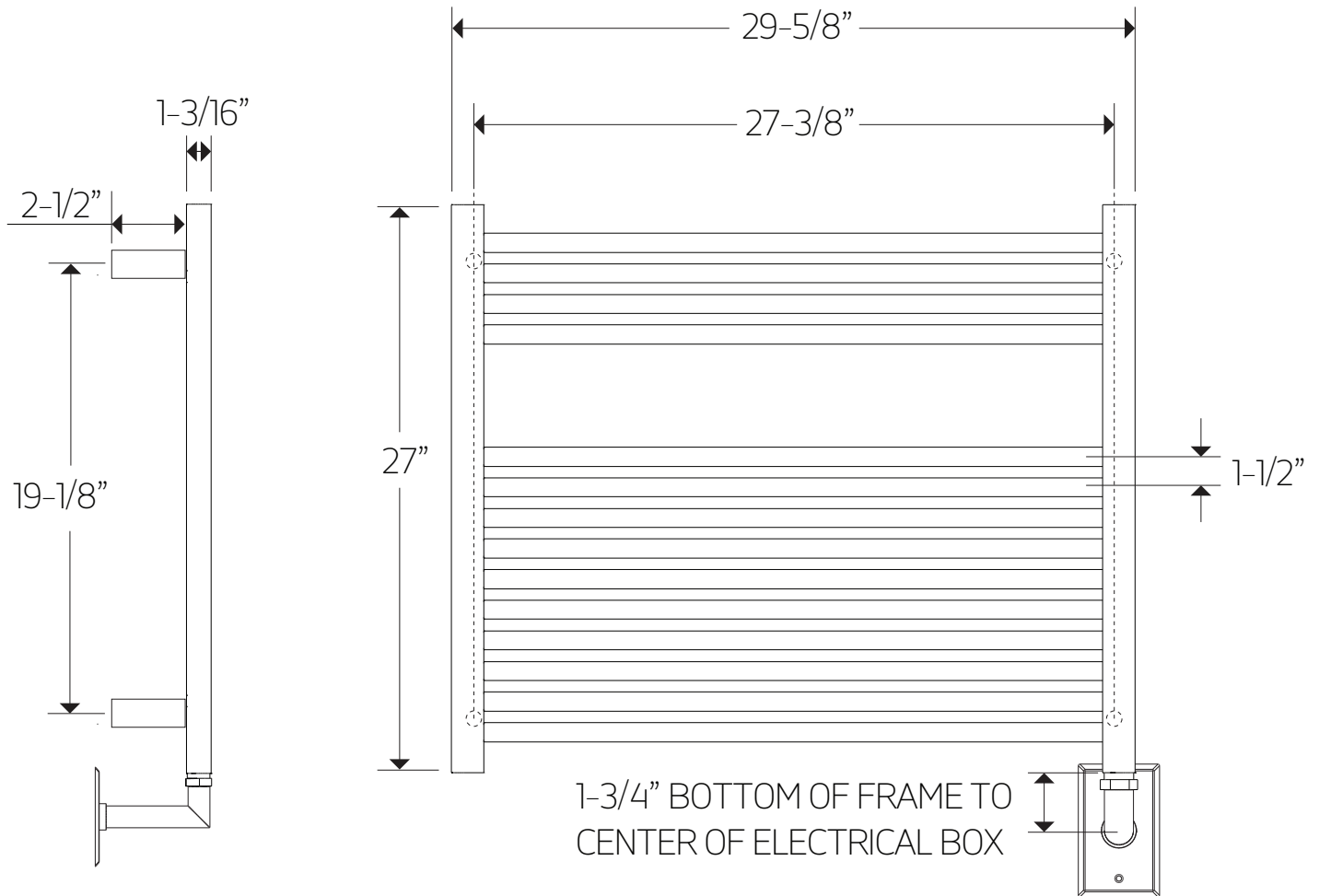
The towel warmer must be installed so that the Element is at the bottom.

# artos<sup>®</sup>

M06875W

## PRODUCT DIMENSIONS

denby towel warmer,  
hardwired



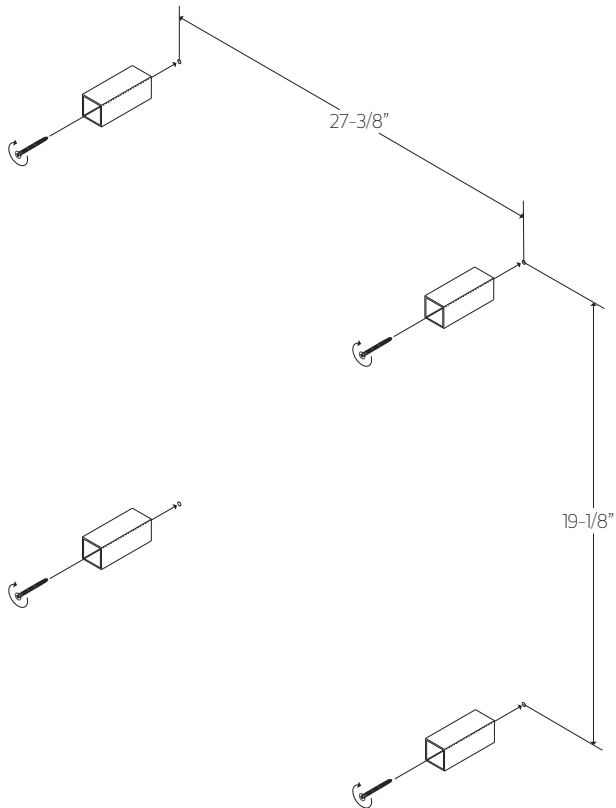
# artos<sup>®</sup>

## M06875W

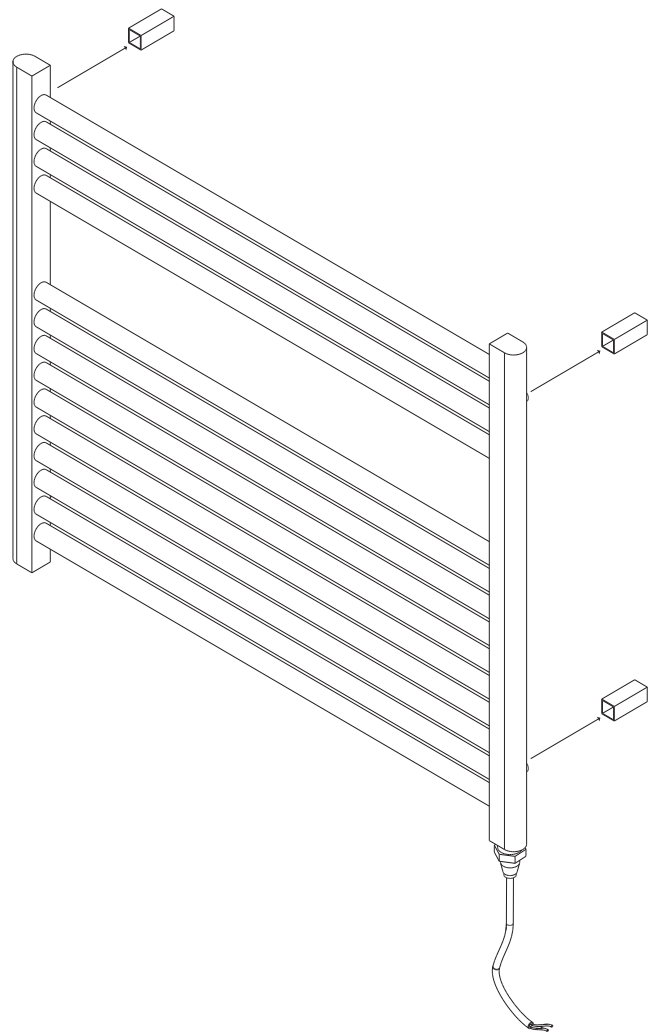
denby towel warmer,  
hardwired

### STEP 1

\*DIMENSIONS ARE APPROXIMATE,  
PLEASE MEASURE UNIT



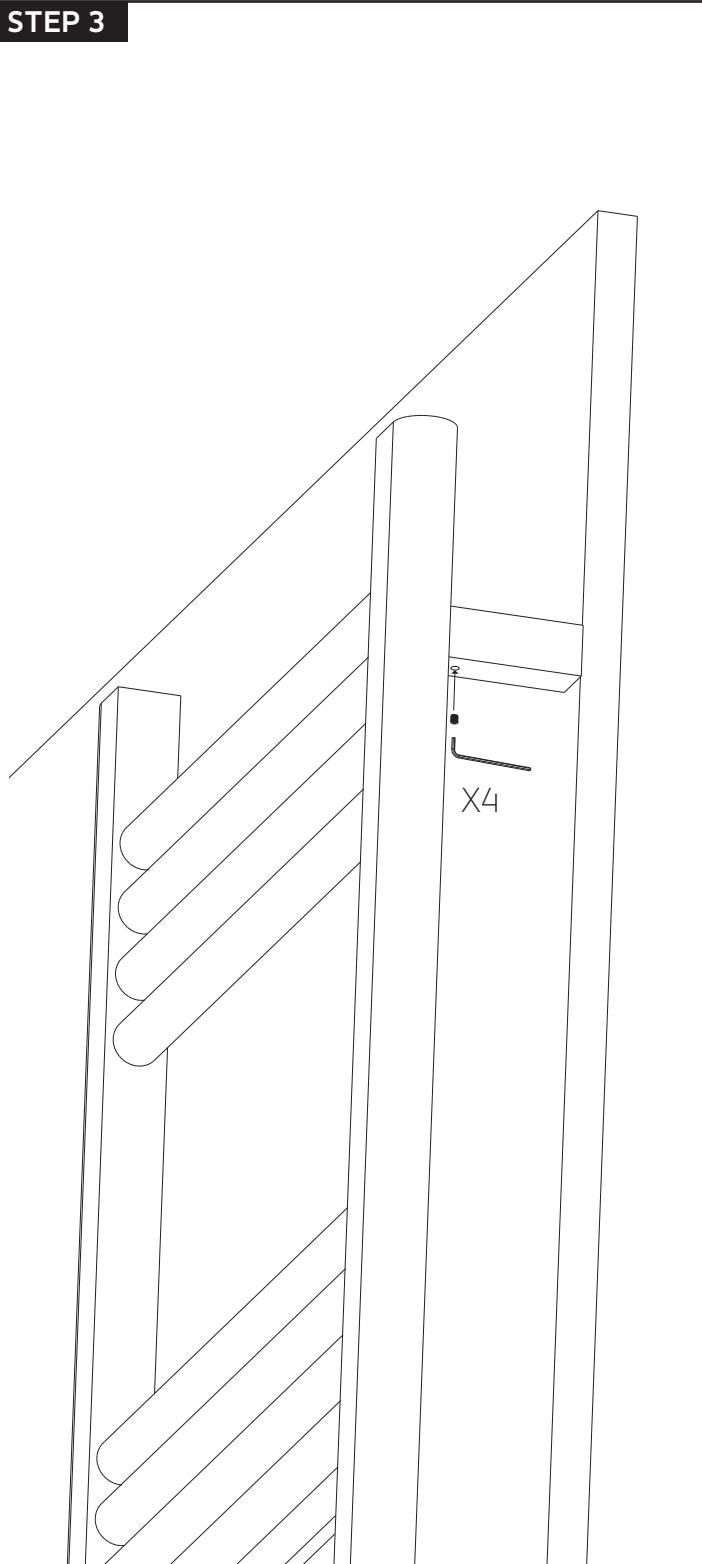
### STEP 2



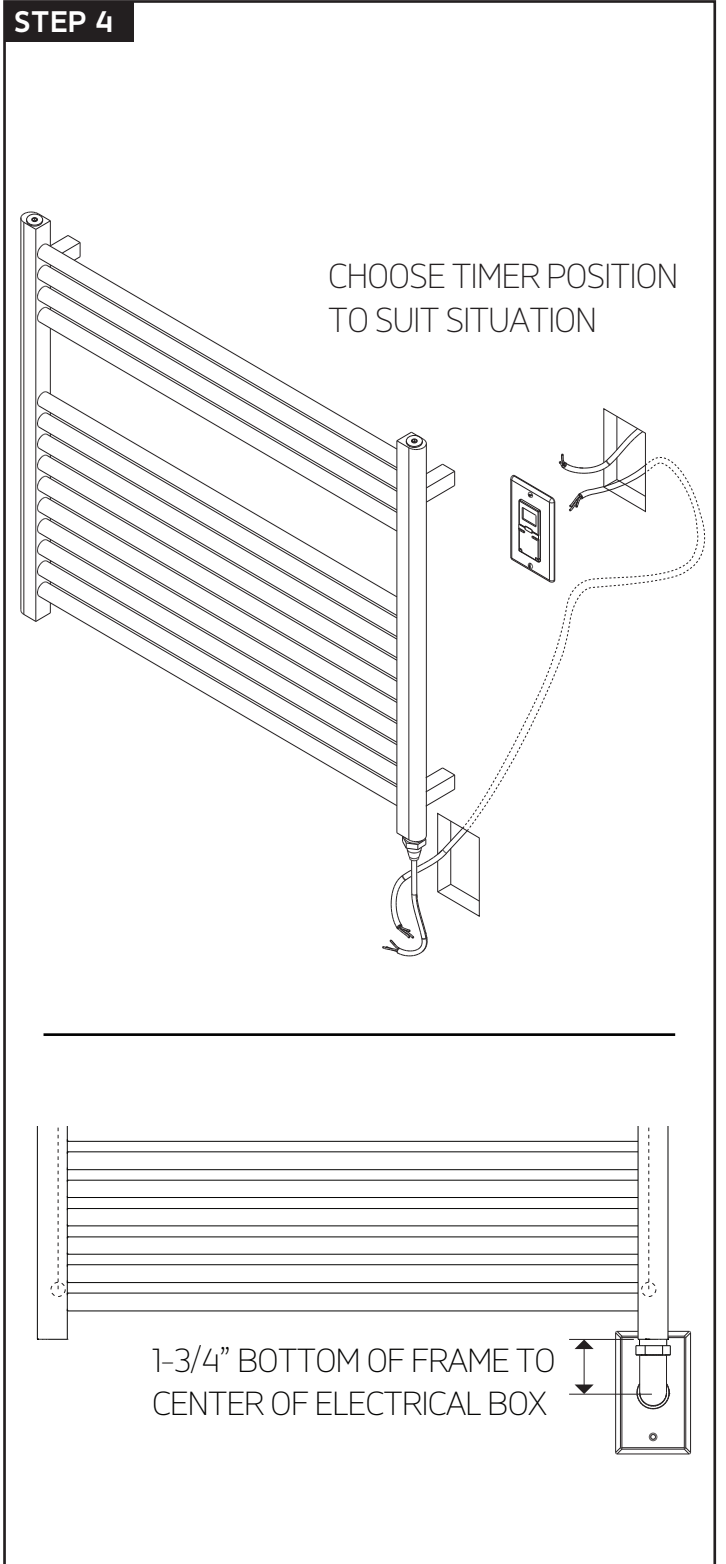
WE RECOMMEND THAT AT LEAST  
2 OF THE WALL BRACKETS ARE  
SECURED INTO A STUD OR BACKER

# INSTALLATION STEPS

## STEP 3



## STEP 4

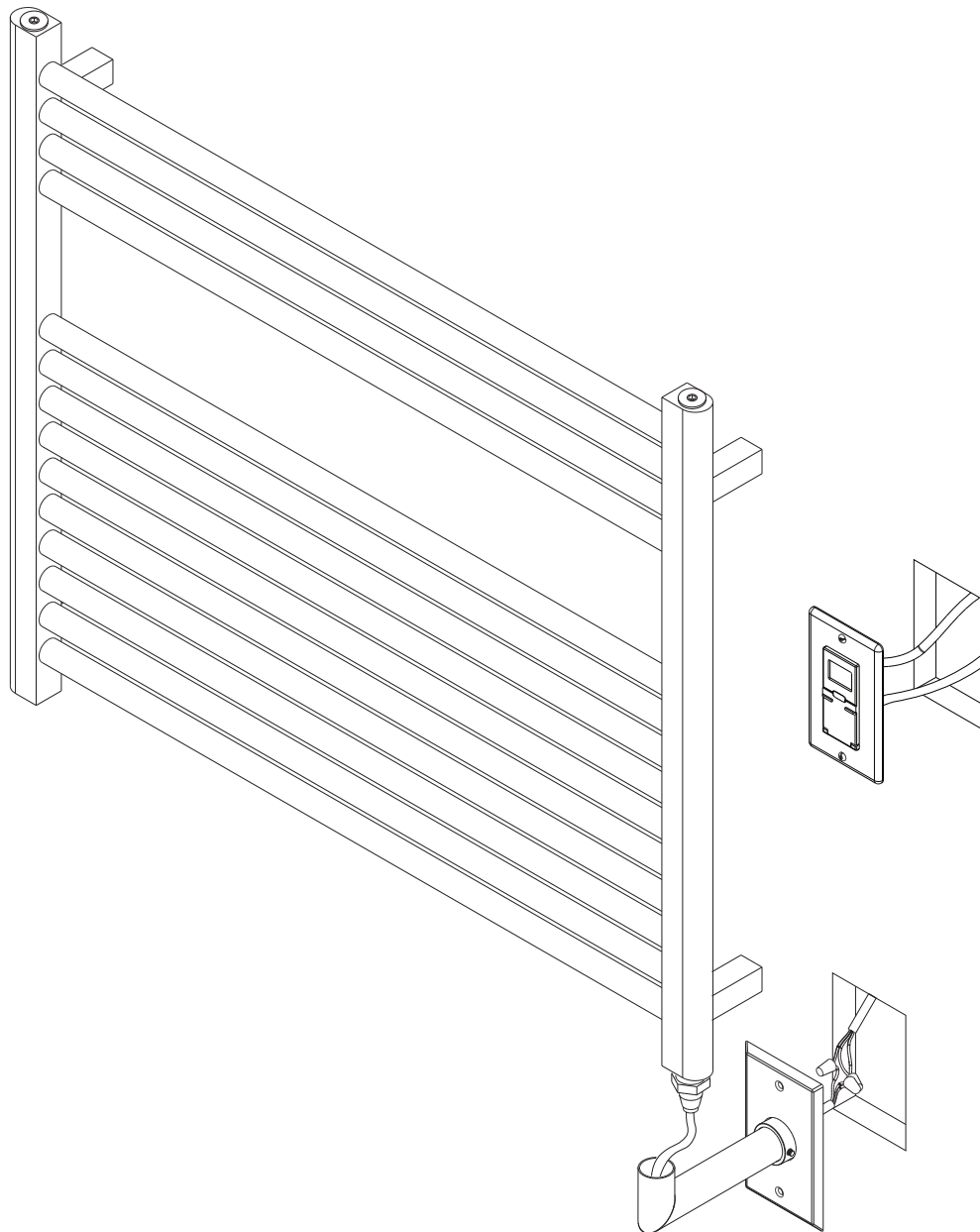


# artos<sup>®</sup>

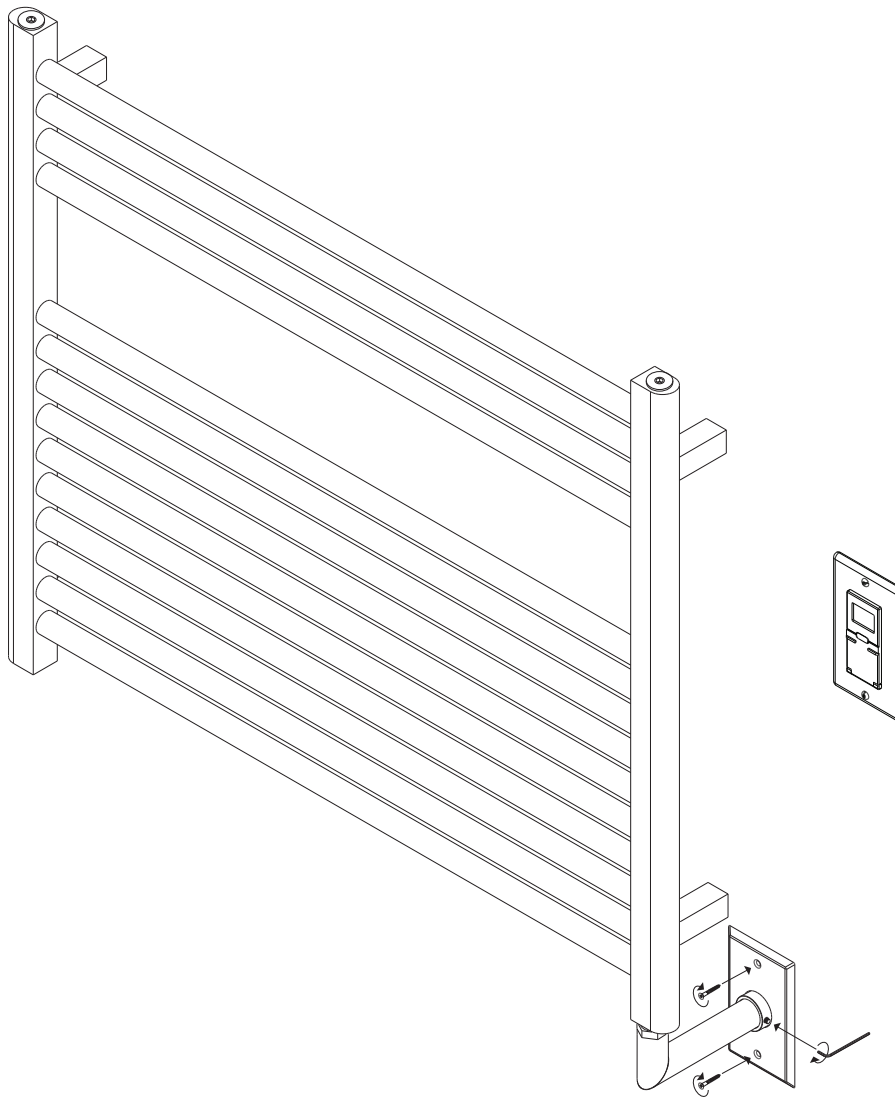
## M06875W

denby towel warmer,  
hardwired

### STEP 5



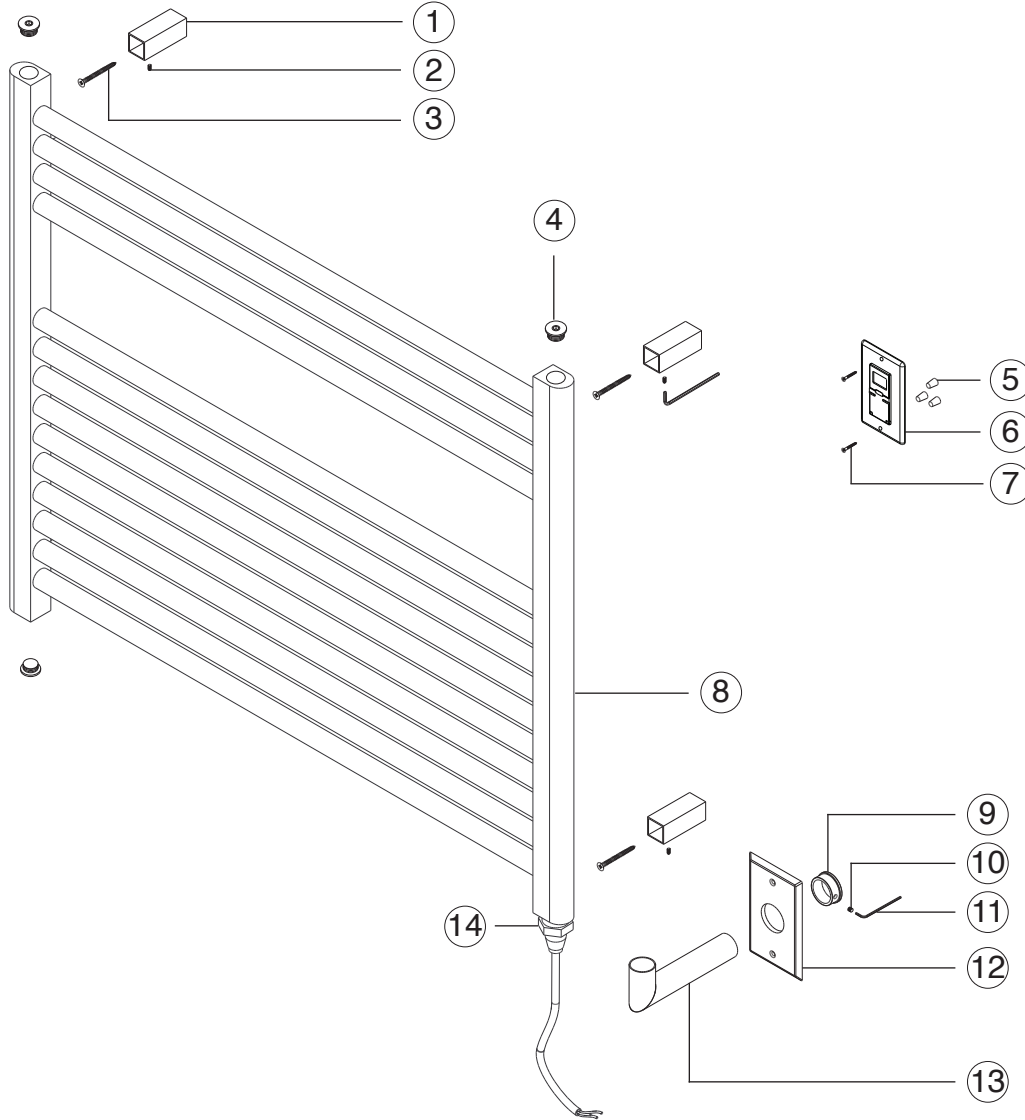
STEP 6



# artos<sup>®</sup>

## M06875W

denby towel warmer,  
hardwired



- ① **WALL BRACKET(4)** M06875W XP1
- ② **BRACKET SET SCREW(4)** M06875W XP2
- ③ **BRACKET SCREW(4)** M06875W XP3
- ④ **BLANKING CAP(3)** M06875W XP4
- ⑤ **WIRE NUTS(3)** M06875W XP5
- ⑥ **TIMER** M06875W XP6
- ⑦ **TIMER SCREWS(2)** M06875W XP7
- ⑧ **TOWEL WARMER** M06875W XP8
- ⑨ **ELBOW SECURING SLEEVE** M06875W XP9
- ⑩ **ELBOW SET SCREW** M06875W XP10
- ⑪ **ALLEN WRENCH** M06875W XP11
- ⑫ **BACKPLATE** M06875W XP12
- ⑬ **ELBOW** M06875W XP13
- ⑭ **ELEMENT** M06875W XP14



# artos<sup>®</sup>

## M06875W

denby towel warmer,  
hardwired

### CARE & MAINTENANCE

For best results, keep the following in mind to retain the high quality finish of your artos<sup>®</sup> towel warmer:

- Use a soft, dampened sponge or cloth. On no account should you use an abrasive material such as a brush, scouring pad or steel wool to clean surfaces.
- Test your cleaning agent solution on an inconspicuous area before applying to the entire faucet.
- Wipe surfaces clean and rinse completely with water immediately after applying cleaning agent.
- An ideal cleaning technique is to rinse faucet thoroughly and blot dry any water from the surface after each use.

### LIMITED WARRANTY

**artos<sup>®</sup> towel warmers are guaranteed for five years against finishing defects and one year for the element as the original purchaser owns it.**

Damage caused by accident, misuse, abuse, improper installation, improper cleaning or alteration will void the warranty. This warranty does not cover replacement parts where damage is caused by normal wear and tear. Westover, Inc is not responsible for labor charges, installation or other incidental or consequential costs. Proof of purchase must be provided with all claims.

Please register this product online at [WWW.ARTOS.US.COM](http://WWW.ARTOS.US.COM)

ITEM NO. **M06875W**  
SERIAL NO.