

# artos

M06875P

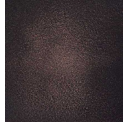
INSTALLATION GUIDE

denby towel warmer,  
plug-in

BRUSHED NICKEL(BN)



OIL RUBBED BRONZE(OB)



CHROME(CH)



WHITE(WH)



POLISHED NICKEL(PN)



# artos

M06875P

denby towel warmer,  
plug-in

## OPERATING SPECIFICATIONS



### FEATURES

Towel warming, drying and auxiliary heating.

### ELEMENT

300W, 110V

### CODES

UL Approved

CSA-US Approved

### REQUIREMENTS

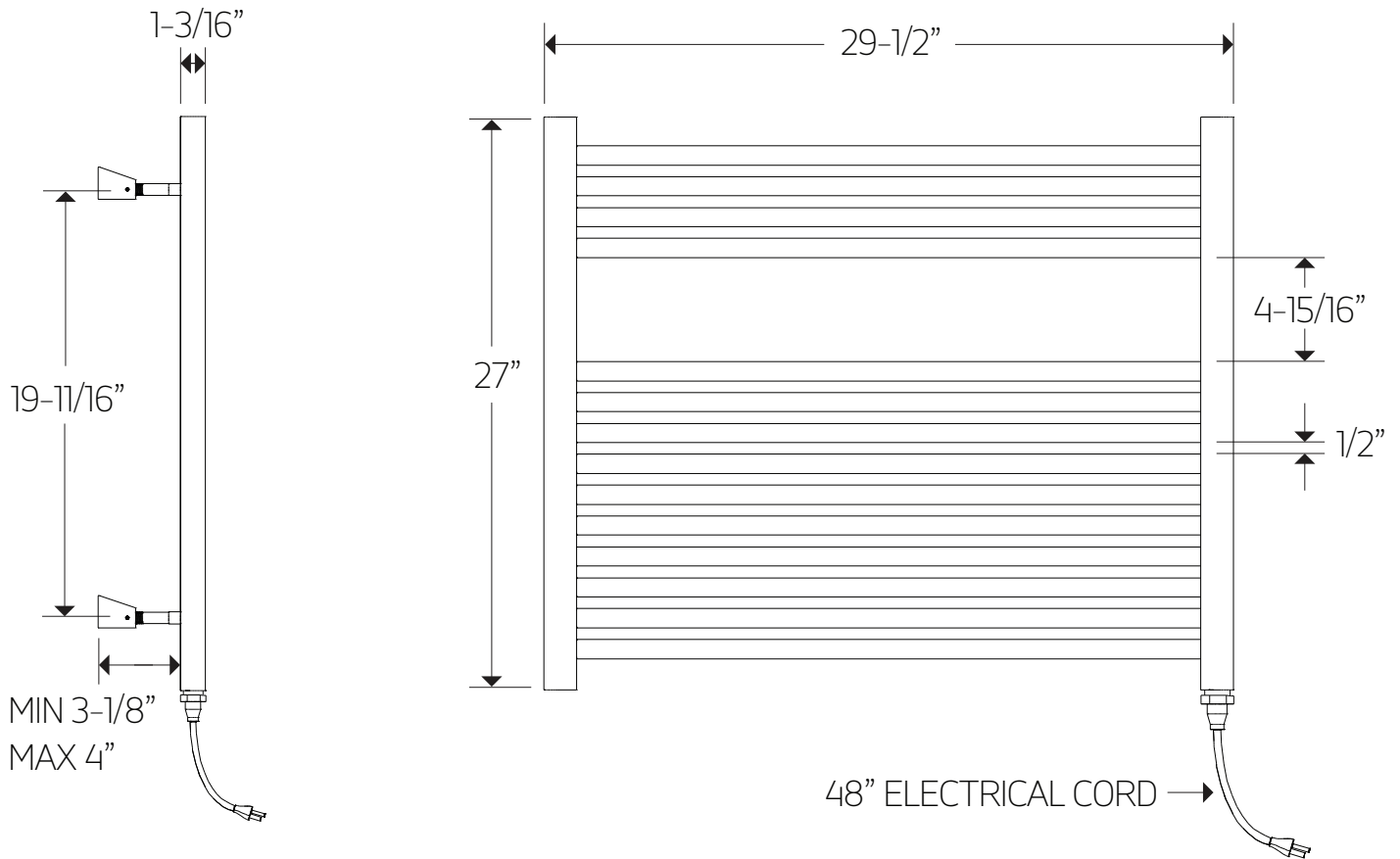
The towel warmer must be installed so that the Element is at the bottom.

# artos

M06875P

## PRODUCT DIMENSIONS

denby towel warmer,  
plug-in

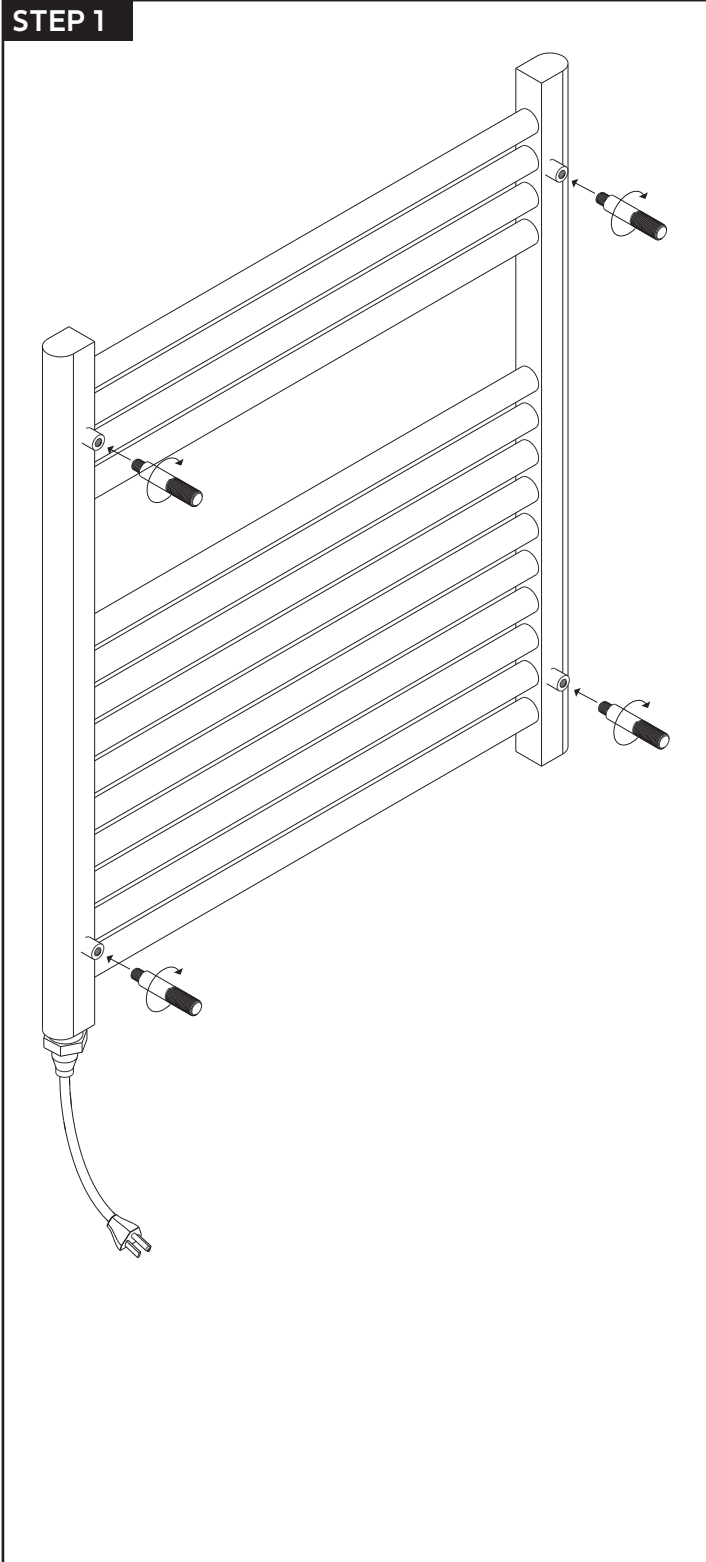


# artos

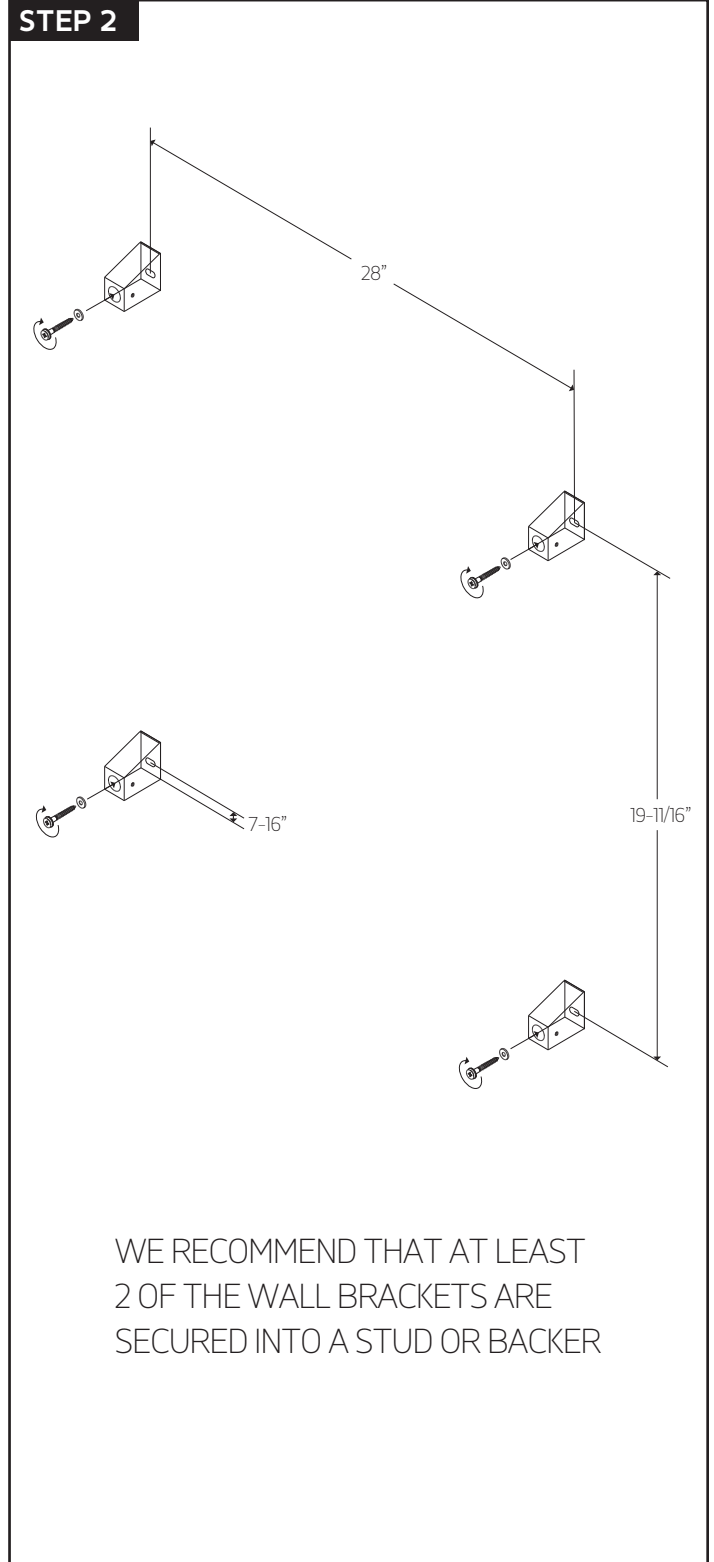
M06875P

denby towel warmer,  
plug-in

## STEP 1



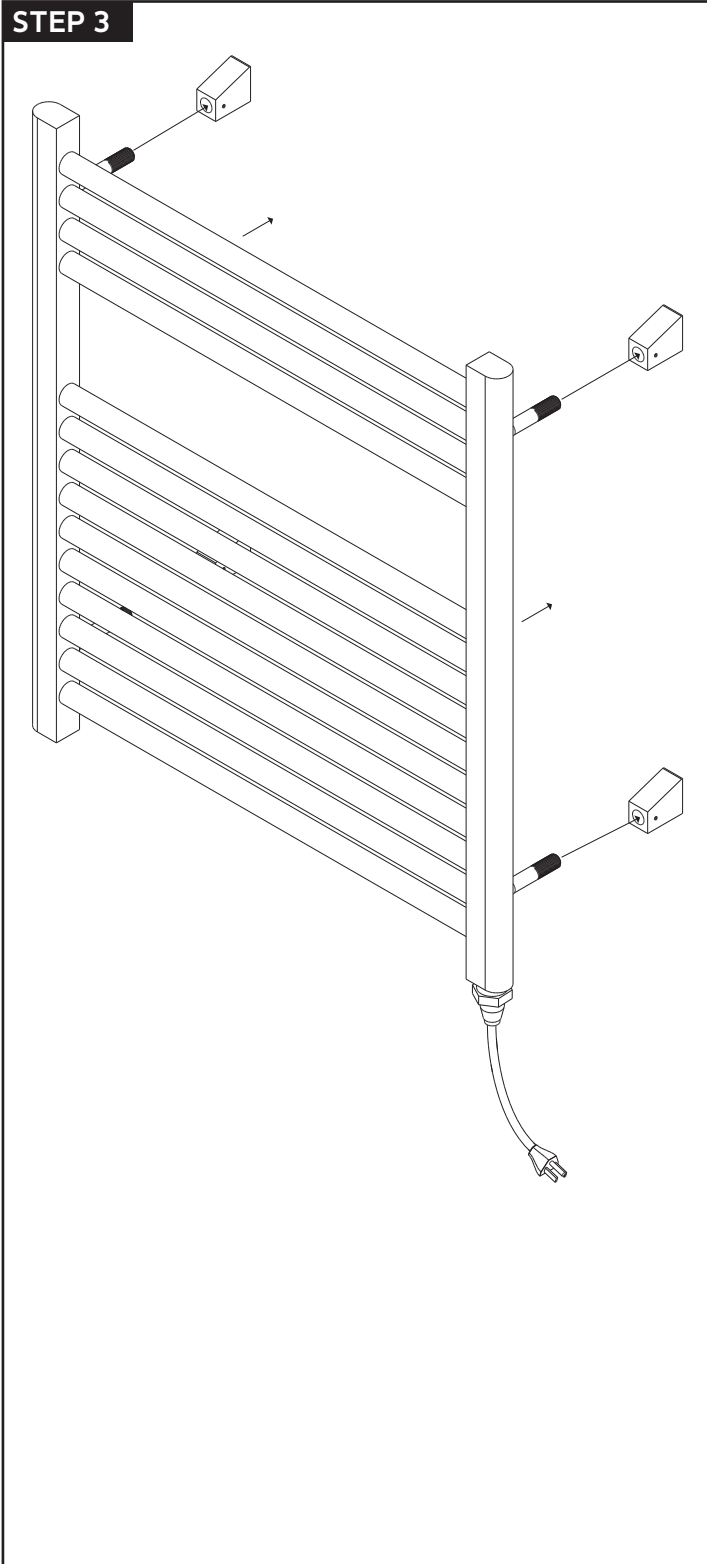
## STEP 2



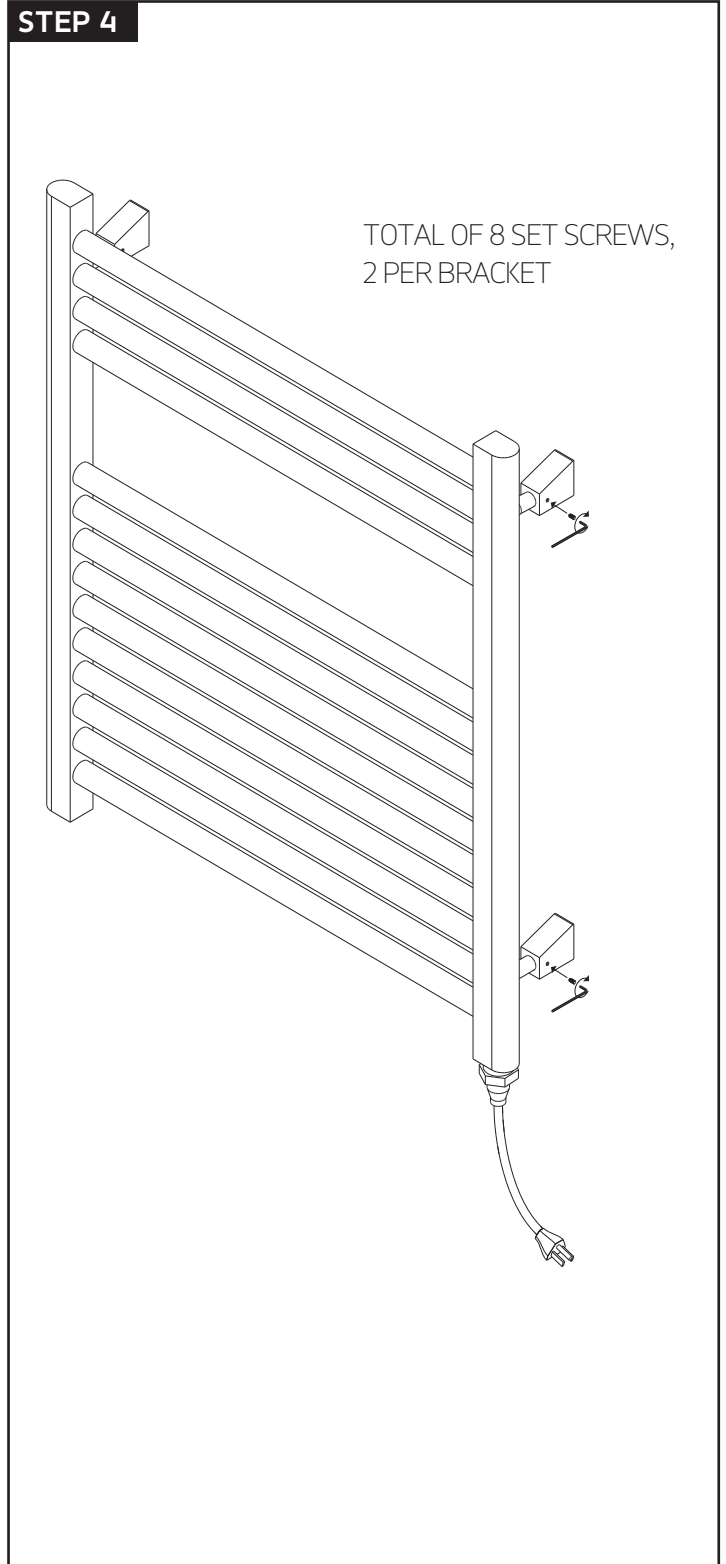
WE RECOMMEND THAT AT LEAST  
2 OF THE WALL BRACKETS ARE  
SECURED INTO A STUD OR BACKER

# INSTALLATION STEPS

## STEP 3



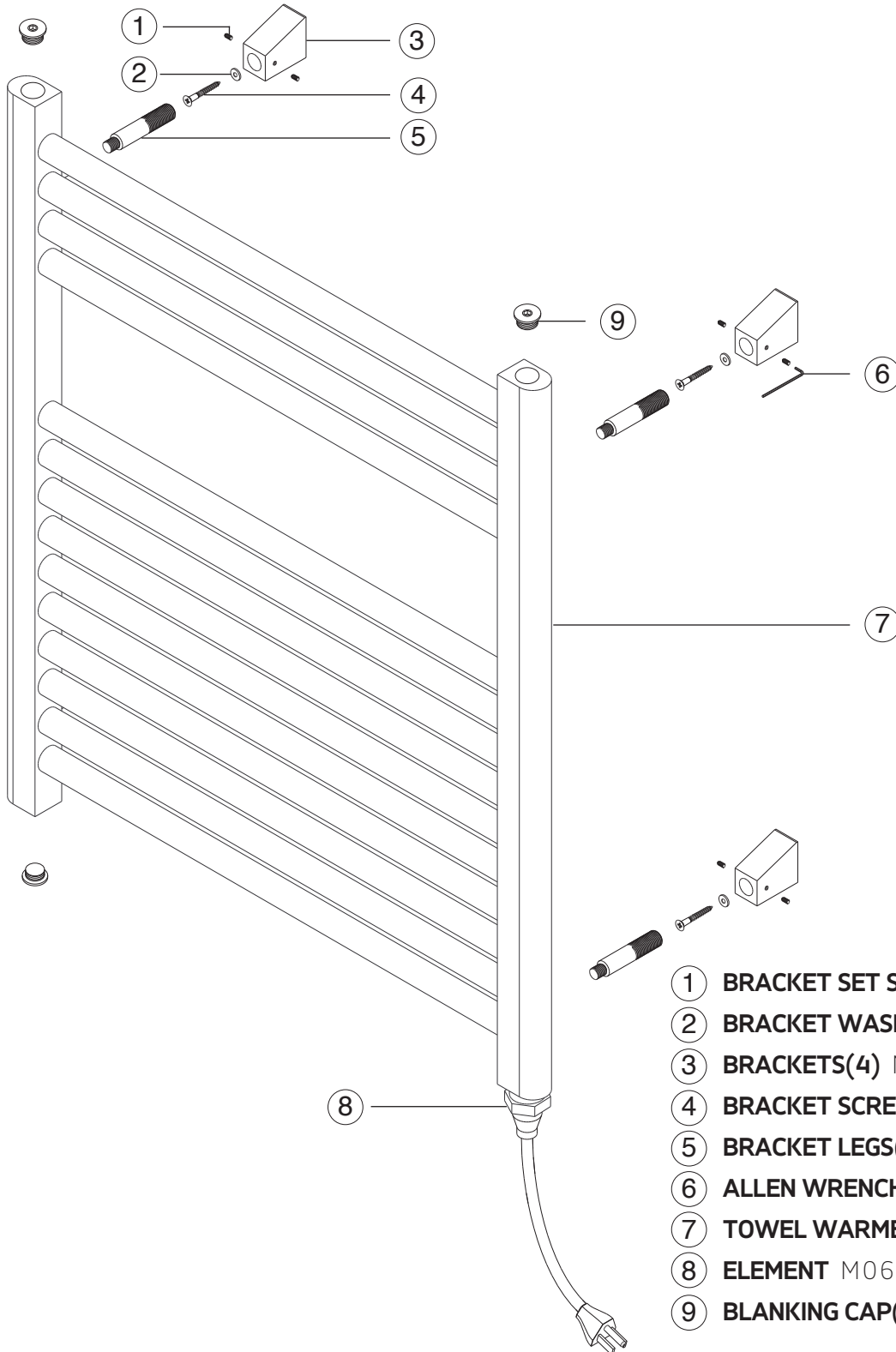
## STEP 4



# artos

M06875P

denby towel warmer,  
plug-in



- ① BRACKET SET SCREWS(8) M06875P XP1
- ② BRACKET WASHERS(4) M06875P XP2
- ③ BRACKETS(4) M06875P XP3
- ④ BRACKET SCREWS(4) M06875P XP4
- ⑤ BRACKET LEGS(4) M06875P XP5
- ⑥ ALLEN WRENCH M06875P XP6
- ⑦ TOWEL WARMER M06875P XP7
- ⑧ ELEMENT M06875P XP8
- ⑨ BLANKING CAP(3) M06875P XP9

# artos

M06875P

denby towel warmer,  
plug-in

## CARE & MAINTENANCE

For best results, keep the following in mind to retain the high quality finish of your artos® towel warmer:

- Use a soft, dampened sponge or cloth. On no account should you use an abrasive material such as a brush, scouring pad or steel wool to clean surfaces.
- Test your cleaning agent solution on an inconspicuous area before applying to the entire faucet.
- Wipe surfaces clean and rinse completely with water immediately after applying cleaning agent.
- An ideal cleaning technique is to rinse faucet thoroughly and blot dry any water from the surface after each use.

## LIMITED WARRANTY

**artos® towel warmers are guaranteed for five years against finishing defects and one year for the element as the original purchaser owns it.**

Damage caused by accident, misuse, abuse, improper installation, improper cleaning or alteration will void the warranty. This warranty does not cover replacement parts where damage is caused by normal wear and tear. Westover, Inc is not responsible for labor charges, installation or other incidental or consequential costs. Proof of purchase must be provided with all claims.

Please register this product online at [WWW.ARTOS.US.COM](http://WWW.ARTOS.US.COM)

ITEM NO. **M06875P**  
SERIAL NO.