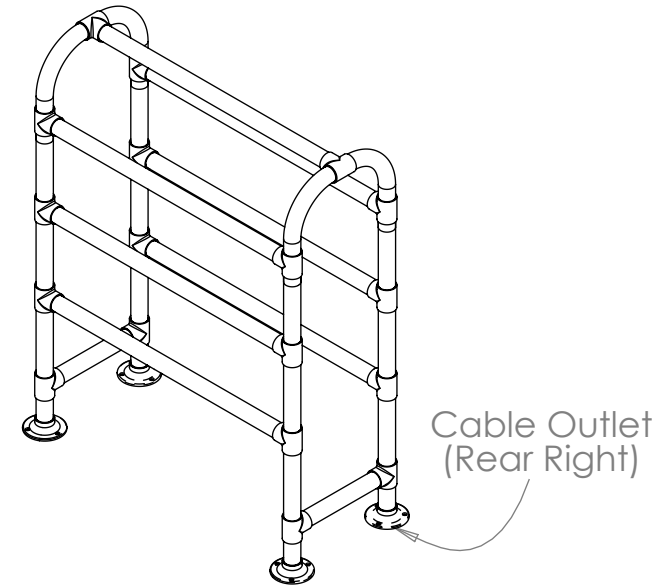
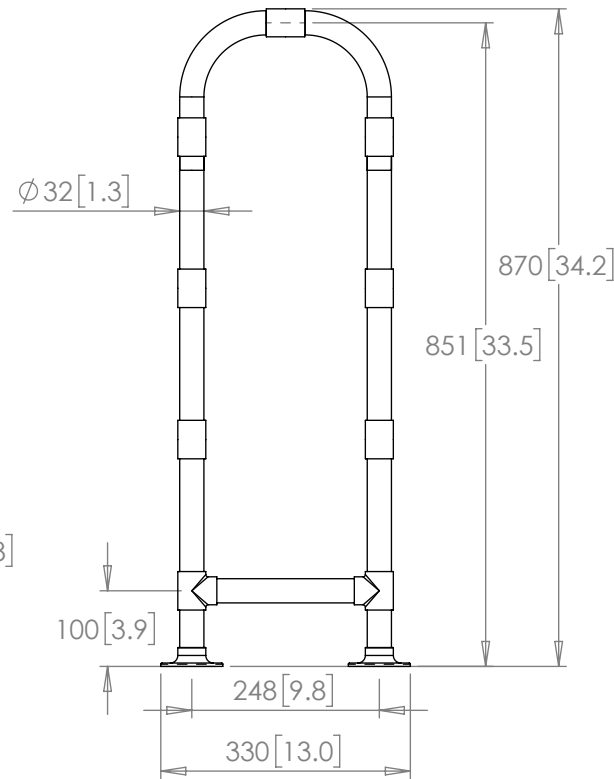
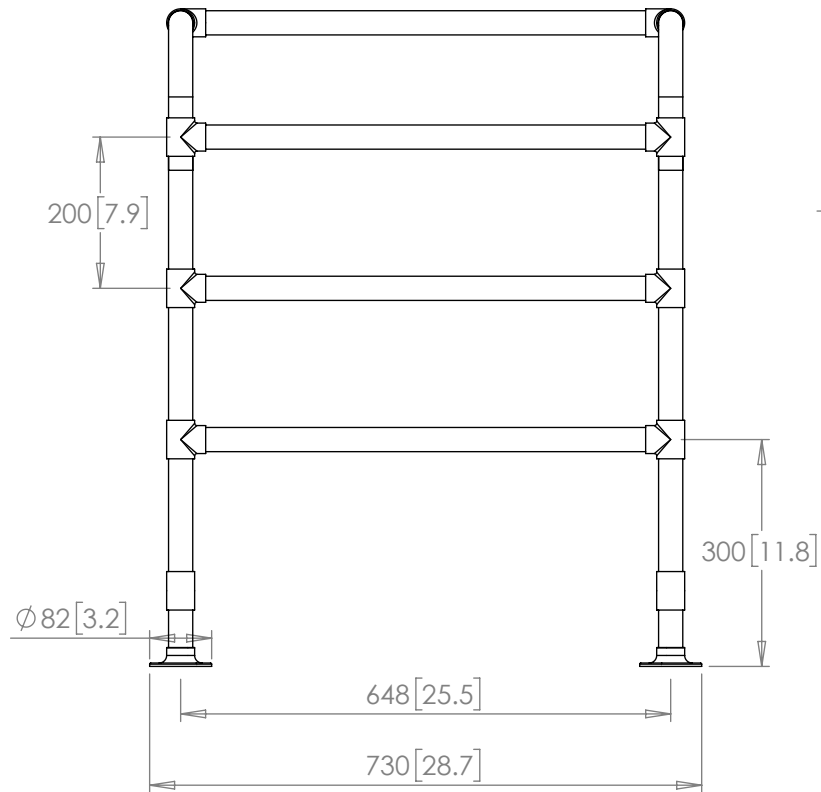


KINGSWOOD 7 RAIL

KING-7-E-870-730-xx

13 July 2023

UB - UNLACQUERED BRASS	BB - BRUSHED BRASS
CP - POLISHED CHROME	BC - BRUSHED CHROME
NP - POLISHED NICKEL	BN - BRUSHED NICKEL
LB - LIGHT ANTIQUE BRONZE	LAB - LIGHT ANTIQUE BRONZE
MB - MEDIUM BRONZE	MAB - MEDIUM ANTIQUE BRONZE
DB - DARK BRONZE	DAB - DARK ANTIQUE BRONZE
GP - GOLD PLATED	BG - BRUSHED GOLD
GM - GUN METAL	AG - ANTIQUE GOLD
MWPP - MATT WHITE P.COAT	MBP - MATT BLACK P.COAT



THE STERLINGHAM CO. LTD.

SCALE: 1:10 | APPROX WEIGHT 9.68KG

MANUFACTURED FROM BRASS

Units 2 & 2A Stamford Street
Amblecote, Stourbridge,
Worcestershire
England, DY8 4HR

Telephone : 01384 370901
Fax : 01384 880159
sales@sterlingham.co.uk
USsales@sterlingham.co.uk
www.sterlingham.co.uk



Handmade
in the heart of
BRITAIN