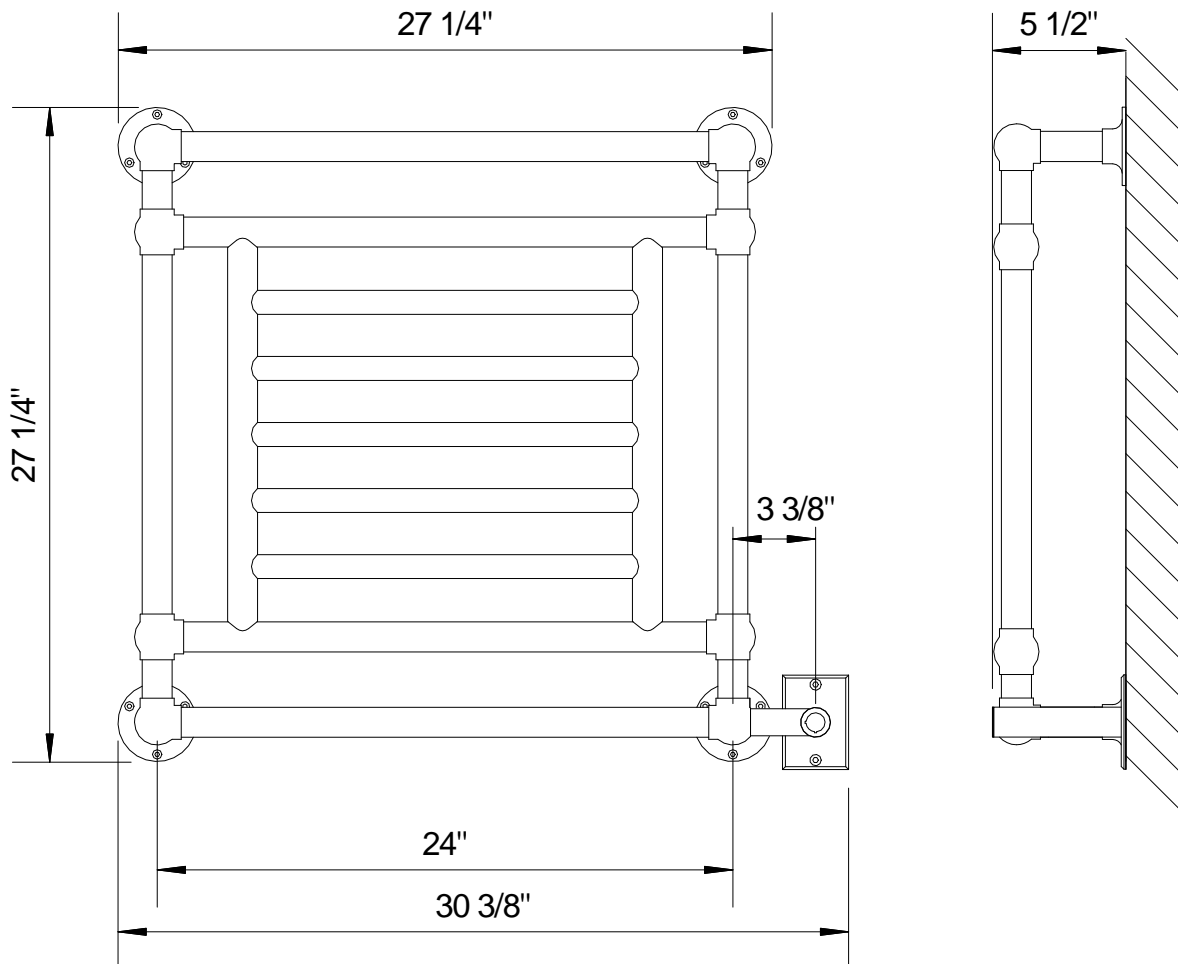




Salmon EB31-1 Traditional ELECTRIC

Technical Information

- 120VAC 60Hz 200W 1.82A
- 1-1/4" Diameter Brass Tubing
- Smart Thermo Control Element
- 55 lbs.



EB31-1
No Scale
REV A 9/30/09