

Features

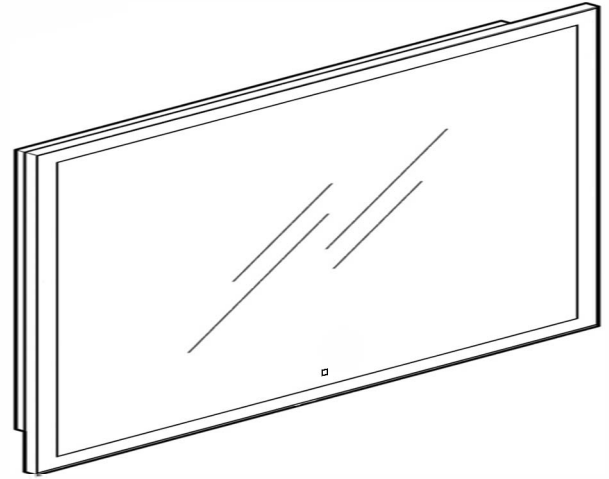
- Backlit LED Mirror
- One touch **switch** with dimmer and memory function
- Energy efficient LED lighting 6500K ,white color
- CRI 80+
- Includes Defogger , with push button
- MEANWELL brand LED driver (50W)
- Luminous : 2937LM
- AQUADOM Acrylight Technology (Front & Side Lighting)

Construction

- Aluminum frame
- Quality polished edge mirror
- Single field wire installation
- Constructed for surface mounting
- Includes installation hardware

Codes/Standards Applicable

- EDGE Mirror is ETL certified to:
 - UL 962
 - CSA Standard C22.2 No. 250.0



Dimensions

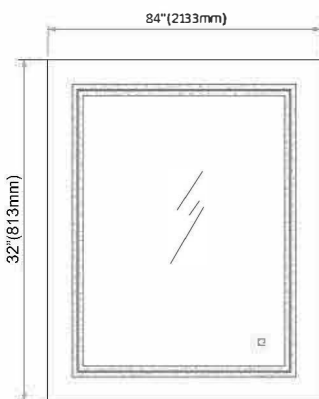
Height: 32" (813 mm)

Width: 84" (2133mm)

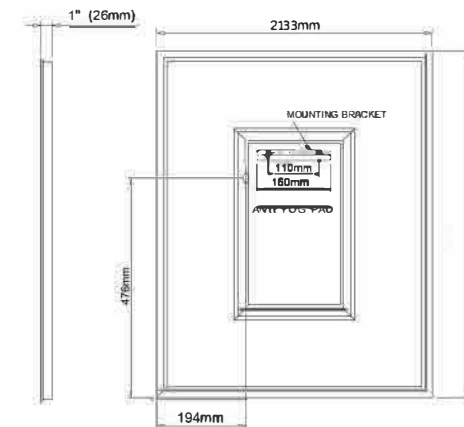
Depth: 1" (26 mm)

Electrical System

- INPUT : 110-240V~ 0.6A 50/60Hz
- OUTPUT : max.13V
- Field Wire location as shown in drawing
- Circuit Diagram

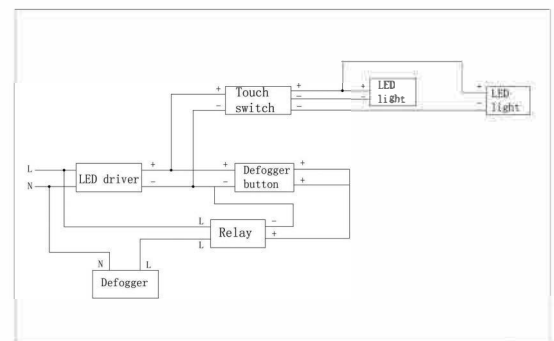


Front view



Side view

Back view for electrical knockout location



Circuit diagram