

Features

- 3D LED Color Temperature Lights
- 2 Touch sensors with Dimmer and memory function
- Energy efficient LED lighting 3000-6500K CCT
- CRI 80+
- Includes Digital Clock
- Includes Defogger with push button
- MEANWELL brand LED driver (50W)
- Single color (3000K / 6500K) : 1250LM
- Mixed color (4000-4700K) : 2500LM

Construction

- Aluminum frame
- Quality polished edge mirror
- Single field wire installation
- Constructed for surface mounting
- Includes installation hardware



Codes/Standards Applicable

- DAYTONA Mirror is ETL certified to:
 - UL 962
 - CSA Standard C22.2 No. 250.0

Dimensions

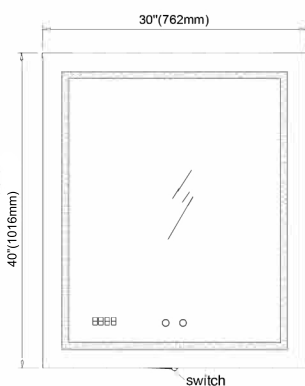
Height: 40" (1016 mm)

Width: 30" (762 mm)

Depth: 1" (26 mm)

Electrical System

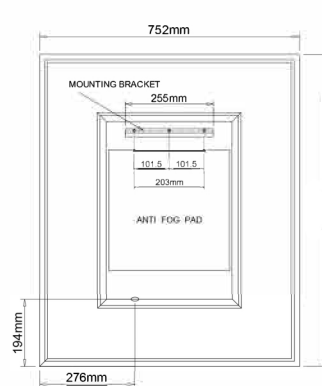
- INPUT : 110-240V~ 0.6A 50/60Hz
- OUTPUT : max.13V
- Field Wire location as shown in drawing
- Circuit Diagram



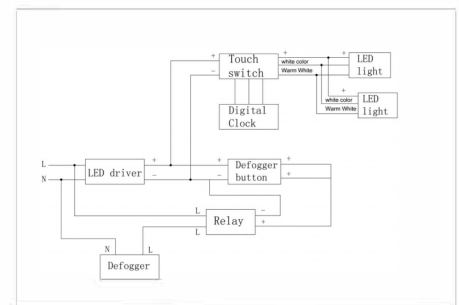
Front view



Side view



Back view for electrical knockout location



Circuit Diagram