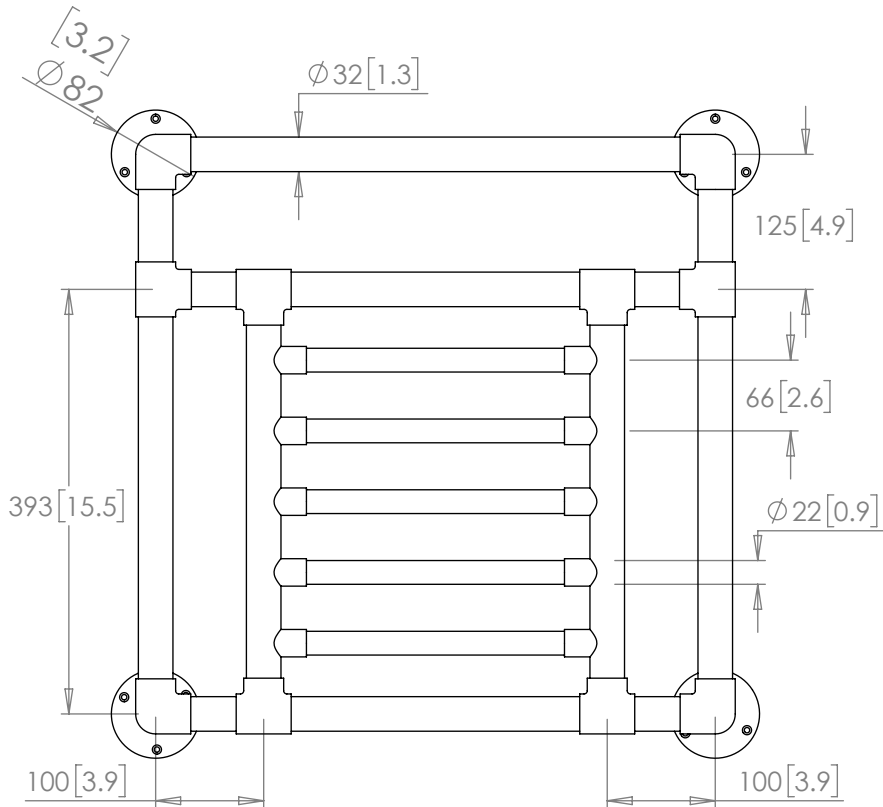
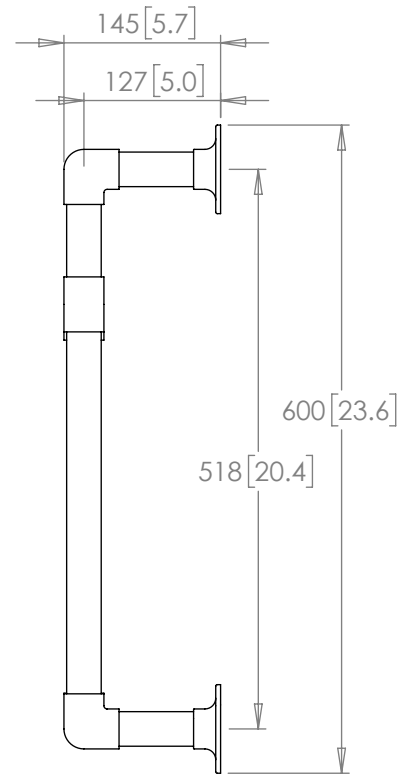
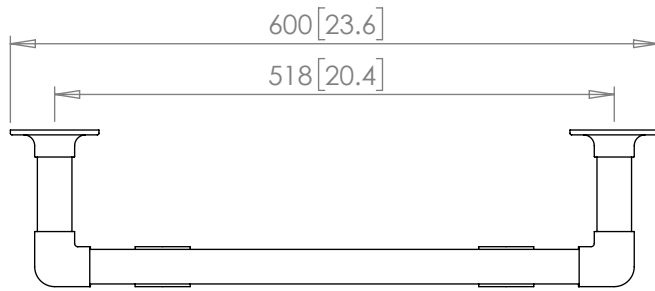
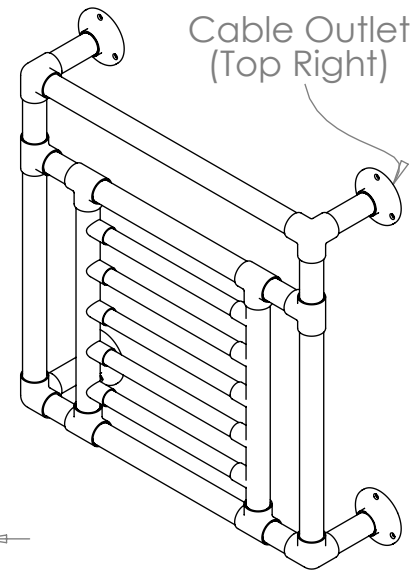


**COOKLEY 8 RAIL**  
**COOK-8-E-600-600-XX**

17 July 2023

- |                                  |                                    |
|----------------------------------|------------------------------------|
| <b>UB</b> - UNLACQUERED BRASS    | <b>BB</b> - BRUSHED BRASS          |
| <b>CP</b> - POLISHED CHROME      | <b>BC</b> - BRUSHED CHROME         |
| <b>NP</b> - POLISHED NICKEL      | <b>BN</b> - BRUSHED NICKEL         |
| <b>LB</b> - LIGHT ANTIQUE BRONZE | <b>LAB</b> - LIGHT ANTIQUE BRONZE  |
| <b>MB</b> - MEDIUM BRONZE        | <b>MAB</b> - MEDIUM ANTIQUE BRONZE |
| <b>DB</b> - DARK BRONZE          | <b>DAB</b> - DARK ANTIQUE BRONZE   |
| <b>GP</b> - GOLD PLATED          | <b>BG</b> - BRUSHED GOLD           |
| <b>GM</b> - GUN METAL            | <b>AG</b> - ANTIQUE GOLD           |
| <b>MWP</b> - MATT WHITE P.COAT   | <b>MBP</b> - MATT BLACK P.COAT     |



**THE STERLINGHAM** CO. LTD.

SCALE: 1:8 | APPROX WEIGHT 6.54KG

MANUFACTURED FROM BRASS

Units 2 & 2A Stamford Street  
 Amblecote, Stourbridge,  
 Worcestershire  
 England, DY8 4HR

Telephone : 01384 370901  
 Fax : 01384 880159  
 sales@sterlingham.co.uk  
 USsales@sterlingham.co.uk  
 www.sterlingham.co.uk



Handmade  
*in the heart of*  
 BRITAIN