

# artos<sup>®</sup>

## C06090W

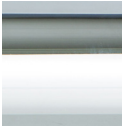
## INSTALLATION GUIDE

cadiz towel warmer,  
hardwired

BRUSHED NICKEL(BN)



CHROME(CH)



POLISHED NICKEL(PN)



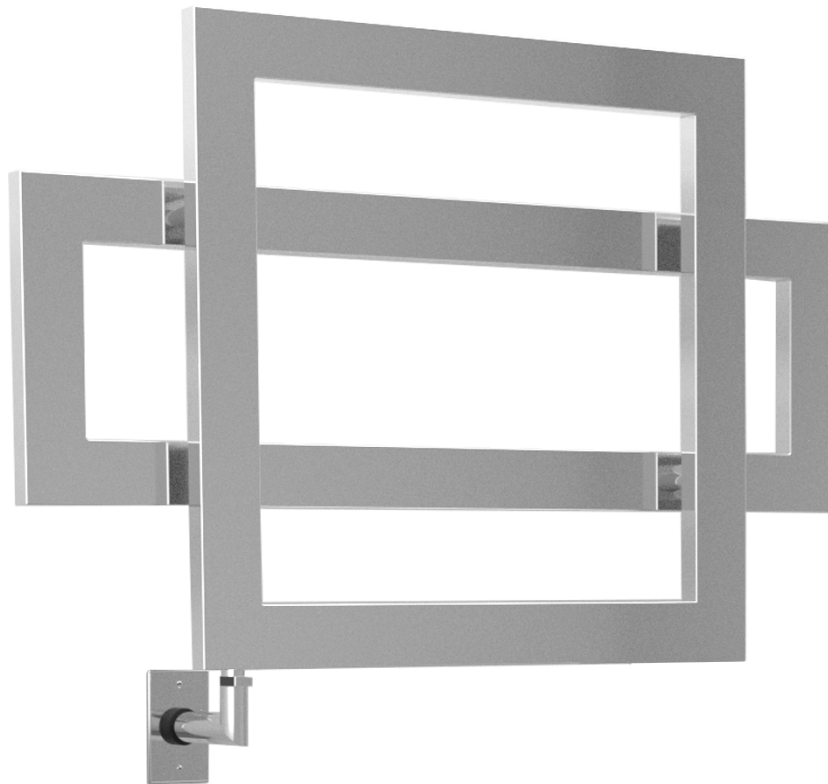
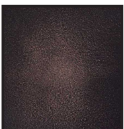
BLACK(BK)



WHITE(WH)



OIL-RUBBER BRONZE(OB)

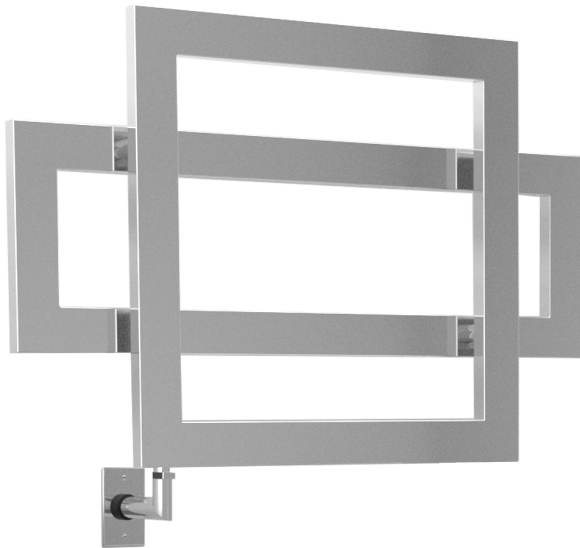


# artos<sup>®</sup>

C06090W

cadiz towel warmer,  
hardwired

## OPERATING SPECIFICATIONS



### FEATURES

Towel warming, drying and auxiliary heating.

### ELEMENT

300W, 110V

### CODES

UL Approved  
CSA-US Approved

### REQUIREMENTS

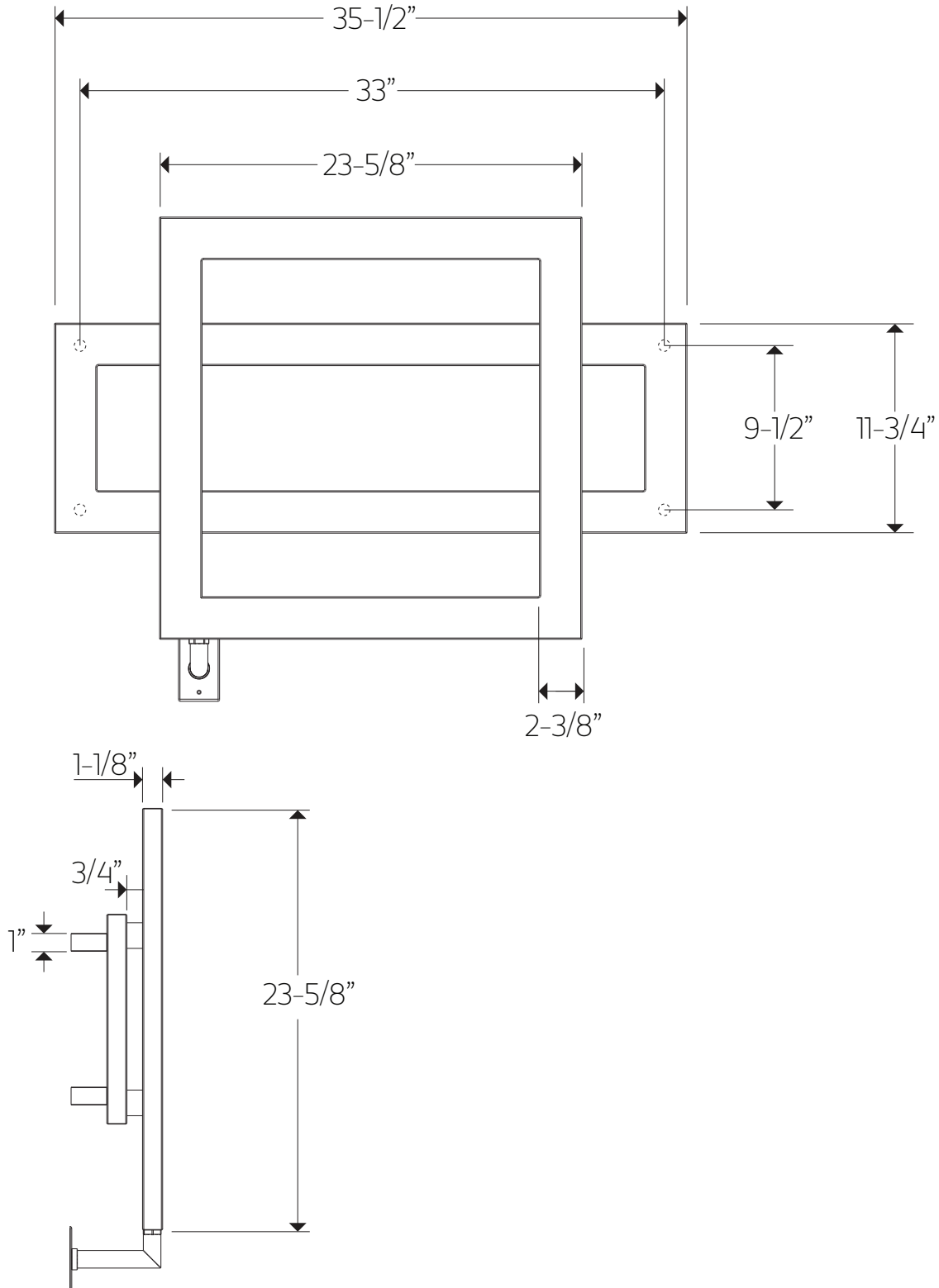
The towel warmer must be installed so that the Element is at the bottom.

# artos<sup>®</sup>

C06090W

## PRODUCT DIMENSIONS

cadiz towel warmer,  
hardwired



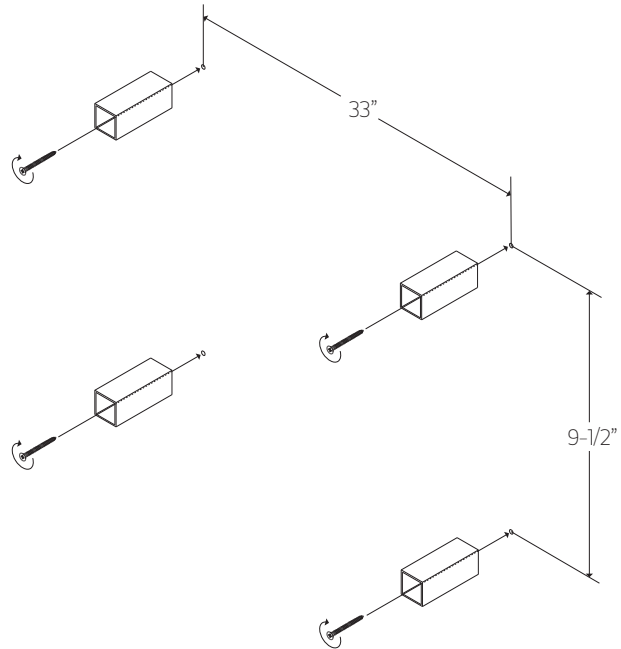
# artos<sup>®</sup>

## C06090W

cadiz towel warmer,  
hardwired

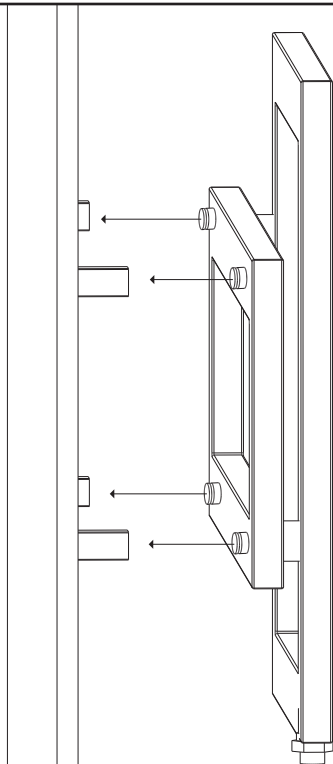
### STEP 1

**\*ALL DIMENSIONS ARE APPROXIMATE. PLEASE MEASURE UNIT BEFORE INSTALLATION**



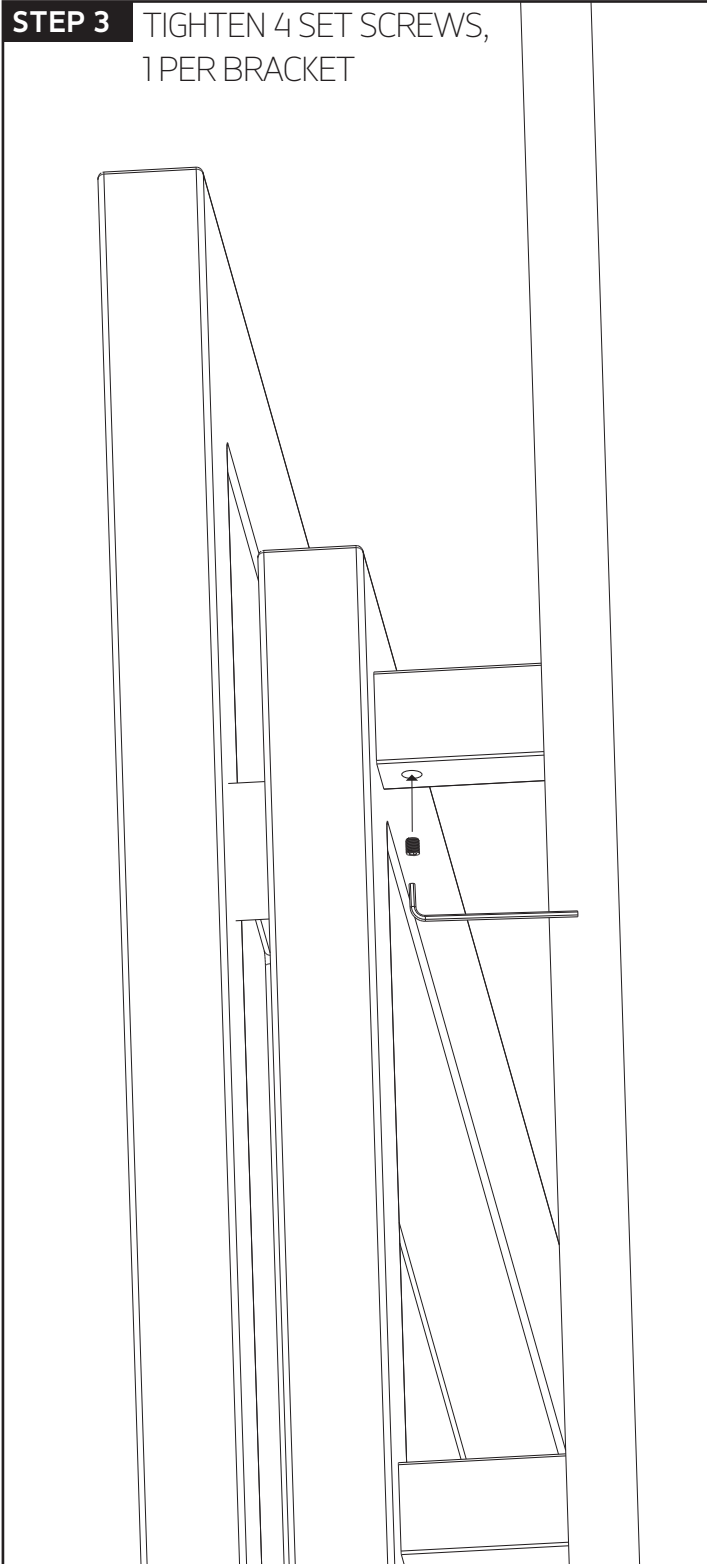
WE RECOMMEND THAT  
AT LEAST 2 OF THE  
WALL BRACKETS ARE  
SECURED INTO A STUD  
OR BACKER

### STEP 2

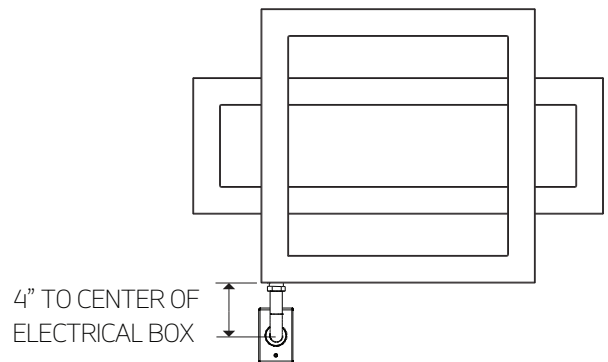
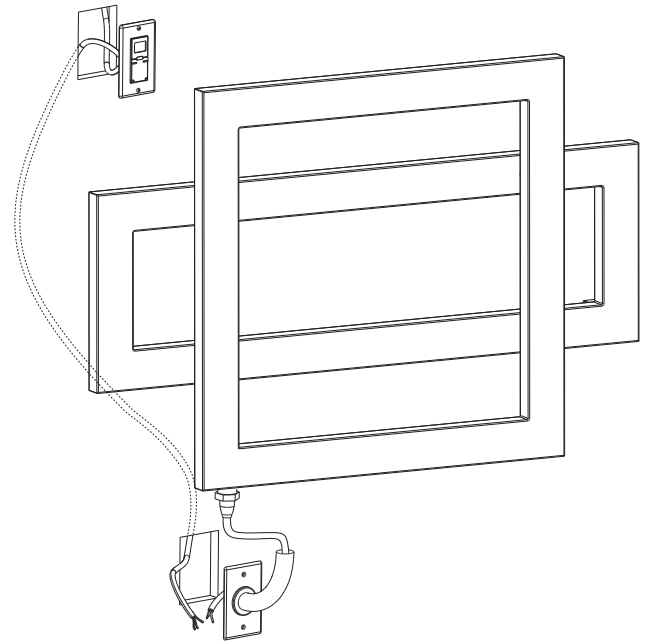


# INSTALLATION STEPS

**STEP 3** TIGHTEN 4 SET SCREWS,  
1 PER BRACKET



**STEP 4**



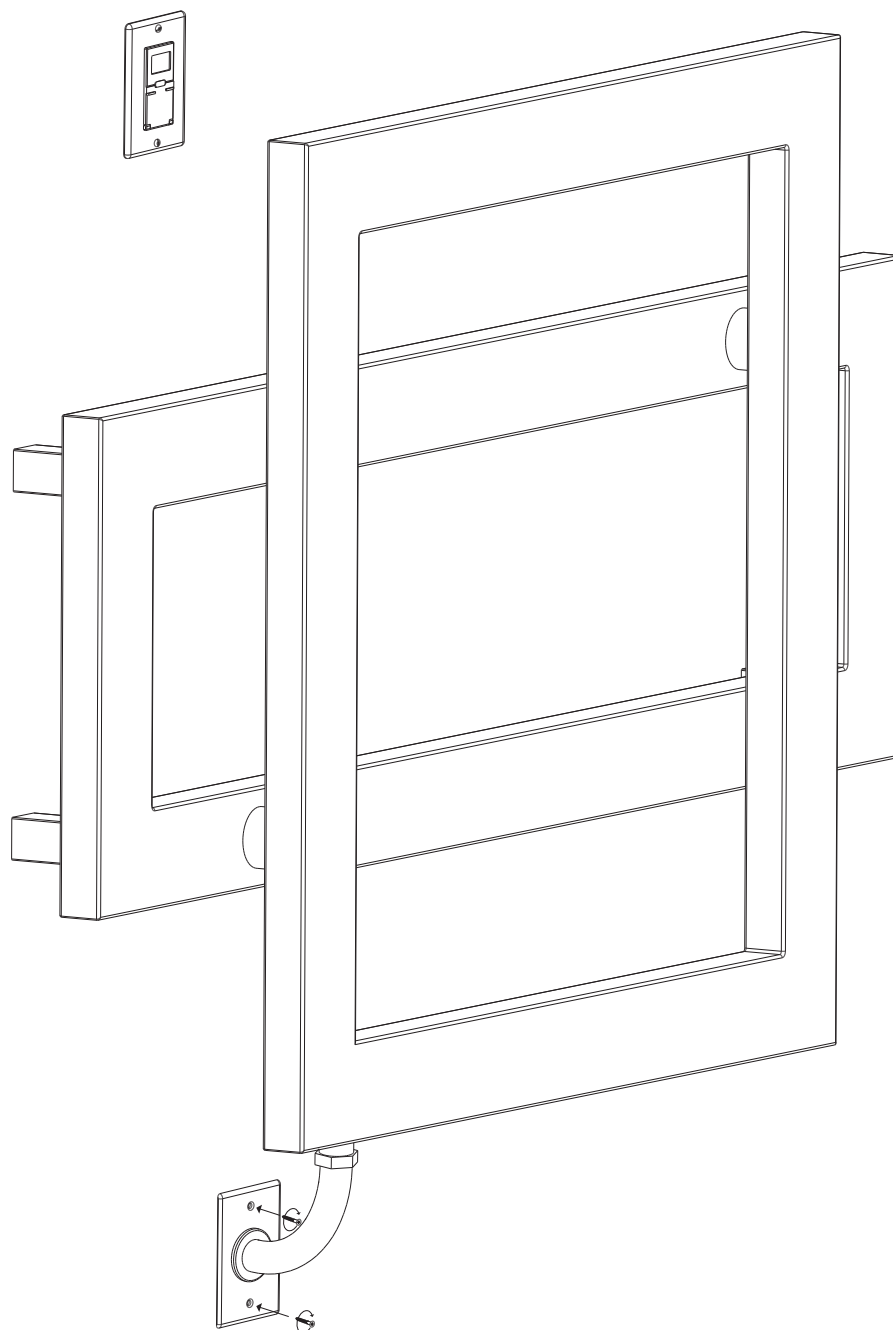
# artos<sup>®</sup>

C06090W

**INSTALLATION STEPS**

cadiz towel warmer,  
hardwired

**STEP 5**

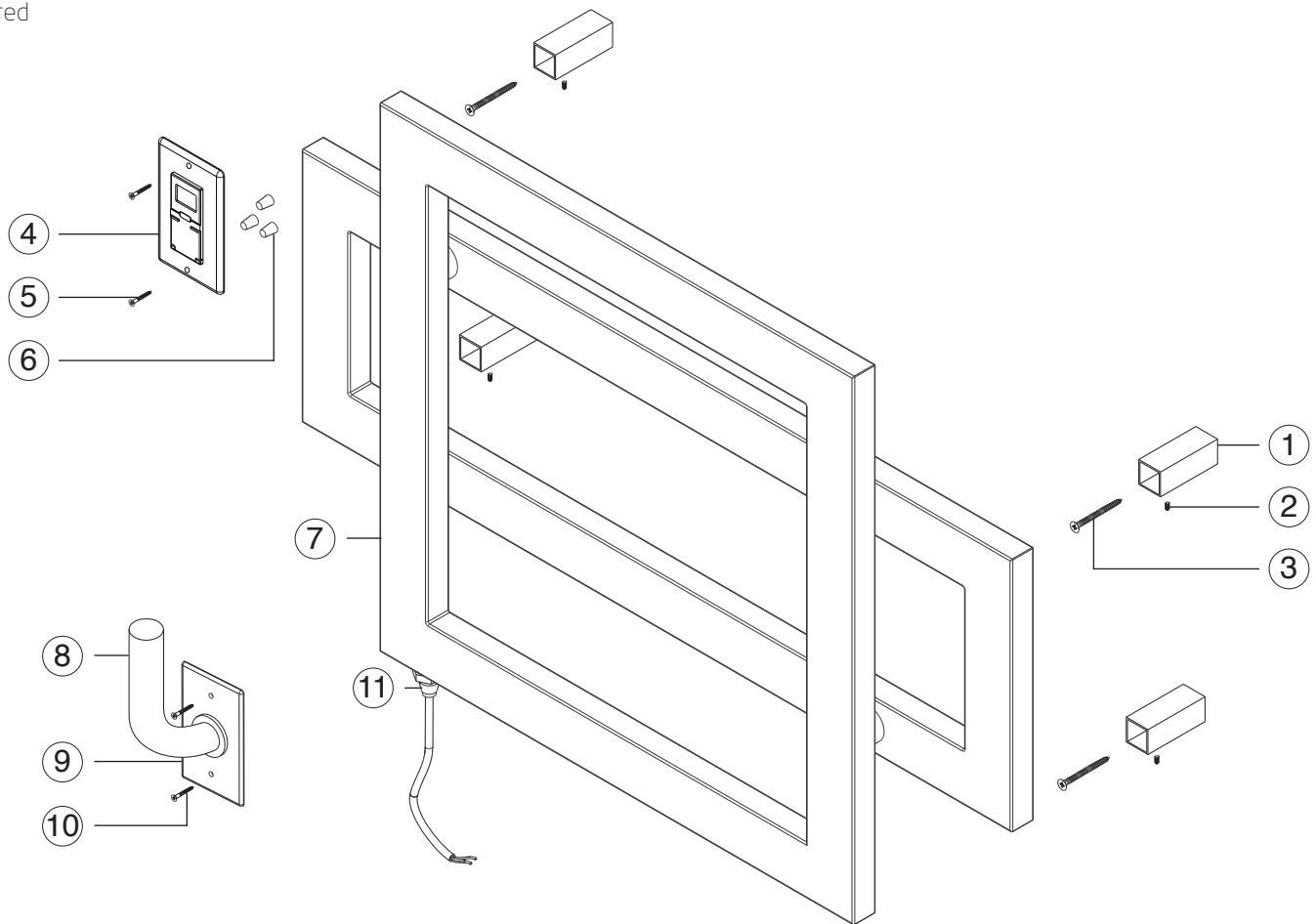


# artos<sup>®</sup>

## C06090W

## PARTS BREAKDOWN

cadiz towel warmer,  
hardwired



- ① **WALL BRACKET(4)** C06090W XP1
- ② **WALL BRACKET SET SCREW(4)** C06090W XP2
- ③ **WALL BRACKET SCREW(4)** C06090W XP3
- ④ **TIMER** C06090W XP4
- ⑤ **TIMER SCREWS(2)** C06090W XP5
- ⑥ **WIRE NUTS(3)** C06090W XP6
- ⑦ **TOWEL WARMER** C06090W XP7
- ⑧ **ELBOW** C06090W XP8
- ⑨ **BACKPLATE** C06090W XP9
- ⑩ **BACKPLATE SCREWS(2)** C06090W XP10
- ⑪ **ELEMENT** C06090W XP12

# artos<sup>®</sup>

C06090W

cadiz towel warmer,  
hardwired

## CARE & MAINTENANCE

For best results, keep the following in mind to retain the high quality finish of your artos<sup>®</sup> towel warmer:

- Use a soft, dampened sponge or cloth. On no account should you use an abrasive material such as a brush, scouring pad or steel wool to clean surfaces.
- Test your cleaning agent solution on an inconspicuous area before applying to the entire faucet.
- Wipe surfaces clean and rinse completely with water immediately after applying cleaning agent.
- An ideal cleaning technique is to rinse faucet thoroughly and blot dry any water from the surface after each use.

## LIMITED WARRANTY

**artos<sup>®</sup> towel warmers are guaranteed for five years against finishing defects and one year for the element as the original purchaser owns it.**

Damage caused by accident, misuse, abuse, improper installation, improper cleaning or alteration will void the warranty. This warranty does not cover replacement parts where damage is caused by normal wear and tear. Westover, Inc is not responsible for labor charges, installation or other incidental or consequential costs. Proof of purchase must be provided with all claims.

Please register this product online at [WWW.ARTOS.US.COM](http://WWW.ARTOS.US.COM)

ITEM NO. **C06090W**  
SERIAL NO.